

This document is the property of Amphenol Corporation and is delivered on the express condition that it is not to be distributed, reproduced or used, in whole or in part, for any purpose other than that for which it was originally prepared or for use as any information in this document. Its right is granted as stipulated.

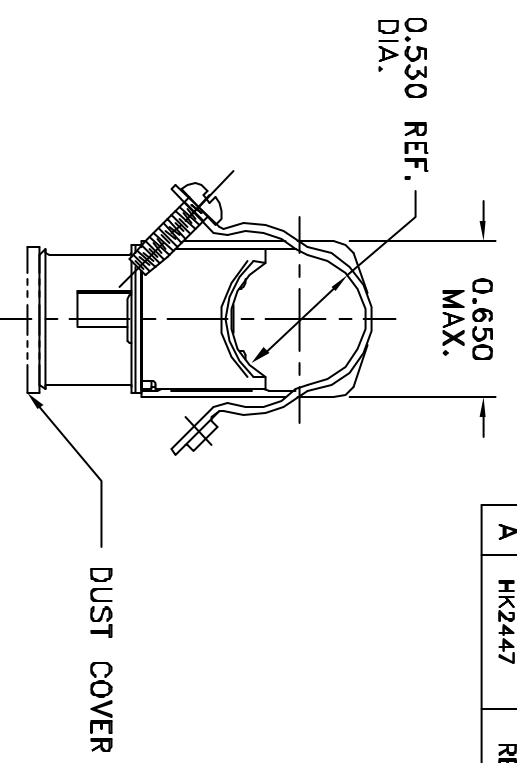
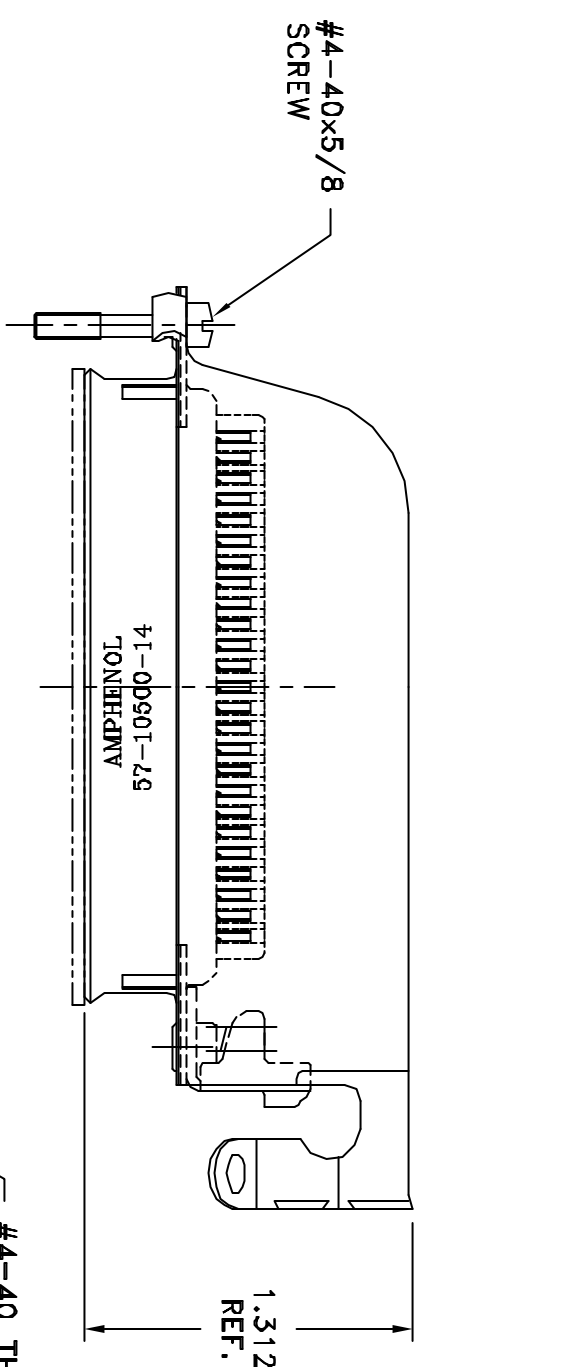


TABLE 1

| CONNECTOR SIZES | AVERAGE MATING FORCE (POUNDS) |
|-----------------|-------------------------------|
| 14 | 5 |
| 24 | 8 |
| 38 | 12 |
| 50 | 15 |
| 64 | 19 |

SPECIFICATIONS:

- 1) SOLDER CUP CONTACT: TO ACCOMMODATE 22-30 AWG SOLID AND 24-30 STRANDED CONNECTOR WIRES.
- 2) DIELECTRIC: DIALYL-PHTHALATE PER MIL-M-14F TYPE MDG UL-94V0
- 3) CONTACT MATERIAL: COPPER ALLOY
- 4) CONTACT: 20 MICRO-INCHES MIN. GOLD MATING AREA. 3-5 MICRO-INCHES GOLD TERMINAL AREA. 50 MICRO-INCHES MIN. NICKEL UNDERPLATING ALL OVER.
- 5) SHELL MATERIAL: ZINC PLATED STEEL WITH CLEAR CHROMATE COATING
- 6) CURRENT CAPACITY: 5 AMPS/CONTACT
- 7) VOLTAGE RATING: 700 VOLTS D.C. AT SEA LEVEL
200 VOLTS D.C. AT 70,000 FEET
- 8) INSULATION RESISTANCE: >5000 M OHM
- 9) DIELECTRIC WITHSTANDING VOLTAGE: 1200 VAC (RMS) AT SEA LEVEL
- 10) CONNECTOR MATING FORCE: REFER TO TABLE 1.

- 11) CONTACT RETENTION FORCE: 2 LBS MAX.
- 12) DURABILITY: 250 CYCLES MIN.
- 13) VIBRATION: NO INTERRUPTIONS < 1u SEC.
- 14) OPERATING TEMPERATURE: -55°C TO +105°C (-67°F TO +221°F)
- 15) Material should be fulfilled Amphenol Spec# SSN001.

CUSTOMER INFORMATION DRAWING

| | | | |
|---------------------------------------|---------------------------|--|--------------|
| ITEM NO | PART OR IDENTIFICATION NO | NOMENCLATURE OR DESCRIPTION | QTY REQ'D |
| PARTS LIST | | | |
| UNLESS OTHERWISE SPECIFIED TOLERANCES | | APPROVAL | DATE |
| U.S. METRIC | | Y.M. LEE | 1/08/03 |
| X +/- 0.020 | | CHECKED | Y.M. LEE |
| XX +/- 0.010 | | CHECKED | |
| XXX +/- 0.005 | | DRAWING FILE: \DRAWING\57\057105001.ADWG | |
| ANGLES +/- .1° | | ANGLE OF PROJECTION | |
| FOR MATERIALS AND FINISHES SEE NOTES | | REMOVE SHARP EDGES | |
| DIMENSIONS | | TITLE | |
| U.S. INCHES | | 50 CONTACT PLUG ASSEMBLY | |
| —(METRIC)— —(MM)— | | RUNNING CABLE 1-26 END | |
| | | HIGH BARRIER, DUST COVER | |
| | | SIZE | DRAWING NO. |
| | | A3 | C57-10500-14 |
| | | SCALE | NONE |
| | | | SHEET 1 OF 1 |
| | | | REV. A |

X-ON Electronics

Largest Supplier of Electrical and Electronic Components

Click to view similar products for [I/O Connectors](#) category:

Click to view products by [Amphenol](#) manufacturer:

Other Similar products are found below :

[571763P](#) [58098-0628](#) [61-168618-12P](#) [D38999/20FJ24PA L/C](#) [D38999/20FJ29SB L/C](#) [D38999/24FG11SN L/C](#) [72.250.1628.2](#) [72.250.2428.2](#)
[74720-0505](#) [76.350.0729.0](#) [76871-1403](#) [FCN-244F080-G/1](#) [FCN-260A9920](#) [FCN-268D024-G/2F#10X-R10](#) [PCS-E50FA](#) [PCS-XE26LKA](#)
[PCS-XE26MA+](#) [PCS-XES68MS+](#) [G38A71314B](#) [91-569719-35R](#) [9776-18-6](#) [DX40-50P\(55\)](#) [1571250010](#) [157-22500-3](#) [MS3476W12-10S](#)
[L/C](#) [1888020-8](#) [91-569786-35H](#) [91-569786-35M](#) [91-644626-35P](#) [172501-4002](#) [172501-6002](#) [FCN-260C008-A/L0](#) [FCN-260C024-AL0](#)
[FCN-261Z008](#) [FCN-268D008-G/1K](#) [2000314-1](#) [200331-1](#) [2007498-2](#) [PCR-E28LMDAG1+](#) [PCR-E36FC+](#) [PCS-E28FS+](#) [PCS-XE26SLFD+](#)
[PCS-XE26SLFDT+](#) [G38A71214B](#) [HDRA-E68W1LFDTC-SL+](#) [HDR-E14MSG1+](#) [R88A-CNK81S](#) [CRT1-ATT02](#) [54182-0605](#)
[U90B2054081210](#)