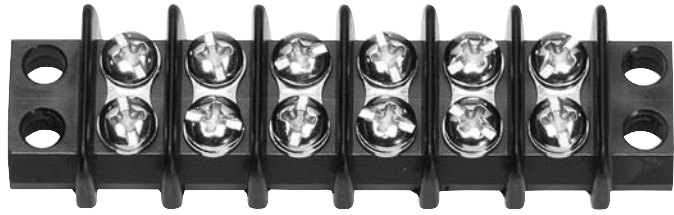


Double Row Terminal Blocks

Kulka® 600 GP Series

300 Volts



Specifications:

- Base, Phenolic, 150° C
- JJ (GDI-30F) Material Available
- Open Back Design (Insulator Strip Required for Voltage Rating)
- Screws, #5-40 Binder Head, Phil-Slot
- Terminals, Plated Brass
- 1-22 Poles
- The Suitability Of These Devices For Greater Currents Shall Be Determined In The End-Use Application
- 3/8" Centers
- Wire Range With Wire Binding Screw #12-#22 AWG – 15 Amps
- UL Recognized File No. E47811
- CSA Certified File No. LR19766
- CE

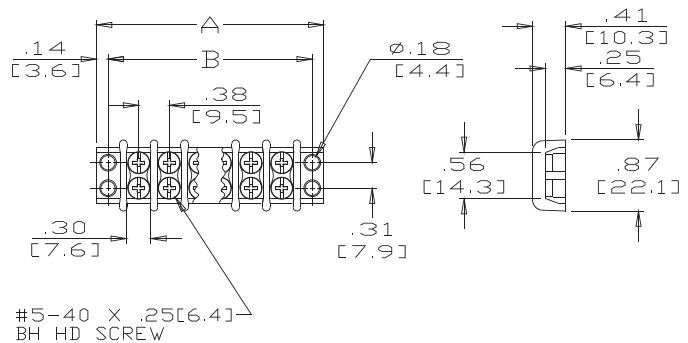
Catalog #	# of poles	Dimensions	
		A	B
600 GP 01	1	1.03	0.75
600 GP 02	2	1.41	1.13
600 GP 03	3	1.78	1.50
600 GP 04	4	2.16	1.88
600 GP 05	5	2.53	2.25
600 GP 06	6	2.91	2.63
600 GP 07	7	3.28	3.00
600 GP 08	8	3.66	3.38
600 GP 09	9	4.03	3.75
600 GP 10	10	4.41	4.13
600 GP 11	11	4.78	4.50

Catalog #	# of poles	Dimensions	
		A	B
600 GP 12	12	5.16	4.88
600 GP 13	13	5.53	5.25
600 GP 14	14	5.91	5.63
600 GP 15	15	6.28	6.00
600 GP 16	16	6.66	6.38
600 GP 17	17	7.03	6.75
600 GP 18	18	7.41	7.13
600 GP 19	19	7.78	7.50
600 GP 20	20	8.16	7.88
600 GP 21	21	8.53	8.25
600 GP 22	22	8.91	8.63

Top Mounted Hardware is .187" Wide
MM = Dim X 25.4

Hardware Options: (Hardware options may affect ratings - consult factory)

KT 19	=	Full Quick Connect (0° flat)	See Page 93
KT 20	=	Full Quick Connect (45° Bend)	See Page 93
KT 21	=	Full Quick Connect (90° Bend)	See Page 93
ST	=	Full Solder	See Page 94
J 600	=	Line to Line Jumper	See Page 96
600 RJ(S)	=	Multiple Position Jumper	See Page 96
3/4 ST	=	Half Solder	See Page 94
KT 25	=	Half Quick Connect (0° Flat)	See Page 93
KT 26	=	Half Quick Connect (45° Bend)	See Page 93
KT 27	=	Half Quick Connect (90° Bend)	See Page 93
Y	=	Feed Thru Solder (.312)	See Page 95
YSY	=	Feed Thru Solder (.500)	See Page 95
Z	=	Lug Over the Side (.625)	See Page 95
2004	=	Feed Thru Solder	See Page 98



X-ON Electronics

Largest Supplier of Electrical and Electronic Components

Click to view similar products for [marathon manufacturer](#):

Other Similar products are found below :

[104](#) [599-GP-2004-10](#) [600-2004-3-SP](#) [600-GP-20](#) [600TS-10](#) [601-GP-2102-02](#) [601-GP-3/4ST-12](#) [601-GPYSY-03](#) [601-JJ-06](#) [602-GPYSY-22](#)
[603-2302-04](#) [603-JJ-04](#) [603-JJ-07](#) [604-JJ-06](#) [605-GP-03SLB](#) [605-JJ-02](#) [651-XPR-13](#) [670-3/4ST-9](#) [670A-GP-3000-18](#) [670A-GP-3000-25](#)
[670A-GP-3000-27](#) [670A-GP-3/4ST-10](#) [670-GP-19](#) [CW205-01C](#) [671-RZ-25](#) [672-GPY-05](#) [672-RZ-24](#) [699-GP-2102-08](#) [699-GP-2120-12](#)
[6F30A3S](#) [6H38-TSKK-C](#) [6R30A3SP](#) [F600A1B](#) [F600A3B](#) [F60A1B](#) [799-6-KT28](#) [799-7-KT28](#) [FPB33588](#) [8TBJ02](#) [R30A1B](#) [RF400A3B](#)
[1321970](#) [1322970CH](#) [1320972](#) [1331955](#) [1332270](#) [1332554CH](#) [1333280CH](#) [1333575CH](#) [1353701](#)