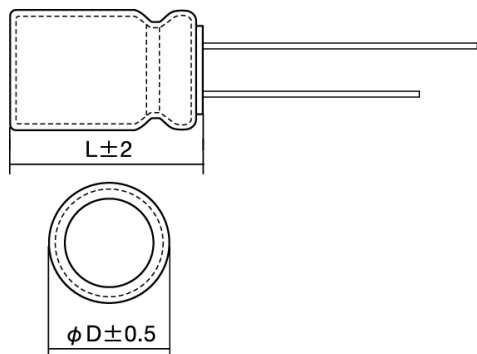


Cylinder Type Lithium Ion Capacitors

LIC2540R3R8277



■ Features

- Item Summary
3.8V, 2.2V, 270F±20%, Less than 0.05Ω
- Lifecycle Stage
Mass Production

■ Products characteristics table

Temperature Range	-25 to +60°C
Maximum Usable Voltage	3.8V
Min. Voltage	2.2V
Nominal Capacity	270F
Internal Resistance	0.05Ω
Initial Capacitance	270F±20%
Initial Internal Resistance	Less than 0.05Ω
RoHS Compliance	Yes
Soldering Method	Manual

2015.03.10

The data is reference only. Electrical characteristics vary depending on environment or measurement condition.
 TAIYO YUDEN reserves the right to make change to the Date at any time without notice.
 Before making final selection, please check product specification.

X-ON Electronics

Largest Supplier of Electrical and Electronic Components

Click to view similar products for [Supercapacitors](#) / [Ultracapacitors](#) category:

Click to view products by [Taiyo Yuden](#) manufacturer:

Other Similar products are found below :

[DCK-3R3E224U-E](#) [C-TEC2403-1](#) [CEM2](#) [KW-5R5C105H-R](#) [KW-5R5C224H-R](#) [KR-5R5C105H-R](#) [DBJ-5R5D105T](#) [DXJ-5R5H334U](#) [DSK-3R3H703T414-HRL](#) [DHL-5R5D224GT](#) [LX055105A](#) [LT055105A](#) [SCCY73B407SLBLE](#) [VPF127M3R8](#) [VPF706M3R8](#) [VMF706M3R8](#) [VMF506M3R8](#) [VPF506M3R8](#) [VMF306M3R8](#) [VPF227M3R8](#) [VMF227M3R8](#) [VMF127M3R8](#) [DB5U207M30045HA](#) [DH5U128W60074TH](#) [DRE10/2.5](#) [DRL106S0TI25RRDAP](#) [DRL226S0TK25RR](#) [106DCN2R7M](#) [SCCR20B335SRB](#) [SCCS30B106SRB](#) [SCCT30B156SRB](#) [SCCU30B306MRB](#) [SCCW45B107VSB](#) [SCMR14C474MSBA0](#) [SCMR22C155MRBA0](#) [SCMR22C155MSBA0](#) [SCMS22C255MRBA0](#) [SCMT22C505MRBA0](#) [SCMT32C755MRBA0](#) [DRL475S0TG20RRDAP](#) [FT0H225ZF](#) [FCS0H224ZFTBR24](#) [FR0H473ZF](#) [GS206F](#) [DS5U506M18040BB](#) [SCCV40B506MRB](#) [NEXT474Z5.5V16.5X13F](#) [DBJ-5R5D224T](#) [DB-5R5D155T](#) [GW209F](#)