

Bleecon L1904A connectors

These multipole shielded connectors incorporating a push-pull locking system are designed to meet fully the requirements of both the equipment manufacturer and the equipment user. The design innovations incorporated make the Belling-Lee Bleecon connector one of the most versatile, reliable and attractive connectors available.

Available in 3, 4, 5, 6, 7 and 8 pole configurations. The mating face details meet DIN 45329 and IEC 130-9 specifications.

Moisture proof versions provide protection to IEC 68-2-17 Test QF 'Driving Rain' specification.

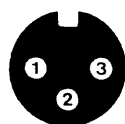
Electrical specification

Current rating:	2 A d.c. or a.c.r.m.s. (temperature rise $\leq 5^\circ\text{C}$)
Voltage rating:	All layouts withstand a test voltage of 1.5 kV a.c. r.m.s. for 1 minute without breakdown of failure.
Contact resistance:	5 milliohms maximum
Housing (shell) continuity:	10 milliohms maximum
Insulation resistance:	10^3 megohms minimum
Temperature range:	-25°C to $+70^\circ\text{C}$ (suitable for steam sterilisation)
Engaging force:	Not more than 7 N per pole
Separating force:	Not less than 1 N per pole
Cable retention (pull):	≥ 30 N for 100 seconds
Cable diameter:	7 mm diameter maximum

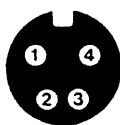
All plastic parts are made from non-flammable materials recognised by the US Underwriters Laboratory to category 94V-1.

Contact identification

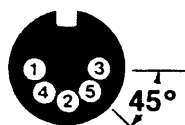
Viewed on plug mating face



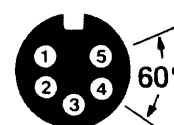
3 pole



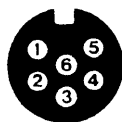
4 pole



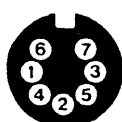
5 pole
45° contact spacing



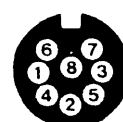
5A pole
60° contact spacing



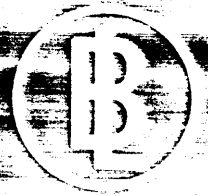
6 pole



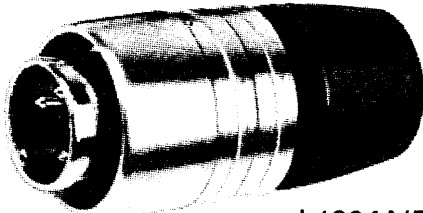
7 pole



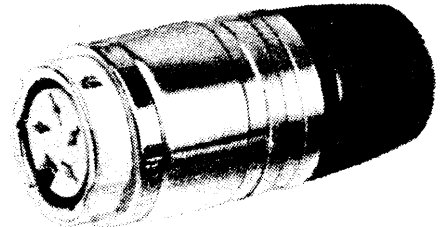
8 pole



Free plug and free socket



L1904A/FP



L1904A/FS

Materials

Body:	Zinc alloy, nickel-plated
Clamping nut:	Noryl
Plug insulator:	Polypropylene and glass filled nylon
Receptacle insulator:	Glass filled nylon
Contact material:	Brass, silver-plated
Contact termination:	Solder buckets or crimp* (plug only) For crimp version see page

*FP plugs may be crimped using Erma Buchanan Tool No. 612118 with Locator No. 600253.

KFP Plugs require separate contacts L2194 suitable for automatic crimping

Ordering reference:

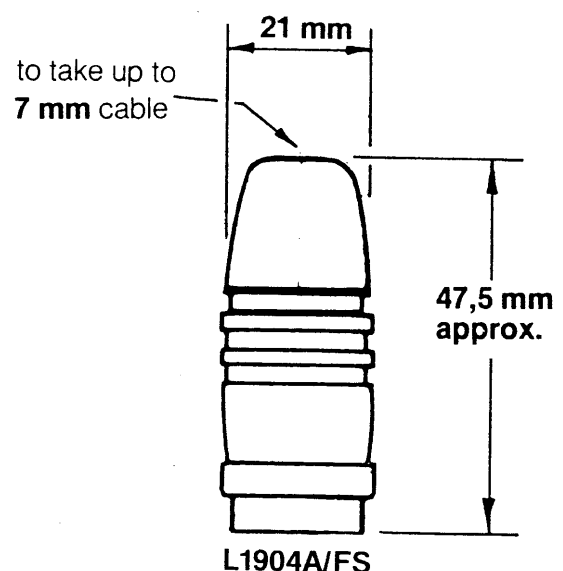
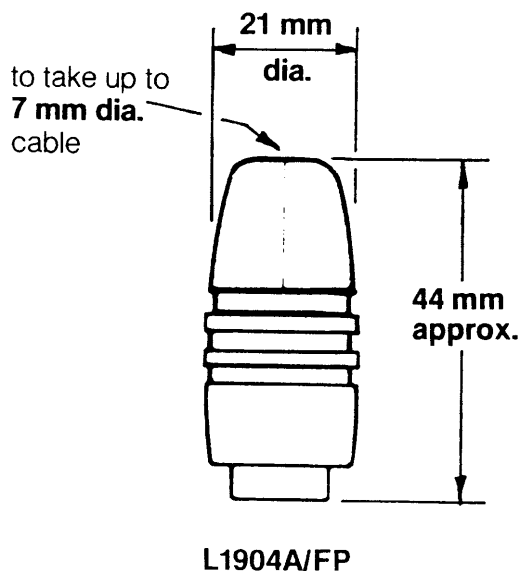
Free plug: L1904A*/FP or KFP

*Number of poles

Free socket: L1904A*/FS

*Number of poles

Example: L1904A/5/FP is a Bleecon free plug with 5 poles 40° spacing.
L1904A/8/FS is a Bleecon free socket with 8 poles.



X-ON Electronics

Largest Supplier of Electrical and Electronic Components

Click to view similar products for [belling lee manufacturer](#):

Other Similar products are found below :

[123984R](#) [003846CM](#) [124104AM](#) [L1744A](#) [L2006A](#) [124054X](#) [124064G](#) [REF-H](#) [L2143/6/L](#) [L1349/FP](#) [L1350/NI](#) [L1904C/8/CS](#) [L1790A](#)
[L693/3](#) [L754/2](#) [003722EM](#) [124102EM](#) [L1792A](#) [REF-02](#) [SF2032-6/01](#) [L1317/BLACK](#) [L1382/H](#) [L2225](#) [L1318/BLACK](#) [L309/1/RED](#)
[L1904C/6/CS](#) [L1904A/6/FP](#) [Y9236](#) [L1904A/8/FS](#) [L1904A/8/FP](#) [L1904C/7/PCR](#) [L2224](#) [L1904C/4/CS](#) [L2180](#) [L1568/1/RED](#) [L1639B/NI](#)
[REF-06](#) [REF-11](#) [REF-F](#) [L1001/1/BLACK](#) [L1436A/P](#) [L1436B/S](#) [L1465/RPCS](#) [L1793A](#) [L1850/1/GREEN](#) [L1850/1/RED](#) [L1896A/GREEN](#)
[L1896A/RED](#) [L1904A/5A/FP](#) [L1904A/5/FP](#)