

# Product Data Sheet



## 671 GP XX Std

Replace "XX" with 01 through 30 for number of poles  
**Terminal Block– Closed Back**  
**20 Amps, 250 Volts (AC/DC)**



(6 Pole shown)

### Copper Wire Only

Wire Range with Wire Binding Screw: #12 - #22 AWG

7/16" Centers

Application torque: 9 in. lbs

### Electrical Ratings:

- 20A with Listed ring lug or unprepared wire, (Based on NEC Table 310-16, 75°C columns)
- 250 Volts AC/DC (UL 1059 Class B, User Group – Commercial Appliances)
- Short Circuit Current Rating: 10,000A (Default)
- Approved for Factory and Field Wiring.

### Mechanical Ratings:

- Storage and transportation temperature range: -35°C to 110°C (-31°F to 230°F)\*
  - Maximum insulator base temperature: 150°C (302°F)\* UL RTI
  - Flammability rating of insulator base: UL 94V-1
- \* Use outside these ratings needs to be judged in the end-use application.

### Materials:

- Connector (Contact): Brass, tin plated.
- Insulator base: Phenolic
- Drive screw (Rivet): Stainless steel
- Screw, #6-32 Binder head, Phil-Slot: Steel, nickel plated

### Agency Approvals:

- UL Recognized, UL 1059 Terminal Block Standard, File No. XCFR2.E62806
- CSA Certified, CSA C22.2 No. 158, File No. LR19766
- CE compliant, IEC 60947-7-1
- RoHS Compliant

## Wire Range:

Wire Size	Torque	Copper Wire Stranding Classes - Number of Strands		
		Solid	Class B	Class C
12	9 in. Lbs	1	7	19
14	9 in. Lbs	1	7	19
16	9 in. Lbs	1	7	19
18	9 in. Lbs	1	7	19
20	9 in. Lbs	1	7	19
22	9 in. Lbs	1	7	19

Suggested product mounting hardware: #6 fastener, torque to 10-15 in. lbs.

## ACCESSORIES:

- Printing (for printing options, see Terminal Block Printing on website)

- Marking strips - sub mounted, black only (FB) (For Printing Options, see section on website)

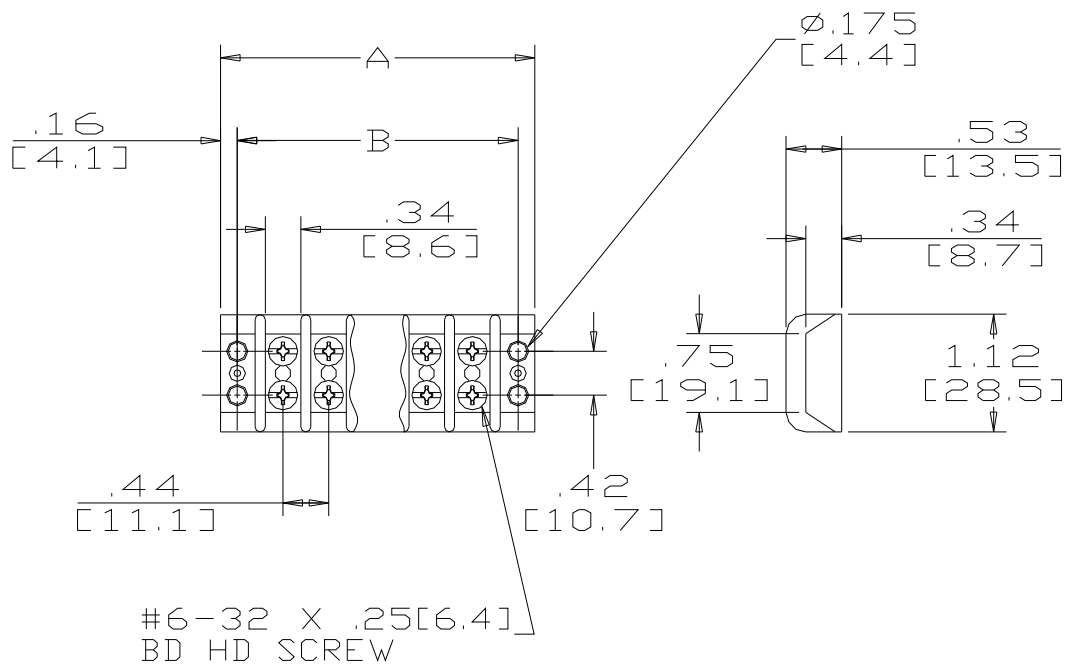


- Marking strips – top mounted, white only (SW)

- Cover – top mounted. Order CW (white) or CB (Black). Can be printed. See website.



- Phil-Slot Brass Screw (PSB)



Catalog No	# of Poles	Dimensions		X	Catalog No	# of Poles	Dimensions	
		A	B				A	B
671 GP 01	1	1.19	0.88	X	671 GP 16	16	7.75	7.44
671 GP 02	2	1.62	1.31	X	671 GP 17	17	8.19	7.88
671 GP 03	3	2.06	1.75	X	671 GP 18	18	8.62	8.31
671 GP 04	4	2.50	2.19	X	671 GP 19	19	9.06	8.75
671 GP 05	5	2.94	2.63	X	671 GP 20	20	9.50	9.19
671 GP 06	6	3.37	3.06	X	671 GP 21	21	9.93	9.62
671 GP 07	7	3.81	3.50	X	671 GP 22	22	10.37	10.06
671 GP 08	8	4.25	3.94	X	671 GP 23	23	10.81	10.50
671 GP 09	9	4.68	4.37	X	671 GP 24	24	11.24	10.93
671 GP 10	10	5.12	4.81	X	671 GP 25	25	11.68	11.37
671 GP 11	11	5.56	5.25	X	671 GP 26	26	12.12	11.81
671 GP 12	12	5.99	5.68	X	671 GP 27	27	12.55	12.24
671 GP 13	13	6.43	6.12	X	671 GP 28	28	12.99	12.68
671 GP 14	14	6.87	6.56	X	671 GP 29	29	13.43	13.12
671 GP 15	15	7.31	7.00	X	671 GP 30	30	13.86	13.55

MM = Dim X 25.4

[WWW.MARATHONSP.COM](http://WWW.MARATHONSP.COM)  
1-419-352-8441

PDS 0243 REV A 2/21/08

## X-ON Electronics

Largest Supplier of Electrical and Electronic Components

*Click to view similar products for [marathon manufacturer](#):*

Other Similar products are found below :

[104](#) [599-GP-2004-10](#) [600-2004-3-SP](#) [600-GP-20](#) [600TS-10](#) [601-GP-2102-02](#) [601-GP-3/4ST-12](#) [601-GPYSY-03](#) [601-JJ-06](#) [602-GPYSY-22](#)  
[603-2302-04](#) [603-JJ-04](#) [603-JJ-07](#) [604-JJ-06](#) [605-GP-03SLB](#) [605-JJ-02](#) [651-XPR-13](#) [670-3/4ST-9](#) [670A-GP-3000-18](#) [670A-GP-3000-25](#)  
[670A-GP-3000-27](#) [670A-GP-3/4ST-10](#) [670-GP-19](#) [CW205-01C](#) [671-RZ-25](#) [672-GPY-05](#) [672-RZ-24](#) [699-GP-2102-08](#) [699-GP-2120-12](#)  
[6F30A3S](#) [6H38-TSKK-C](#) [6R30A3SP](#) [F600A1B](#) [F600A3B](#) [F60A1B](#) [799-6-KT28](#) [799-7-KT28](#) [FPB33588](#) [8TBJ02](#) [R30A1B](#) [RF400A3B](#)  
[1321970](#) [1322970CH](#) [1320972](#) [1331955](#) [1332270](#) [1332554CH](#) [1333280CH](#) [1333575CH](#) [1353701](#)