

**PLEASE CHECK WWW.MOLEX.COM FOR LATEST PART INFORMATION**

**Part Number:** [0782341003](#)  
**Status:** **Active**  
**Overview:** [GbX I-Trac Backplane Connector System](#)  
**Description:** [GbX I-Trac Right-Angle Header with Left Hold Down, Power Module, 2 Blades, 80 Amps, Lead-Free](#)

**Documents:**

<a href="#">3D Model</a>	<a href="#">Application Specification AS-78231-007-001 (PDF)</a>
<a href="#">Drawing (PDF)</a>	<a href="#">Packaging Specification PK-78234-001 (PDF)</a>
<a href="#">Product Specification PS-78231-006-001 (PDF)</a>	<a href="#">RoHS Certificate of Compliance (PDF)</a>

**Agency Certification**

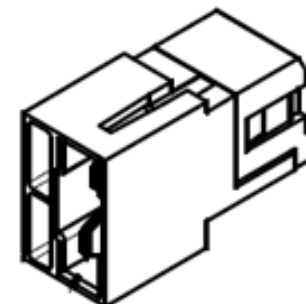
CSA	LR19980
UL	E29179

**General**

Product Family	Backplane Connectors
Series	<a href="#">78234</a>
Application	Daughtercard
Component Type	Power Header
Overview	<a href="#">GbX I-Trac Backplane Connector System</a>
Product Name	GbX I-Trac
UPC	883906030094

**Physical**

Circuits (Loaded)	2
Circuits (maximum)	2
Circuits Detail	80 Amps (40/Split Blade). Power Module 1: Blade Length P1, 6.77mm; P2, 9.77mm
Color - Resin	Black
Durability (mating cycles max)	100
First Mate / Last Break	Yes
Flammability	94V-0
Guide to Mating Part	No
Keying to Mating Part	None
Material - Metal	High Performance Alloy (HPA)
Material - Plating Mating	Gold
Material - Plating Termination	Tin
Material - Resin	High Temperature Thermoplastic
Net Weight	10.495/g
Number of Columns	1
Number of Pairs	6
Number of Rows	2
Orientation	Right Angle
PC Tail Length	2.41mm
PCB Locator	Yes
PCB Retention	Yes
PCB Thickness - Recommended	1.60mm
Packaging Type	Tray
Pitch - Mating Interface	2.00mm, 7.40mm
Pitch - Termination Interface	2.00mm, 7.40mm
Plating min - Mating	0.762µm
Plating min - Termination	2.540µm
Polarized to PCB	Yes
Stackable	No
Surface Mount Compatible (SMC)	Yes
Temperature Range - Operating	-20° to +85°C



Series image - Reference only

**EU ELV**

**Not Relevant**

**EU RoHS**

**Compliant**

**REACH SVHC**

Not Contained Per - ED/61/2018 (27 June 2018)

**Halogen-Free**

**Status**

**Low-Halogen**

**Need more information on product environmental compliance?**

Email [productcompliance@molex.com](mailto:productcompliance@molex.com)  
Please visit the [Contact Us](#) section for any non-product compliance questions.

China ROHS

ELV

RoHS Phthalates

**China RoHS**

Green Image

Not Relevant

Not Contained

**Search Parts in this Series**

[78234 Series](#)

**Mates With**

[78232](#) GbX I-Trac Vertical Receptacle, Power Module, [78235](#) GbX I-Trac Power Right Angle Receptacle

**Use With**

[75710](#) GbX I-Trac Right Angle, 11 Row Receptacle Module

**Application Tooling | FAQ**

*Tooling specifications and manuals are found by selecting the products below. Crimp Height Specifications are then contained in the Application Tooling Specification document.*

**Global**

**Description**

**Product #**

Termination Interface: Style

Through Hole - Compliant Pin

Press-in Tool for [0622018628](#)  
Right Angle Power  
Receptacle and  
Header for 11-Row

**Electrical**

Current - Maximum per Contact

80.0A

Data Rate

12.0 Gbps

Shield Type

N/A

Shielded

No

Voltage - Maximum

250V DC

**Solder Process Data**

Lead-free Process Capability

N/A

**Material Info**

**Reference - Drawing Numbers**

Application Specification

AS-78231-007-001

Packaging Specification

PK-78234-001

Product Specification

PS-78231-006-001

Sales Drawing

SD-78234-003

This document was generated on 08/27/2018

**PLEASE CHECK [WWW.MOLEX.COM](http://WWW.MOLEX.COM) FOR LATEST PART INFORMATION**

## X-ON Electronics

Largest Supplier of Electrical and Electronic Components

*Click to view similar products for [High Speed/Modular Connectors](#) category:*

*Click to view products by [Molex](#) manufacturer:*

Other Similar products are found below :

[2332816-1](#) [89006-1137LF](#) [650827-1](#) [65762-001LF](#) [73474-201LF](#) [74040-1346](#) [74075-0267](#) [1410191-1](#) [1410337-1](#) [1410368-3](#) [1410964-2](#)  
[1410367-3](#) [1410971-4](#) [1467833-1](#) [2000877-1](#) [2000878-1](#) [2041314-1](#) [2065387-1](#) [2187307-1](#) [2187462-1](#) [2226278-6](#) [KA81-07](#) [91290-101LF](#)  
[163P](#) [1934290-1](#) [2000875-1](#) [2065917-1](#) [2102736-2](#) [FSR-40](#) [2169868-2](#) [2226279-2](#) [22354-8](#) [437-5040-000](#) [5-1393565-0](#) [532449-3](#) [532803-](#)  
[2](#) [34745-0001](#) [0736440217](#) [1-1393708-5](#) [72388-0021LF](#) [73774-1000](#) [532939-1](#) [5-531355-3](#) [5532901-3](#) [85838-180LF](#)  
[HM1S43TRR460H6PLF](#) [0760205010](#) [1-966831-4](#) [3-1469268-7](#) [77427-121LF](#)