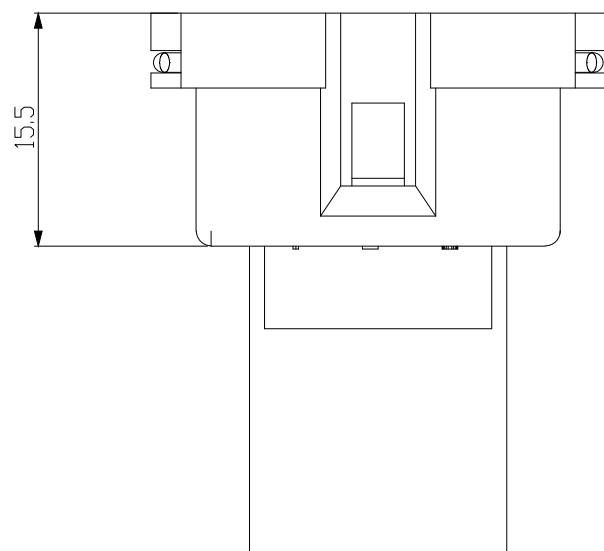
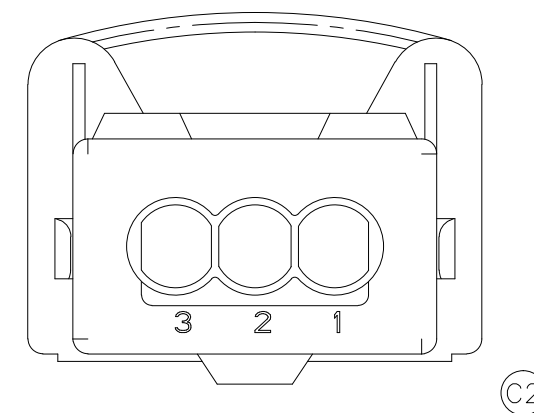
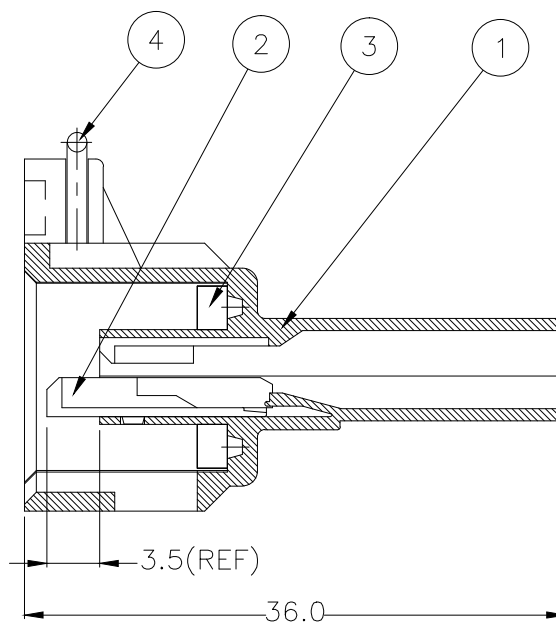
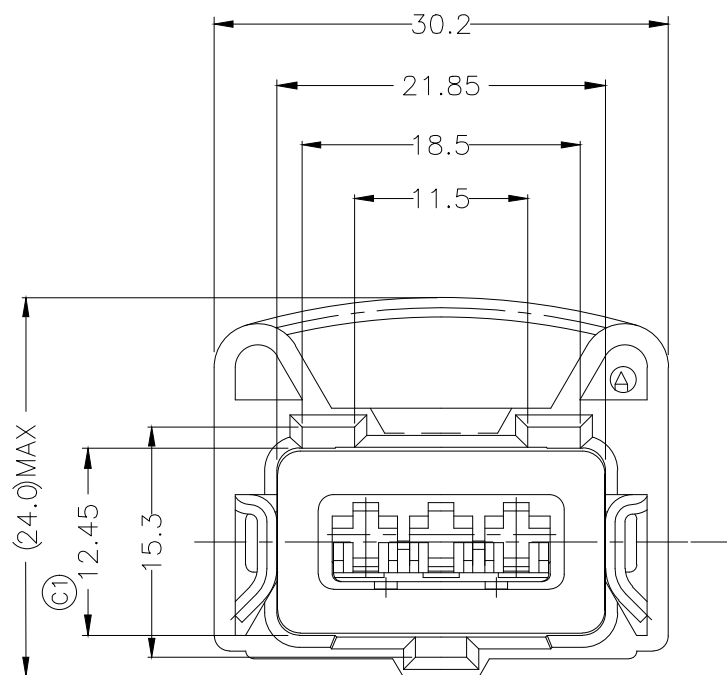


P	LTR	DESCRIPTION	DATE	DWN	APVD
B		REVISED(RD097-043)	04.APR.'97	YD	CS
C		REVISED(FC00-0085-99)	02.JUL.'99	YD	CS
C1		REVISED(ECR-07-020197)	24.AUG.'07	YC	JK
C2		REVISED(ECR-16-000551)	13.JAN.'16	SJ	HG



\* NOTES \*

- 1. APPLICABLE CONTACT P/NO: 927770/927766
- 2. APPLICABLE WIRE SEAL P/NO: 828904/828905/368064

NO	COLOR	MATERIAL	DESCRIPTION	P/NO	REQUIRED Q'TY
4		SUS 304	SPRING	85388-1	1
3	ORANGE	SILICONE	SEAL RUBBER	85384-1	1
2	YELLOW	PBT	SPACER	85207-1	1
1	GREEN	PBT 30% GF	JPT 3P HSG FOR STANDARD	(C1) 85206-3	1
1	BLUE	PBT 30% GF	JPT 3P HSG FOR STANDARD	(C1) 85206-2	1
1	BLACK	PBT 30% GF	JPT 3P HSG FOR STANDARD	(C1) 85206-1	1

DESCRIPTION	P/NO
JPT 3P ASS'Y FOR STANDARD	85205-3 (C1)
JPT 3P ASS'Y FOR STANDARD	85205-2 (C1)
JPT 3P ASS'Y FOR STANDARD	85205-1 (C1)

THIS DRAWING IS A CONTROLLED DOCUMENT.		DWN SJ CHOI			
DIMENSIONS: mm		CHK JW JUNG			
TOLERANCES UNLESS OTHERWISE SPECIFIED: 0<XX<10 ± 0.2 10<XX<30 ± 0.25 30<XX<100 ± 0.3 ANGLES ± 3°		APVD HG CHOI		NAME JPT 3P ASS'Y FOR STANDARD	
MATERIAL		FINISH		PRODUCT SPEC 108-61000	
				APPLICATION SPEC 114-18018	
				WEIGHT A3 00779 C=85205	
				RESTRICTED TO -	
CUSTOMER DRAWING				SCALE 2:1	SHEET 1 OF 1
				REV C2	

## X-ON Electronics

Largest Supplier of Electrical and Electronic Components

*Click to view similar products for [Headers & Wire Housings](#) category:*

*Click to view products by [TE Connectivity](#) manufacturer:*

Other Similar products are found below :

[95000-104TRLF](#) [10135584-644402LF](#) [DF62W-EP2022PCA](#) [95000-106TRLF](#) [DF62W-2022SCA](#) [DF62W-EP2022PC](#) [2203348](#) [DF62W-2022SC](#) [1084018](#) [1029039](#) [1084017](#) [802-10-012-10-002000](#) [1112640](#) [1112639](#) [000-34000](#) [0009482033](#) [0009507031](#) [57102-S06-03LF](#) [57202-S52-04LF](#) [PCN6-15S-2.5E](#) [0039019024](#) [58102-G61-06LF](#) [582553-1](#) [0009485154](#) [0009508121](#) [0022285053](#) [0050291907](#) [018731A](#) [LY20-4P-DT1-P1E-BR](#) [02.125.8002.8](#) [60101931](#) [60598-1 \(Cut Strip\)](#) [M1625-3R/100](#) [61062-3](#) [61082-181009](#) [636-1427](#) [638009-1](#) [641938-9](#) [641991-4](#) [644168-1](#) [647662-1](#) [65039-019ELF](#) [65817-002LF](#) [65817-015LF](#) [65863-015LF](#) [66207-023LF](#) [67016-026LF](#) [67046-001LF](#) [67095-007LF](#) [67230-005LF](#)