

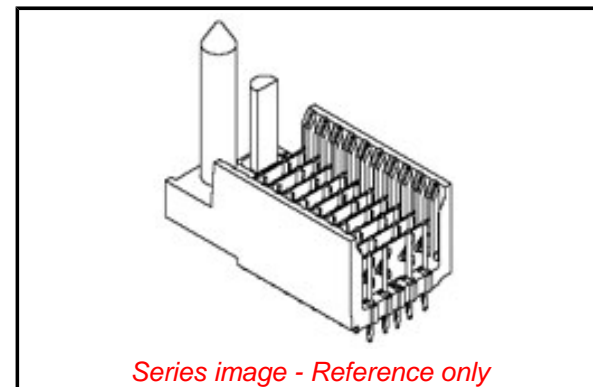
**PLEASE CHECK WWW.MOLEX.COM FOR LATEST PART INFORMATION**

**Part Number:** [0746961001](#)

**Status:** **Active**

**Overview:** VHDM-HSD™ Backplane Connectors

**Description:** VHDM-HSD™ Backplane Header, 2.00mm Pitch, 5-Row, Guide Pin Signal Module, Pin End Version, 40 Circuits, Pin Length 4.75mm. Series:74702 Enables designers to create custom loaded connectors utilizing standard pin lengths 4.25, 4.75, 5.15 and 6.25mm



Series image - Reference only

**Documents:**

[Drawing \(PDF\)](#)

[Product Specification PS-74031-999 \(PDF\)](#)

[Packaging Specification PK-74696-003 \(PDF\)](#)

[RoHS Certificate of Compliance \(PDF\)](#)

**Agency Certification**

CSA LR19880  
UL E29179

**General**

Product Family Backplane Connectors  
Series [74696](#)  
Application Backplane  
Application Tooling Documents TM-622010999  
Comments No Keying Orientation  
Component Type PCB Header  
Overview [VHDM-HSD™ Backplane Connectors](#)  
Product Name VHDM-HSD™  
UPC 800756544564

**Physical**

Circuits (Loaded) 40  
Circuits (maximum) 40  
Color - Resin Black  
Durability (mating cycles max) 200  
First Mate / Last Break No  
Flammability 94V-0  
Guide to Mating Part Yes  
Keying to Mating Part None  
Material - Metal High Performance Alloy (HPA), Stainless Steel  
Material - Plating Mating Gold  
Material - Plating Termination Matte Tin  
Material - Resin High Temperature Thermoplastic  
Net Weight 6.007/g  
Number of Columns 10  
Number of Pairs Open Pin Field  
Number of Rows 5  
Orientation Vertical  
PC Tail Length 2.50mm  
PCB Locator No  
PCB Retention None  
PCB Thickness - Recommended 1.80mm  
Packaging Type Tube  
Pitch - Mating Interface 2.00mm  
Pitch - Termination Interface 2.00mm  
Plating min - Mating 0.762µm  
Plating min - Termination 0.762µm  
Polarized to PCB Yes  
Surface Mount Compatible (SMC) Yes  
Temperature Range - Operating -55°C to +105°C

**EU ELV**

**Not Relevant**

**EU RoHS**

**Compliant**

**REACH SVHC**

Not Contained Per -  
ED/21/2016 (20 June  
2016)

**Halogen-Free**

**Status**

**Low-Halogen**

**Need more information on product environmental compliance?**

Email [productcompliance@molex.com](mailto:productcompliance@molex.com)  
Please visit the [Contact Us](#) section for any non-product compliance questions.

China ROHS

ELV

Green Image

Not Relevant

**Search Parts in this Series**

[74696 Series](#)

**Mates With**

[74670 VHDM-HSD™ Daughtercard](#)

**Application Tooling | FAQ**

*Tooling specifications and manuals are found by selecting the products below. Crimp Height Specifications are then contained in the Application Tooling Specification document.*

**Global**

Description	Product #
Signal Header, 5-Row by 10-Wide, 20.00mm	<a href="#">0622020201</a>
Signal Pin Inserter Repair Tool	<a href="#">0622015700</a>
5-Row Pin and Shield Repair Tool	<a href="#">0622015810</a>

Termination Interface: Style

Through Hole - Compliant Pin

5-Row Shield  
Extraction Tool

0622016010

**Electrical**

Current - Maximum per Contact

1.0A

Data Rate

5.0 Gbps

Shield Type

Ground Plane Shield

Shielded

Yes

Voltage - Maximum

120V AC (RMS)/DC

**Solder Process Data**

Lead-free Process Capability

N/A

**Material Info**

**Reference - Drawing Numbers**

Packaging Specification

PK-74696-003

Product Specification

PS-74031-999

Sales Drawing

SD-74696-002

Note: HDM, HDM+, VHDM, VHDM-HSD and GbX are trademarks or registered trademarks of Amphenol TCS.

This document was generated on 09/30/2016

**PLEASE CHECK [WWW.MOLEX.COM](http://WWW.MOLEX.COM) FOR LATEST PART INFORMATION**

## X-ON Electronics

Largest Supplier of Electrical and Electronic Components

*Click to view similar products for [DIN 41612 Connectors](#) category:*

*Click to view products by [Molex](#) manufacturer:*

Other Similar products are found below :

[09231126901](#) [PCN10F-24P-2.54DS\(72\)](#) [004.767](#) [02221602702](#) [024069](#) [602427301412000](#) [013275](#) [691327-1](#) [74670-0732](#) [74680-0340](#)  
[75880-0015](#) [76453-0014](#) [86093159ALF](#) [923454](#) [QLC260R](#) [120X10099X](#) [120X10019X](#) [120X10089X](#) [120X10129X](#) [121A10039X](#)  
[121A10309X](#) [122A10019X](#) [122A10029X](#) [122A10249X](#) [122A10669X](#) [122A11089X](#) [122A13089X](#) [121B10409X](#) [122A10089X](#)  
[122A10129X](#) [122A10349X](#) [122A13359X](#) [1377391-4](#) [DIN-048CPC-SR1-MH](#) [1393583-2](#) [1393726-7](#) [140X10059X](#) [140X10129X](#) [143-1913-](#)  
[000](#) [143-1908-000](#) [1484472-1](#) [173052](#) [2110070-1](#) [2110070-2](#) [CBC20T00-008FDS5-0-1-002VR](#) [983-0SE12-12P6](#) [17041102202](#) [172699-](#)  
[5036](#) [173051](#) [20 8457096 010 025](#)