

PLEASE CHECK WWW.MOLEX.COM FOR LATEST PART INFORMATION

Part Number: [0780012200](#)
Status: **Active**
Overview: MiniDIMM Sockets
Description: 0.60mm Pitch miniDIMM Socket, Surface Mount, Reverse Right Angle, with Off-White Latches, 2.5V Voltage Key, 200 Circuits, Lead-Free

Documents:

[3D Model](#) [Application Specification AS-87782-001 \(PDF\)](#)
[Drawing \(PDF\)](#) [RoHS Certificate of Compliance \(PDF\)](#)
[Product Specification PS-78001-001 \(PDF\)](#)

Agency Certification

CSA LR19980
 UL E29179

General

Product Family Memory Module Sockets
 Series [78001](#)
 Comments Latches in Off-White Color
 Component Type Socket
 Electrical Model Yes
 JEDEC Outline MO-258
 Overview [MiniDIMM Sockets](#)
 Product Name MiniDIMM
 UPC 822350071741

Physical

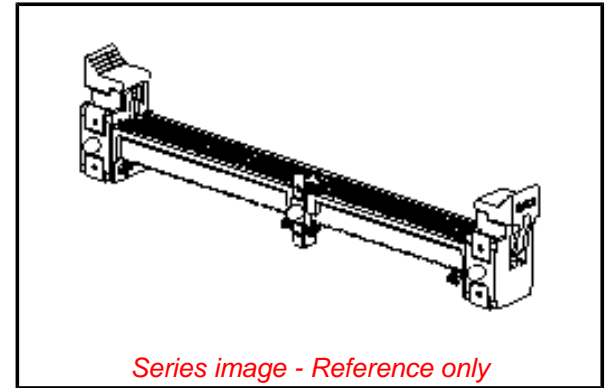
Circuits (Loaded) 200
 Color - Resin Black, Natural (White)
 Durability (mating cycles max) 25
 Entry Angle 90° Angle (Side Entry)
 Flammability 94V-0
 Keying to Mating Part Yes
 Material - Metal Brass, Phosphor Bronze
 Material - Plating Mating Gold
 Material - Plating Termination Tin
 Material - Resin High Temperature Thermoplastic
 Net Weight 9.052/g
 PCB Locator Yes
 PCB Retention Yes
 Packaging Type Tray
 Pitch - Mating Interface 0.60mm
 Plating min - Mating 0.762µm
 Plating min - Termination 3.810µm
 Temperature Range - Operating -55°C to +85°C
 Termination Interface: Style Surface Mount

Electrical

Current - Maximum per Contact 1.0A
 Voltage - Maximum 30V
 Voltage Key 2.5V

Solder Process Data

Duration at Max. Process Temperature (seconds) 005
 Lead-freeProcess Capability REFLOW
 Max. Cycles at Max. Process Temperature 002
 Process Temperature max. C 260



Series image - Reference only

EU ELV

Not Relevant

EU RoHS

Compliant

REACH SVHC

Yes -ED/39/2015 (15 June 2015)
 Acetamide, N-methyl-dinoseb (ISO)
 Imidazolidine-2-thione furan
 C,C'-azodi(formamide)
 tricosafuorododecanoic acid
 heptacosafuorotetradecanoic acid
 methoxyacetic acid
 1,2-diethoxyethane
 hencosafuoroundecanoic acid
 sodium
 peroxometaborate
 pentacosafuorotridecanoic acid
 3-ethyl-2-methyl-2-(3-methylbutyl)-1,3-oxazolidi
 Disodium tetraborate
 Boric acid
 Trixylyl phosphate
 4-(1,1,3,3-tetramethylbutyl)phenol, ethoxylated
 Methylhexahydrophthalic anhydride
 Sodium perborate; perboric acid, sodium salt
 propylene oxide
 Silicic acid (H2Si2O5), barium salt (1:1), lead-Trichloroethylene

China RoHS

Material Info

Reference - Drawing Numbers

Application Specification	AS-87782-001
Electrical Model Document	EE-78001-001
Product Specification	PS-78001-001
S-Parameter Model	SP-78001-001
Sales Drawing	SD-78001-003

1,2,3-
Trichloropropane
1,2-dichloroethane
1-bromopropane
Dibutyltin-dichloride
4,4'-
Methylenedianiline
Tris(2-chloroethyl)
phosphate
Boric acid, disodium
salt, hydrate
formamide
4,4'-
bis(dimethylamino)benzophenone
N,N,N',N'-
tetramethyl-4,4'-
methylenedianiline
1,2-bis(2-
methoxyethoxy)ethane
[4-[4,4'-
Bis(dimethylamino)benzhydrylidene]cyclo
4,4'-
bis(dimethylamino)-4''-
(methylamino)trityl
Diboron-trioxide
[4-[[4-Anilino-1-
naphthyl]]4-
(dimethylamino)phen
#,#-Bis[4-
(dimethylamino)phenyl]-4
(phenylamino)
diethyl sulphate

Halogen-Free

Status

Not Low-Halogen

**Need more information on product
environmental compliance?**

Email productcompliance@molex.com
Please visit the [Contact Us](#) section for any
non-product compliance questions.

China ROHS
ELV

Green Image
Not Relevant

Search Parts in this Series
[78001](#) Series

Mates With
JEDEC MO-258 Modules

This document was generated on 12/10/2015

PLEASE CHECK WWW.MOLEX.COM FOR LATEST PART INFORMATION

X-ON Electronics

Largest Supplier of Electrical and Electronic Components

Click to view similar products for [IC & Component Sockets](#) category:

Click to view products by [Molex](#) manufacturer:

Other Similar products are found below :

[714-43-102-31-012000](#) [0066-3-17-15-30-14-02-0](#) [0134-0-15-15-32-27-04-0](#) [614-DG5](#) [6527-0-00-15-00-00-03-0](#) [670](#) [672](#) [673](#) [712-93-120-41-001000](#) [714-93-104-31-018000](#) [8059-4G1-LF](#) [807-22-001-10-001101](#) [807-22-001-10-003101](#) [807-22-001-10-004101](#) [807-22-001-10-006101](#) [807-22-001-30-011101](#) [807-22-001-30-012101](#) [807-22-001-30-013101](#) [807-22-001-30-014101](#) [8-1437531-4](#) [8150-6P10](#) [833-93-034-10-001000](#) [835-43-014-10-001000](#) [851-41-006-10-001000](#) [851-43-008-20-001000](#) [851-43-014-20-001000](#) [851-93-006-20-001000](#) [851-93-010-20-001000](#) [853-43-020-10-001000](#) [86.010.0053.0](#) [116-43-306-41-003000](#) [116-43-308-41-007000](#) [116-87-308-41-007101](#) [PX-68LCC](#) [PX-84LCC](#) [121-13-318-41-001000](#) [121-13-320-41-001000](#) [121-13-308-41-001000](#) [123-43-314-41-801000](#) [123-43-420-41-001000](#) [123-43-636-41-001000](#) [123-87-320-41-001101](#) [122-13-316-41-001000](#) [123-13-624-41-001000](#) [123-43-306-41-001000](#) [123-43-322-41-801000](#) [123-43-428-41-001000](#) [123-43-624-41-001000](#) [12-3513-11](#) [123-91-320-41-001000](#)