

View on mating side

○	C	C	C	C	C	C	C	C	C	C	C	C	C	C	C	C	C	C	C	C	C	C	C	C	C	C	C	C	C	
△	B	B	B	B	B	B	B	B	B	B	B	B	B	B	B	B	B	B	B	B	B	B	B	B	B	B	B	B	B	B
○	A	A	A	A	A	A	A	A	A	A	A	A	A	A	A	A	A	A	A	A	A	A	A	A	A	A	A	A	A	

M N O P Q R S T U V W X Y Z
 a b c d e f g h i j k l m n o p q r s t u v w x y z

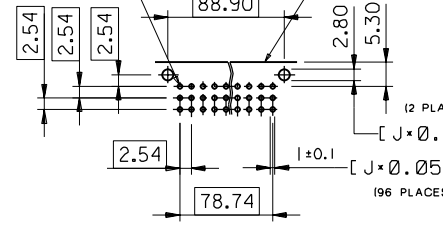
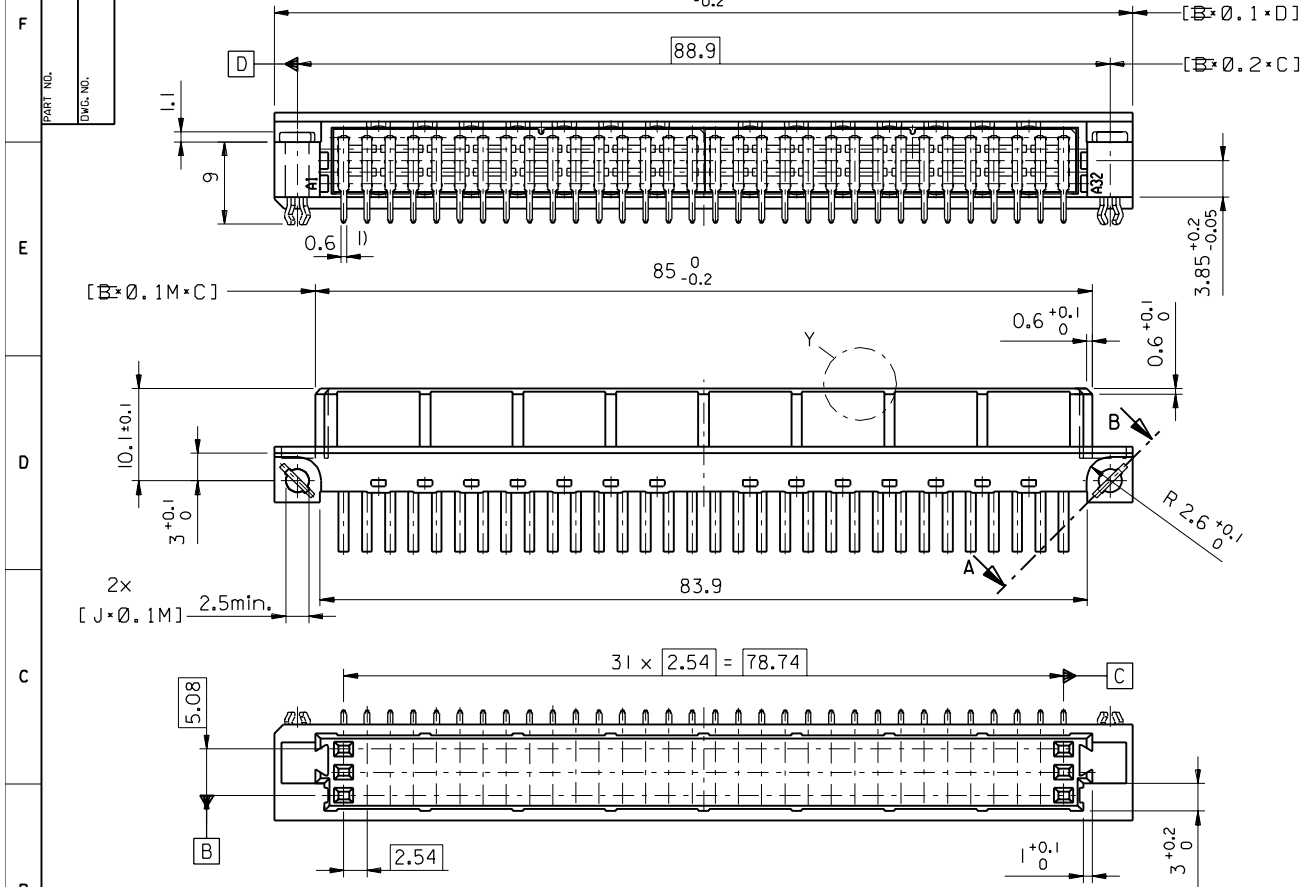
- A = 25 contacts L=2,8
- B = 21 contacts L=2,8
- C = 25 contacts L=2,8

S = 71 total number of contacts

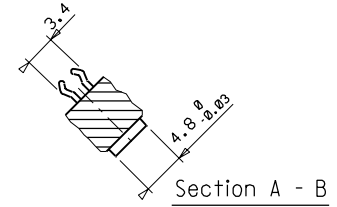
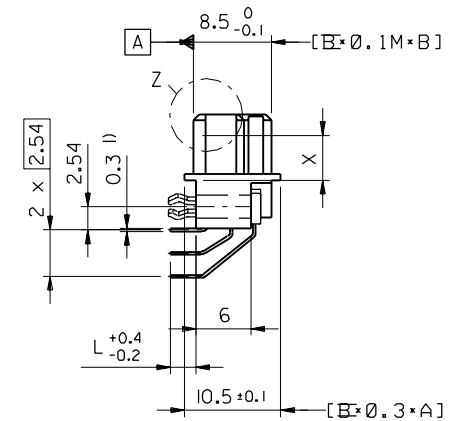
Marking	Standard
Performance level	G2/0 = Contact area level2 / Termination tin
Flux proof	no
Fixing clip	no
Dimensions	SDA-85052-0001 sht.1
Technical Data	PS-85052-0001

C	G2/0	c1,2,6,7,11,12,14-32
B	G2/0	b3,4,8,9,16-32
A	G2/0	a1,2,5,6,10,11,13,14,16-32
Contact symbol	Perform. level	Contact position number

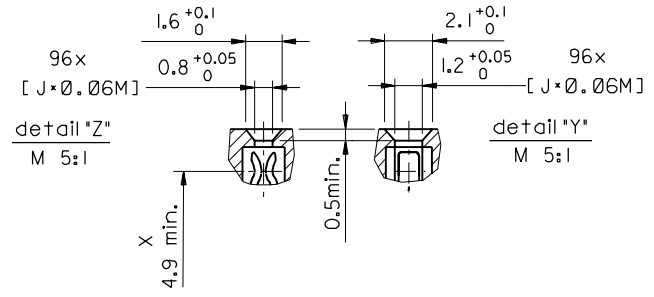
ECN MG1998-2665	first release	REVISIONS		FOR PREVIOUS REVISIONS SEE MRI LIST	
LTR	△	REVISIONS	DATE	BY	DESCRIPTION
UNLESS OTHERWISE SPECIFIED TOLERANCES: ANGULAR ±2°		DRWG BY	SIGN	CAD/CAM PROJECT NAME	REVISE ONLY ON CAD SYSTEM
3 PLACE ± .	±	KN		s8505208	SH. REV.
2 PLACE ± .	±	CHK'D BY	SIGN	s81	THIS DRAWING CONTAINS PROPRIETARY TO MOLEX INC. & SHOULD NOT BE USED WITHOUT WRITTEN PERMISSION
1 PLACE ± .	±	Ca			
DRAFT WHERE APPLICABLE MUST REMAIN WITHIN DIMENSIONS		APP'D BY	SIGN	TITLE	
DESIGN DIMENSION <input type="checkbox"/> MM <input type="checkbox"/> IN.		JB		96 pos. female connector	
EQUIVALENT DIMENSION <input type="checkbox"/> MM <input type="checkbox"/> IN.		SCALE		acc. DIN 41612 style R	
IF TWO DIMENSIONS ARE SHOWN, THE UPPER IS THE DESIGN DIMENSION, LOWER IS SECONDARY				contacts arrangement	
				MOLEX EUROPE	
				SHEET NO. DATE	
				1 OF 1 97/12/09	
				PART NO. DWG NO.	
				85052-0880 SD-85052-0880	
				SIZE A	



1) tails to fit in PC-board layout



Section A - B



FIRST ANGLE PROJECTION

REVISE ONLY ON CAD SYSTEM

ECN MG1998-2586 hole pattern/L+0.4-0.2 97-09-15 KN	LTR REVISIONS FOR PREVIOUS REVISIONS SEE MTR LIST	UNLESS OTHERWISE SPECIFIED TOLERANCES: ANGULAR ±2°		DRWG BY SIGN KN	SIGN
		INCH	METRIC		
		3 PLACE ±	±	CHK'D BY SIGN Ca	SIGN
		2 PLACE ±	±	APP'D BY SIGN JB	
		1 PLACE ±	±		
		DRAFT WHERE APPLICABLE MUST REMAIN WITHIN DIMENSIONS			
		DESIGN DIMENSION	<input checked="" type="checkbox"/> MM <input type="checkbox"/> IN.		
		EQUIVALENT DIMENSION	<input type="checkbox"/> MM <input type="checkbox"/> IN.		
		IF TWO DIMENSIONS ARE SHOWN THE UPPER IS THE DESIGN DIMENSION LOWER IS SECONDARY		SCALE 2:1	

CAD/CAM PROJECT NAME 85052000 611	THIS DRAWING CONTAINS INFORMATION THAT IS PROPRIETARY TO MOLEX INC. & SHOULD NOT BE USED WITHOUT WRITTEN PERMISSION	
TITLE 96 pos. female connector DIN 41612 style R + clip Dimensions		
MOLEX EUROPE		SHEET NO. DATE 1 OF 2 96/00
PART NO.	DWG NO. SDA-85052-0001	

X-ON Electronics

Largest Supplier of Electrical and Electronic Components

Click to view similar products for [DIN 41612 Connectors](#) category:

Click to view products by [Molex](#) manufacturer:

Other Similar products are found below :

[09231126901](#) [PCN10F-24P-2.54DS\(72\)](#) [004.767](#) [02221602702](#) [024069](#) [602427301412000](#) [013275](#) [691327-1](#) [74670-0732](#) [74680-0340](#)
[75880-0015](#) [76453-0014](#) [86093159ALF](#) [923454](#) [QLC260R](#) [120X10099X](#) [120X10019X](#) [120X10089X](#) [120X10129X](#) [121A10039X](#)
[121A10309X](#) [122A10019X](#) [122A10029X](#) [122A10249X](#) [122A10669X](#) [122A11089X](#) [122A13089X](#) [121B10409X](#) [122A10089X](#)
[122A10129X](#) [122A10349X](#) [122A13359X](#) [1377391-4](#) [DIN-048CPC-SR1-MH](#) [1393583-2](#) [1393726-7](#) [140X10059X](#) [140X10129X](#) [143-1913-](#)
[000](#) [143-1908-000](#) [1484472-1](#) [173052](#) [2110070-1](#) [2110070-2](#) [CBC20T00-008FDS5-0-1-002VR](#) [983-0SE12-12P6](#) [17041102202](#) [172699-](#)
[5036](#) [173051](#) [20](#) [8457096](#) [010](#) [025](#)