

**PLEASE CHECK WWW.MOLEX.COM FOR LATEST PART INFORMATION**

**Part Number:** [0879779001](#)  
**Status:** **Active**  
**Description:** 1.00mm Pitch Fully Buffered DIMM Socket, Vertical, Press-Fit, 240 Circuits, 1.8V Center Voltage Key, with Plastic Locating Peg and Press-Fit Metal Pins, with Black Latches, 0.38µm Gold (Au) Plating, Lead-Free

**Documents:**

[3D Model](#) [Application Specification AS-87746-001 \(PDF\)](#)  
[Drawing \(PDF\)](#) [RoHS Certificate of Compliance \(PDF\)](#)  
[Product Specification PS-87977-001 \(PDF\)](#)

**Agency Certification**

CSA LR19980  
 UL E29179

**General**

Product Family Memory Module Sockets  
 Series [87977](#)  
 Comments <LI>Latches in Black Color<LI>Solder Tail Length at 3.15mm  
 Component Type Socket  
 Electrical Model Yes  
 JEDEC Outline MO-256  
 Product Name FB DIMM  
 UPC 822350374200

**Physical**

Circuits (Loaded) 240  
 Color - Resin Black  
 Durability (mating cycles max) 25  
 Entry Angle Vertical (Top Entry)  
 Flammability 94V-0  
 Keying to Mating Part Yes  
 Material - Metal Phosphor Bronze  
 Material - Plating Mating Gold  
 Material - Plating Termination Tin  
 Material - Resin High Temperature Thermoplastic  
 Net Weight 10.650/g  
 PC Tail Length 3.15mm  
 PCB Locator Yes  
 PCB Retention Yes  
 PCB Thickness - Recommended 3.30mm  
 Packaging Type Tray  
 Pitch - Mating Interface 1.00mm  
 Plating min - Mating 0.381µm  
 Plating min - Termination 0.381µm  
 Temperature Range - Operating -10°C to +85°C  
 Termination Interface: Style Through Hole - Compliant Pin

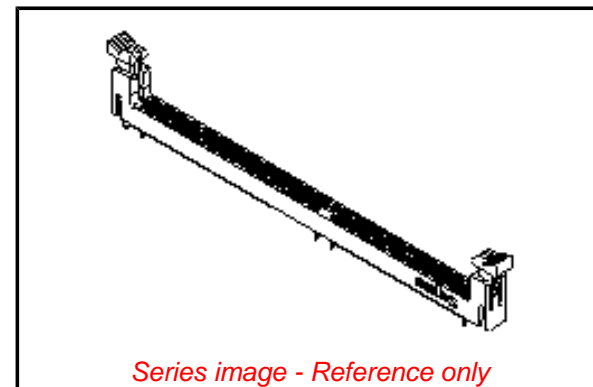
**Electrical**

Current - Maximum per Contact 1.0A  
 Voltage - Maximum 30V  
 Voltage Key 1.8V, Center

**Solder Process Data**

Lead-freeProcess Capability N/A

**Material Info**



**EU ELV**

**Not Relevant**

**EU RoHS**

**Compliant**

**REACH SVHC**

Contains SVHC(2015 June 15): No

**Halogen-Free**

**Status**

**Not Low-Halogen**

**Need more information on product environmental compliance?**

Email [productcompliance@molex.com](mailto:productcompliance@molex.com)  
 Please visit the [Contact Us](#) section for any non-product compliance questions.

China ROHS

ELV

Green Image

Not Relevant

**Search Parts in this Series**

[87977 Series](#)

**Mates With**

JEDEC MO-256 Modules

**Reference - Drawing Numbers**

Application Specification	AS-87746-001
Electrical Model Document	EE-87977-001
Product Specification	PS-87977-001
S-Parameter Model	SP-87977-001
Sales Drawing	SD-87977-020

This document was generated on 10/29/2015

**PLEASE CHECK [WWW.MOLEX.COM](http://WWW.MOLEX.COM) FOR LATEST PART INFORMATION**

## X-ON Electronics

Largest Supplier of Electrical and Electronic Components

*Click to view similar products for [Sockets & Adapters](#) category:*

*Click to view products by [Molex](#) manufacturer:*

Other Similar products are found below :

[6508-0-00-01-00-00-33-0](#) [AC164341](#) [AC164348](#) [1262](#) [C8051F350-TB](#) [KITPF0100SKTEVBE](#) [LFVDBJR](#) [SK-AX2-CQ256-KITTOP](#)  
[AC164334](#) [AC164353](#) [AC164383](#) [SOCKET-ADM106XTQZ](#) [SPC564A80CAL176](#) [ST5M1267-001](#) [FP3-10PIN-ADAPTER-KIT](#) [CY3675-](#)  
[LCC4A](#) [TDGL015](#) [ATF15XXDK3-SAA100](#) [LFBGADATC](#) [SM64TQ-ACTEL-1](#) [SM68P-ACTEL](#) [8.06.03](#) [AC164358](#) [ATSTK600-RC99](#)  
[76002056](#) [DS91230+](#) [OM13019,598](#) [09185058](#) [AC164369](#) [AC164409](#) [AC164402](#) [SMPA-ISP-ACTEL-3-KIT](#) [ICESABCM81-01](#) [LFVDBGF](#)  
[AC164408](#) [KIT 70601-3](#) [S5U13U00P00C100](#) [AC164352](#) [PN-Q208/5256V](#) [PN-T100/LC4256](#) [LFBGAINTM55U1QA](#) [AC164370](#)  
[AC164355](#) [AC164367](#) [LFDAS12XEFT](#) [CY3675-TSSOP20B](#) [SPC563M64AVB144](#) [ATF15XXDK3-SAA44](#) [AC164410](#)  
[SPC563M64AVB176](#)