

**ebm-papst St. Georgen GmbH & Co. KG**

Hermann-Papst-Str. 1

D-78112 St. Georgen

Phone +49 (0) 7724 81-0

Fax +49 (0) 7724 81-1309

info2@de.ebmpapst.com

www.ebmpapst.com

**Nominal data**

| Type                     | 612 JH            |           |
|--------------------------|-------------------|-----------|
| Nominal voltage          | VDC               | 12        |
| Nominal voltage range    | VDC               | 7 .. 13.6 |
| Speed                    | min <sup>-1</sup> | 11700     |
| Power input              | W                 | 7.7       |
| Min. ambient temperature | °C                | -20       |
| Max. ambient temperature | °C                | 70        |
| Air flow                 | m <sup>3</sup> /h | 70        |
| Sound power level        | B                 | 6.4       |
| Sound pressure level     | dB(A)             | 53        |

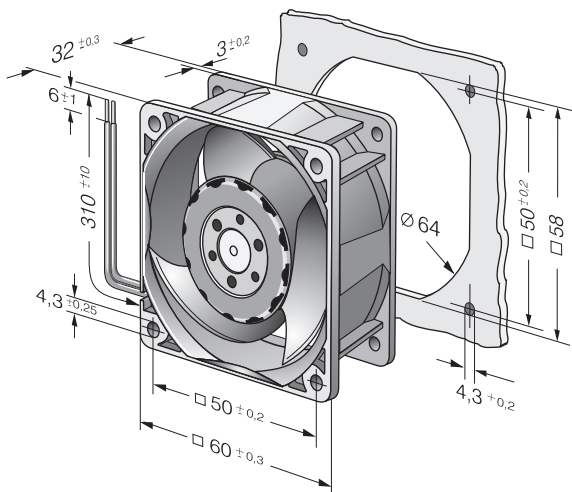
ml = Max. load · me = Max. efficiency · fa = Running at free air · cs = Customer specs · cu = Customer unit  
Subject to alterations



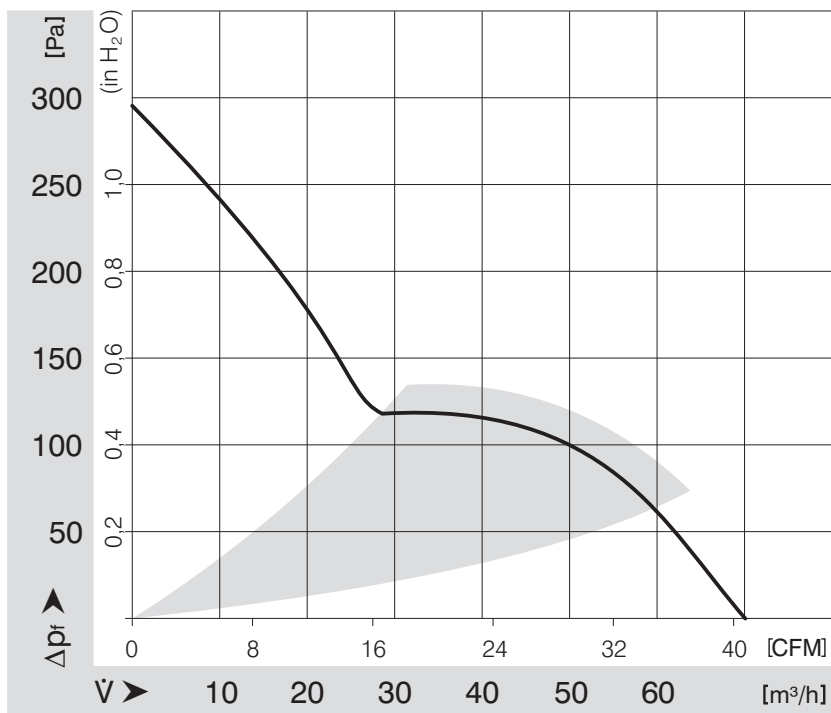
### Technical features

|  |   |
|--|---|
| <b>Housing material</b>                    | Fibreglass-reinforced plastic (PBT)   |
| <b>Impeller material</b>                   | Fibreglass-reinforced plastic (PA)  |
| <b>Mass</b>                                | 0.100 kg  |
| <b>Dimensions</b>                          | 60 x 60 x 32 mm   |
| <b>Direction of air flow</b>               | Air exhaust over bars   |
| <b>Direction of rotation</b>               | Right, looking at rotor   |
| <b>Bearing</b>                             | Ball bearings   |
| <b>Lifetime L10 at 40 °C</b>               | 57500 h   |
| <b>Lifetime L10 at maximum temperature</b> | 27500 h   |
| <b>Connection line</b>                     | Single strands AWG 24, TR 64, bared and tin-plated.   |
| <b>Motor protection</b>                    | Protected against reverse polarity and locking.   |
| <b>Locked-rotor protection</b>             | With electronic blocking and overload protection  |
| <b>Approval</b>                            | CE  |
| <b>Option</b>                              | Special options:<br>Speed signal<br>Go / No-go alarm<br>Alarm with limit speed<br>External temperature sensor<br>PWM control input<br>Analogue control input<br>Moisture protection |

## Product drawing



**Charts: Air flow**



## X-ON Electronics

Largest Supplier of Electrical and Electronic Components

*Click to view similar products for [DC Fans](#) category:*

*Click to view products by [ebm papst](#) manufacturer:*

Other Similar products are found below :

[614R](#) [6424/2HP-210](#) [8312R](#) [DV4118/2NP-183](#) [AFB0948HH-S687](#) [PFB0824DHE-8B72](#) [G2E085-AA05-10](#) [RD20S-4/210660](#) [4318/12T](#)  
[4418HH](#) [AUB0912H-F00](#) [3412N/2ME](#) [K2E225-RA92-09](#) [4184N/2XR](#) [5214N2HH](#) [614J2HHPR-010](#) [8412NGL-12](#) [4114N/12HHR-297](#)  
[4656](#) [ZWR-903](#) [4112N12GL-175](#) [KD2406PKB2.\(2\).GN](#) [AFB1248HHE](#) [AFB1212LE-F00](#) [FAN-SCH-1](#) [MF60151V1-1000U-G99](#)  
[PF80252V1-1000U-G99](#) [PF92252V1-1000U-G99](#) [4112N/2H6P](#) [4114N/17-251](#) [6212NH](#) [622/2N](#) [712F-011](#) [8218J/2NP-181](#) [W1G180-AB47-](#)  
[15](#) [FAA1-12038NBKW31-A](#) [6318N/2TDP](#) [6318N/2H3PU](#) [6318HU](#) [424JMU](#) [PMD1206PTVX-A.U.GN](#) [PF80251B2-000U-F99](#)  
[EF40101BX-1000U-G99](#) [AD1224LB-A71GL](#) [9GA0924L4021](#) [9GA0924M4021](#) [9GA0924M4011](#) [9GA0824B20011](#) [9GA0812A2D0011](#)  
[9GA0912M4D011](#) [9GA0924W4D01](#)