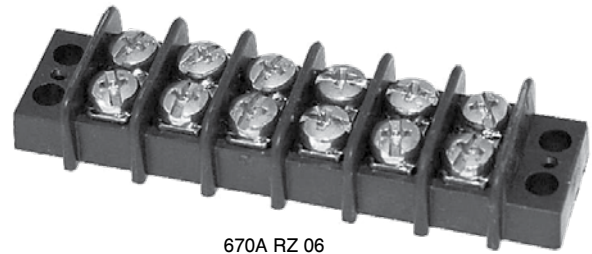


Double Row Terminal Blocks

670A RZ Series

300 Volts AC/DC (Class B)
150 Volts AC/DC (Class C)



670A RZ 06

Specifications:

- Base, Thermoplastic, 130°C (UL RTI)
- Closed Back Design
- Screws, #6-32 Binder Head, Phil-Slot, Steel
- Terminals, Plated Brass
- 1-30 Poles
- 3/8" Centers
- Wire Range With Wire Binding Screw
#12 - #22 AWG – 20 Amps
- Wire Range With Sems Pressure Screw #14 - #22 AWG
Stranded or Solid Wire - 15 Amps
- UL Recognized File No. XCFR2.E47811
- CSA Certified File No. LR19766
- **CE**
- RoHS Compliant

MSP Catalog #	# of poles	Dimensions	
		A	B
670A RZ 01	1	1.03	0.75
670A RZ 02	2	1.41	1.13
670A RZ 03	3	1.78	1.50
670A RZ 04	4	2.16	1.88
670A RZ 05	5	2.53	2.25
670A RZ 06	6	2.91	2.63
670A RZ 07	7	3.28	3.00
670A RZ 08	8	3.66	3.38
670A RZ 09	9	4.03	3.75
670A RZ 10	10	4.41	4.13
670A RZ 11	11	4.78	4.50
670A RZ 12	12	5.16	4.88
670A RZ 13	13	5.53	5.25
670A RZ 14	14	5.91	5.63
670A RZ 15	15	6.28	6.00
670A RZ 16	16	6.66	6.38
670A RZ 17	17	7.03	6.75
670A RZ 18	18	7.41	7.13
670A RZ 19	19	7.78	7.50
670A RZ 20	20	8.16	7.88
670A RZ 21	21	8.53	8.25
670A RZ 22	22	8.91	8.63
670A RZ 23	23	9.28	9.00
670A RZ 24	24	9.66	9.38
670A RZ 25	25	10.03	9.75
670A RZ 26	26	10.41	10.13
670A RZ 27	27	10.78	10.50
670A RZ 28	28	11.16	10.88
670A RZ 29	29	11.53	11.25
670A RZ 30	30	11.91	11.63

mm=dim X 25.4

For electronic drawings or 2D/3D CAD data, submit request at www.marathonsp.com/drawings.html

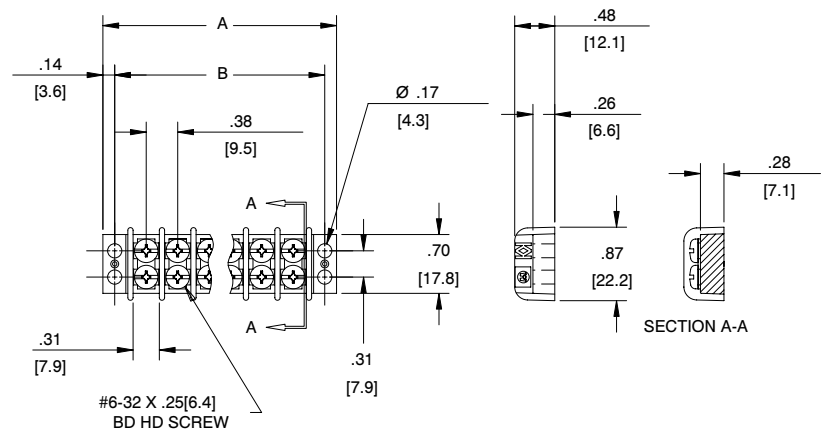
Hardware Options:

(Hardware options may affect ratings - consult Customer Service)

CATALOG # MSP	KULKA PRODUCT DESCRIPTION	PAGE REFERENCE
	KT19 Full Quick Connect (0° Flat)	See page 105
	KT20 Full Quick Connect (45° Bend)	See page 105
	KT21 Full Quick Connect (90° Bend)	See page 105
	KT25 Half Quick Connect (0° Flat)	See page 105
	KT26 Half Quick Connect (45° Bend)	See page 105
	KT27 Half Quick Connect (90° Bend)	See page 105
	ST Full Solder	See page 106
	3/4 ST Half Solder	See page 106
L	Y Feed Thru Solder (.312)	See page 106
	J 600 Line to Line Jumper	See page 107
	600RJ(S) Multiple Position Jumper	See page 107
	3865 Sems Pressure Saddle Screw	See page 107
PSB	Phil-Slot Brass Screw	Consult C/S

Quick Connects: .020" x .187"

See pages 104-115 for terminal block accessories



X-ON Electronics

Largest Supplier of Electrical and Electronic Components

Click to view similar products for [marathon manufacturer](#):

Other Similar products are found below :

[104](#) [599-GP-2004-10](#) [600-2004-3-SP](#) [600-GP-20](#) [600TS-10](#) [601-GP-2102-02](#) [601-GP-3/4ST-12](#) [601-GPYSY-03](#) [601-JJ-06](#) [602-GPYSY-22](#)
[603-2302-04](#) [603-JJ-04](#) [603-JJ-07](#) [604-JJ-06](#) [605-GP-03SLB](#) [605-JJ-02](#) [651-XPR-13](#) [670-3/4ST-9](#) [670A-GP-3000-18](#) [670A-GP-3000-25](#)
[670A-GP-3000-27](#) [670A-GP-3/4ST-10](#) [670-GP-19](#) [CW205-01C](#) [671-RZ-25](#) [672-GPY-05](#) [672-RZ-24](#) [699-GP-2102-08](#) [699-GP-2120-12](#)
[6F30A3S](#) [6H38-TSKK-C](#) [6R30A3SP](#) [F600A1B](#) [F600A3B](#) [F60A1B](#) [799-6-KT28](#) [799-7-KT28](#) [FPB33588](#) [8TBJ02](#) [R30A1B](#) [RF400A3B](#)
[1321970](#) [1322970CH](#) [1320972](#) [1331955](#) [1332270](#) [1332554CH](#) [1333280CH](#) [1333575CH](#) [1353701](#)