

Product Data Sheet



699 GP XX PSB

Replace "XX" with 01 through 23 for number of poles

Terminal Block– Open Back
20 Amps, 150 Volts (AC/DC)



(6 Pole shown)

Insulator Strip Required for Voltage Rating

Copper Wire Only

Wire Range with Wire Binding Screw: #14 - #16 AWG

7/16" Centers

Application torque: 9 in. lbs

Electrical Ratings:

- 20A with Listed ring lug or unprepared wire, (Based on NEC Table 310-16, 75°C columns)
- 150 Volts AC/DC (UL 1059 Class B, User Group – Commercial Appliances)
- Short Circuit Current Rating: 10,000A (Default)
- Approved for Factory Wiring.

Mechanical Ratings:

- Maximum insulator base temperature: 150°C (302°F)* UL RTI
 - Flammability rating of insulator base: UL 94V-1
- * Use outside these ratings needs to be judged in the end-use application.

Materials:

- Connector (Eyelet): Brass, tin plated.
- Insulator base: Phenolic
- Screw, #6-32 Binder head, Phil-Slot: Brass, nickel plated

Agency Approvals:

- UL Recognized, UL 1059 Terminal Block Standard, File No. XCFR2.47811
- CSA Certified, CSA C22.2 No. 158, File No. LR19766
- CE compliant, IEC 60947-7-1
- RoHS Compliant

Wire Range:

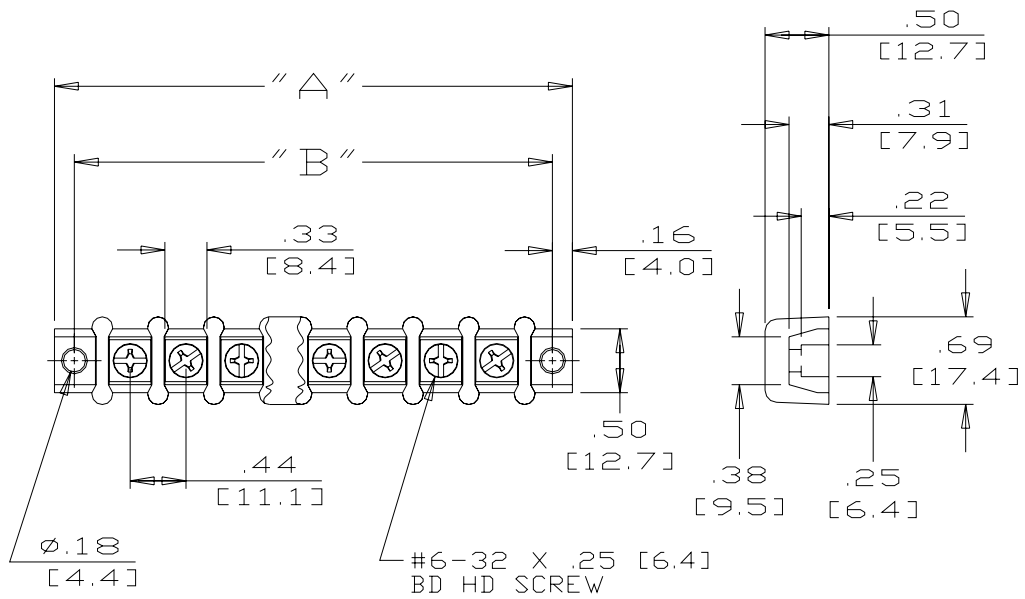
		Copper Wire Stranding Classes - Number of Strands		
Wire Size	Torque	Solid	Class B	Class C
14	9 in. Lbs	1	7	19
16	9 in. Lbs	1	7	19

Suggested product mounting hardware: #6 fastener, torque to 10-15 in. lbs.

ACCESSORIES:

- Insulator Strip

Accessory options may affect ratings – consult factory



Catalog No	# of Poles	Dimensions			Catalog No	# of Poles	Dimensions	
		A	B				A	B
699 GP 01	1	1.19	0.88	X	699 GP 13	13	6.44	6.13
699 GP 02	2	1.62	1.31	X	699 GP 14	14	6.87	6.56
699 GP 03	3	2.06	1.75	X	699 GP 15	15	7.31	7.00
699 GP 04	4	2.50	2.19	X	699 GP 16	16	7.74	7.43
699 GP 05	5	2.94	2.63	X	699 GP 17	17	8.18	7.87
699 GP 06	6	3.37	3.06	X	699 GP 18	18	8.61	8.30
699 GP 07	7	3.81	3.50	X	699 GP 19	19	9.05	8.74
699 GP 08	8	4.25	3.94	X	699 GP 20	20	9.48	9.17
699 GP 09	9	4.68	4.37	X	699 GP 21	21	9.92	9.61
699 GP 10	10	5.12	4.81	X	699 GP 22	22	10.35	10.04
699 GP 11	11	5.56	5.25	X	699 GP 23	23	10.79	10.48
699 GP 12	12	5.99	5.68	X				

MM = Dim X 25.4

WWW.MARATHONSP.COM
1-419-352-8441

PDS 0263 Rev A 12/29/08

X-ON Electronics

Largest Supplier of Electrical and Electronic Components

Click to view similar products for [marathon manufacturer](#):

Other Similar products are found below :

[104](#) [599-GP-2004-10](#) [600-2004-3-SP](#) [600-GP-20](#) [600TS-10](#) [601-GP-2102-02](#) [601-GP-3/4ST-12](#) [601-GPYSY-03](#) [601-JJ-06](#) [602-GPYSY-22](#)
[603-2302-04](#) [603-JJ-04](#) [603-JJ-07](#) [604-JJ-06](#) [605-GP-03SLB](#) [605-JJ-02](#) [651-XPR-13](#) [670-3/4ST-9](#) [670A-GP-3000-18](#) [670A-GP-3000-25](#)
[670A-GP-3000-27](#) [670A-GP-3/4ST-10](#) [670-GP-19](#) [CW205-01C](#) [671-RZ-25](#) [672-GPY-05](#) [672-RZ-24](#) [699-GP-2102-08](#) [699-GP-2120-12](#)
[6F30A3S](#) [6H38-TSKK-C](#) [6R30A3SP](#) [F600A1B](#) [F600A3B](#) [F60A1B](#) [799-6-KT28](#) [799-7-KT28](#) [FPB33588](#) [8TBJ02](#) [R30A1B](#) [RF400A3B](#)
[1321970](#) [1322970CH](#) [1320972](#) [1331955](#) [1332270](#) [1332554CH](#) [1333280CH](#) [1333575CH](#) [1353701](#)