

20 19 18 17 16 15 14 13 12 11 10 9 8 7 6 5 4 3 2 1

M

L

K

J

I

H

G

F

E

D

C

B

A

M

L

K

J

I

H

G

F

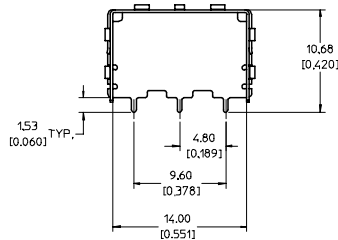
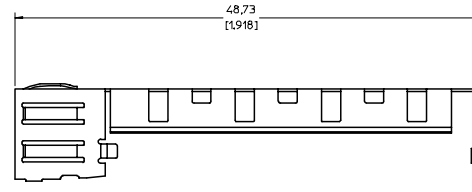
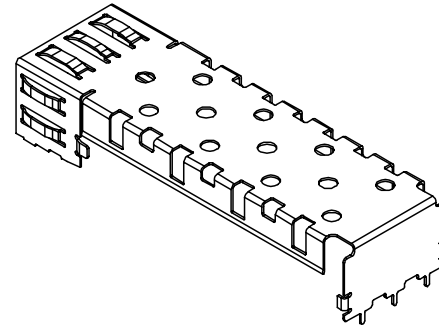
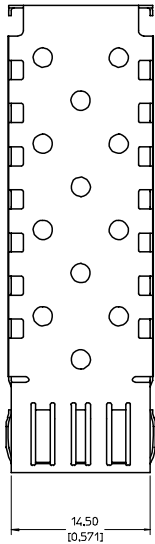
E

D

C

B

A

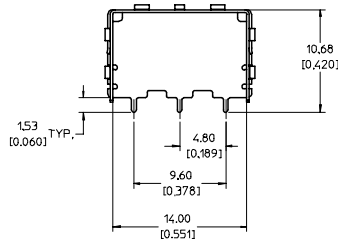
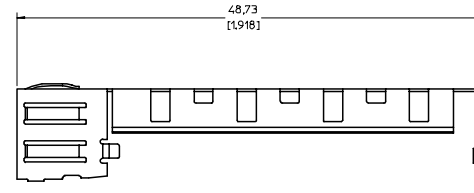
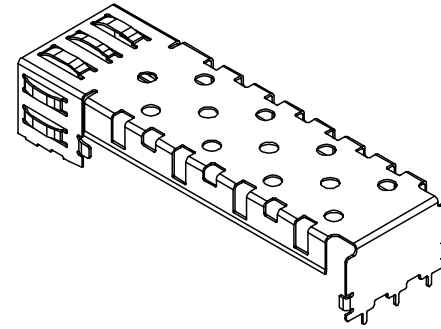
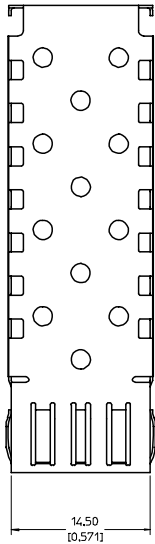


NOTES:

1. MATERIAL: COPPER ALLOY
2. PLATING: BRIGHT TIN
2.54 MICROMETERS TIN (MIN)
OVER 0.76 MICROMETERS (MIN) NICKEL
3. FOR DETAILS OF PCB AND BEZEL LAYOUT REFER TO DOCUMENT SD-73927-100.
4. THIS PRODUCT NOT INTENDED FOR LEAD FREE, (RoHS), REFLOW PROCESS.
REFLOW TEMPERATURE SHOULD NOT EXCEED 180°C
5. FOR RoHS COMPLIANT REPLACEMENTS REFER TO MOLEX SERIES 74737.

ENTER DESCRIPTION EC NO: UST2006-0264 DRAWN BY: DRWNS/IMONSON 2006/07/03 CHECKED BY: CHKCB/BRUSSELL 2006/07/06 APPR: BRUSSELL 2006/07/24 A	QUALITY SYMBOLS	GENERAL TOLERANCES (UNLESS SPECIFIED)		DIMENSION STYLE		SCALE	DESIGN UNITS	THIRD ANGLE PROJECTION	
	▽=0 ▽=0	mm	INCH	MM/IN		4:1	METRIC		
		4 PLACES ± --- ± ---	3 PLACES ± --- ± .005	2 PLACES ± 0.13 ± .01	1 PLACE ± 0.25 ± ---	DRAWN BY: KS IMONSON 2005/10/12 CHECKED BY: BRUSSELL 2005/10/12 APPROVED BY: BRUSSELL 2005/10/12	TITLE: SFP CAGE COVER		
		ANGULAR ± 1 °		MATERIAL NO: 739270020		DOCUMENT NO: SD-73927-0020		SHEET NO: 1 OF 1	
DRAFT WHERE APPLICABLE MUST REMAIN WITHIN DIMENSIONS		SIZE D		THIS DRAWING CONTAINS INFORMATION THAT IS PROPRIETARY TO MOLEX INCORPORATED AND SHOULD NOT BE USED WITHOUT WRITTEN PERMISSION					

19 18 17 16 15 14 13 12 11 10 9 8 7 6 5 4 3 2 1



NOTES:

1. MATERIAL: COPPER ALLOY
2. PLATING: BRIGHT TIN
2.54 MICROMETERS TIN (MIN)
OVER 0.76 MICROMETERS (MIN) NICKEL
3. FOR DETAILS OF PCB AND BEZEL LAYOUT REFER TO DOCUMENT SD-73927-100.
4. THIS PRODUCT NOT INTENDED FOR LEAD FREE, REFLOW PROCESS. REFLOW TEMPERATURE SHOULD NOT EXCEED 180°C. FOR REFLOW PROCESSES GREATER THAN 180°C, REFER TO MOLEX SERIES 74737.

ENTER DESCRIPTION EC NO: 2006/0729 DRAWN BY: DORWYN COX CHKD: 2006/08/07 APPR: BRUSSELL 2006/08/15	QUALITY SYMBOLS ▽=0 ▽=0	GENERAL TOLERANCES (UNLESS SPECIFIED)		DIMENSION STYLE		SCALE	DESIGN UNITS	THIRD ANGLE PROJECTION	
		mm	INCH	MM/IN		4:1	METRIC		
REV	DESCRIPTION	4 PLACES ± --- ± ---		DRAWN BY	DATE	TITLE SFP CAGE COVER			
		3 PLACES ± --- ± .005		KS IMONSON	2005/10/12				
		2 PLACES ± 0.13 ± .01		CHECKED BY	DATE	MOLEX INCORPORATED			
		1 PLACE ± 0.25 ± ---		BRUSSELL	2005/10/12				
		ANGULAR ± 1 °		APPROVED BY	DATE	MATERIAL NO. 739270020 DOCUMENT NO. SD-73927-020 SHEET NO. 1 OF 1			
				BRUSSELL	2005/10/12				
DRAFT WHERE APPLICABLE MUST REMAIN WITHIN DIMENSIONS		SIZE	THIS DRAWING CONTAINS INFORMATION THAT IS PROPRIETARY TO MOLEX INCORPORATED AND SHOULD NOT BE USED WITHOUT WRITTEN PERMISSION						

X-ON Electronics

Largest Supplier of Electrical and Electronic Components

Click to view similar products for [Accessories for Robotics and RC](#) category:

Click to view products by [Molex](#) manufacturer:

Other Similar products are found below :

[56T705](#) [015-9516-002](#) [01.001.6453.0](#) [641763-8](#) [CW106-01X](#) [CW30101A](#) [CW31701A](#) [D2041839](#) [70.352.0628.0](#) [73.353.4028.1](#) [FB22001A](#)
[FB30601A](#) [9009030000](#) [9501](#) [121587-0026](#) [1218510-1](#) [1218629-4](#) [1218630-4](#) [1261000A00M001](#) [128-26-5](#) [RFI77-14](#) [1367251-2](#) [14](#) [1-](#)
[449604-1](#) [1460g4](#) [1470g4](#) [DV0PM20034](#) [MS27488-16-1](#) [MS3057-12A W/B](#) [MS3057-8A-624](#) [MS600-2-XP-1A](#) [MS-602-GEE-14-07C](#)
[MS603-12-01A](#) [MS90376-14R](#) [MS90376-16RB](#) [MTB1-11PH3](#) [1676610000](#) [1A9224 REV A](#) [210-115](#) [CA20L22](#) [2227383-1](#) [225-0090-000](#)
[225-0098-000](#) [KA-89-82](#) [CB20201X](#) [KC-89-104](#) [CB30601A](#) [CB31201A](#) [236-600](#) [CBC120210-752](#)