

**PLEASE CHECK WWW.MOLEX.COM FOR LATEST PART INFORMATION**

**Part Number:** [0731740042](#)  
**Status:** **Active**  
**Overview:** DIN 1.0/2.3 Connector and Backplane System  
**Description:** 50 Ohms, DIN 1.0/2.3 / DIN 41626, Right-Angle, Jack, Bag

**Documents:**

[Drawing \(PDF\)](#) [RoHS Certificate of Compliance \(PDF\)](#)

**General**

Product Family	RF/Coax Connectors
Series	73174
Overview	<u>DIN 1.0/2.3 Connector and Backplane System</u>
Product Name	DIN 1.0/2.3, DIN 41626
Style	PCB
UPC	884982643901
Wire/Cable Type	N/A

**Physical**

Gender	Jack
Keying to Mating Part	None
Orientation	Right Angle
PCB Mounting	Through Hole
Packaging Type	Bag
Panel Mount	No
Panel Mount Method	N/A
Reverse Polar	No

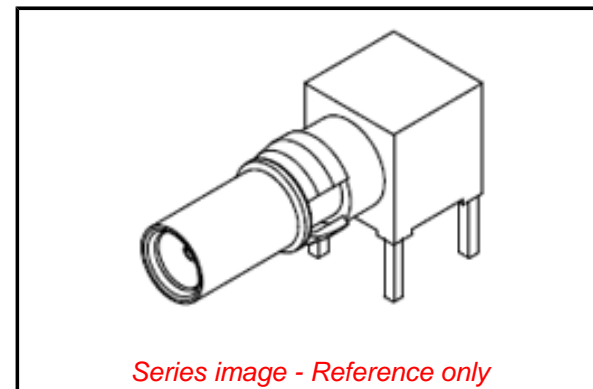
**Electrical**

Impedance	50#
-----------	-----

**Material Info**

**Reference - Drawing Numbers**

Sales Drawing	SD-73174-004
---------------	--------------



*Series image - Reference only*

**EU ELV**

**Not Reviewed**

**EU RoHS**

**Not Reviewed**

**REACH SVHC**

Not Reviewed

**Halogen-Free**

**Status**

**Not Reviewed**

**Need more information on product environmental compliance?**

Email [productcompliance@molex.com](mailto:productcompliance@molex.com)  
Please visit the [Contact Us](#) section for any non-product compliance questions.

China ROHS

Not Reviewed

ELV

Not Reviewed

**Search Parts in this Series**

73174 Series

**PLEASE CHECK WWW.MOLEX.COM FOR LATEST PART INFORMATION**

## X-ON Electronics

Largest Supplier of Electrical and Electronic Components

*Click to view similar products for [RF Connectors](#) / [Coaxial Connectors](#) category:*

*Click to view products by [Molex](#) manufacturer:*

Other Similar products are found below :

[R125315120](#) [8915-1511-000](#) [89674-0827](#) [5916-1103-603](#) [0106-001-000](#) [6-0001-3](#) [6001-7071-019](#) [6002-7051-003](#) [6002-7551-202](#) [6059674-1](#) [619550-1](#) [630059-000](#) [M39012/25-0021](#) [M39012/79-3008](#) [M39030/3-01N](#) [M39030/3-03N](#) [M3933/25-36N](#) [6500-7071-046](#) [6501-1071-002](#) [M83723/72W2457N](#) [6769](#) [CX050L2AQ](#) [7002-1541-010](#) [7002-1572-002](#) [7003-1572-002](#) [7004-1512-000](#) [7009-1511-004](#) [7010-1511-000](#) [7029-1511-060](#) [7101-1541-010](#) [7101-1571-002](#) [7105-1521-002](#) [7145-1521-002](#) [7209-1511-011](#) [7210-1511-012](#) [7210-1511-015](#) [7210-1511-019](#) [7210-1511-040](#) [7225-1512-050](#) [7242-1511-000](#) [73137-5015](#) [73251-0111](#) [73251-0672](#) [73276-1501](#) [73366-0013](#) [73404-2300](#) [73413-6080](#) [73415-5721](#) [7405-1521-005](#) [7405-1521-802](#)