

MATERIALS AND FINISHES

BODY: STAINLESS STEEL  
PLATED PASSIVATED

JAM NUT: BRASS  
PLATED NICKEL

LOCKWASHER: PHOSPHOR BRONZE  
PLATED NICKEL

CENTER CONTACT PHOSPHOR BRONZE  
PLATED GOLD

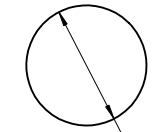
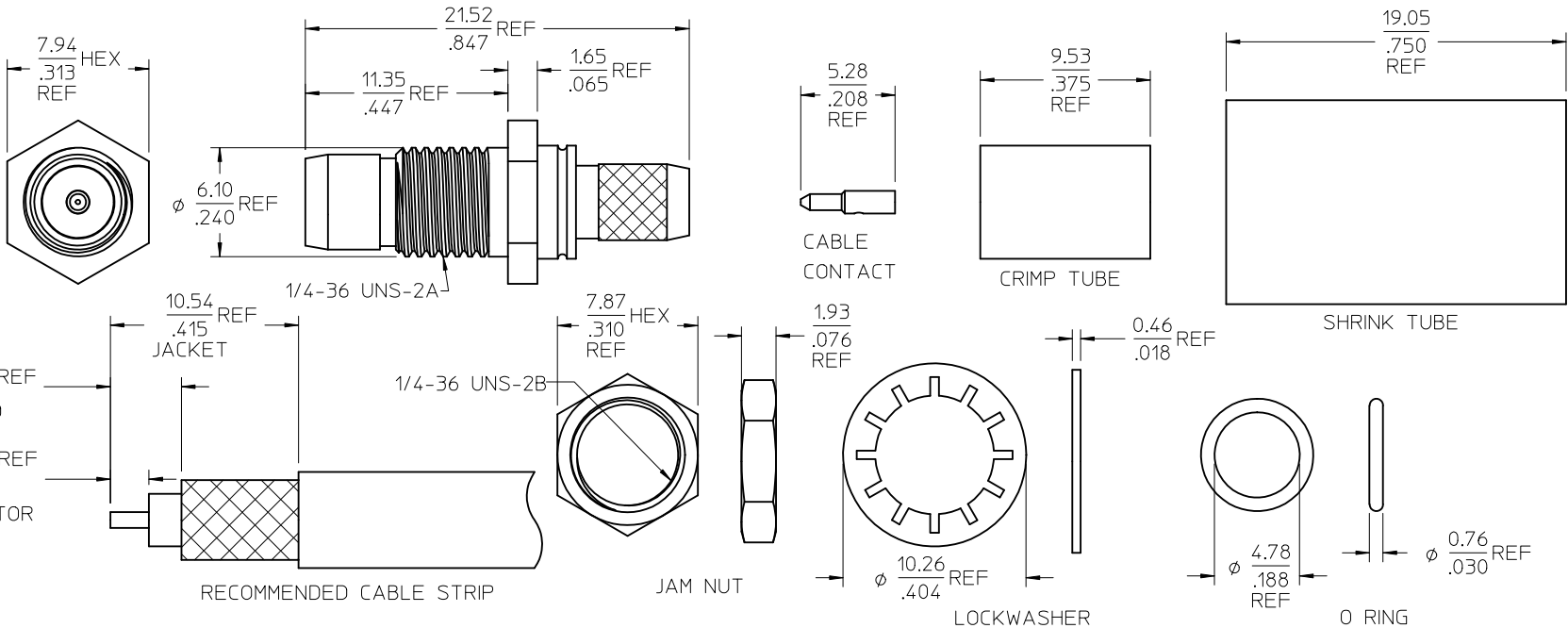
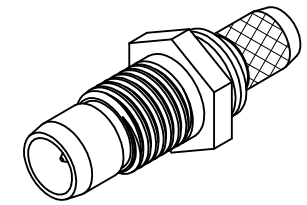
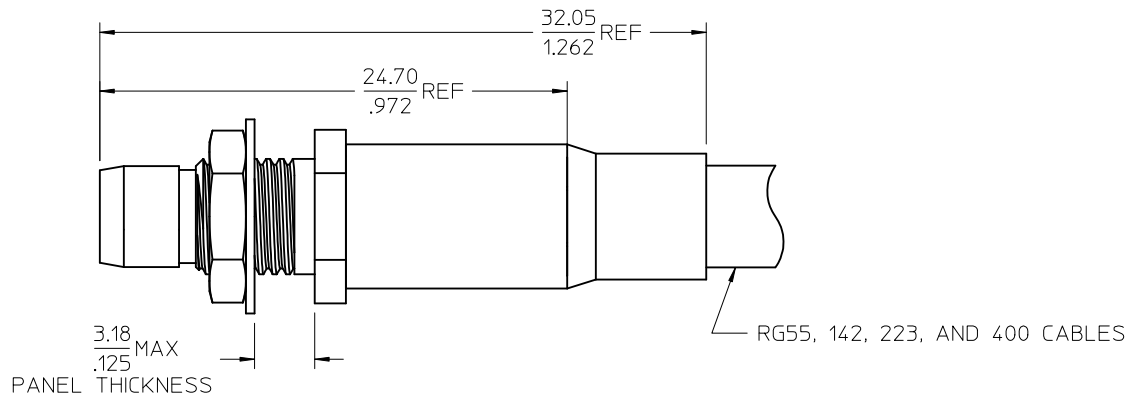
CABLE CONTACT BRASS  
PLATED GOLD

INSULATOR TEFLON

O RING SILICONE RUBBER

CRIMP USING .213 HEX DIE

RECOMMENDED MOUNTING  
HOLE PATTERN



AS-89678-9400	CABLE ASSEMBLY INSTR.
PS-89675-1850	ELECTRO/MECH SPEC.
MIL-STD-348A, FIG. 321.1	INTERFACE
SPECIFICATION	DESCRIPTION

73298-0031	ONE PIECE 73298-0030 PER BAG
73298-0030	BULK
PART NO.	PACKAGING

CHG: CLARIFIED BAGGING. EC NO: URF2010-0369 DRWIN:ROBERTSON 2009/12/18 CHKD:SSS 2009/12/18 APPR:JWIENER 2009/12/18 REV: A2	QUALITY SYMBOLS ▽=0 ▽=0	GENERAL TOLERANCES (UNLESS SPECIFIED) 4 PLACES ± .005 INCH 3 PLACES ± .005 INCH 2 PLACES ± .005 INCH 1 PLACE ± .005 INCH ANGULAR ± 2°	DIMENSION STYLE MM/IN DRAWN BY: TEF DATE: 2003/10/30 CHECKED BY: SSS DATE: 2003/11/04 APPROVED BY: GMH DATE: 2003/11/04	SCALE: METRIC DESIGN UNITS: METRIC THIRD ANGLE PROJECTION	TITLE: BMA PLUG,STR,BLKHD FOR RG55,142,223,400,50 OHM EWR2216 BMA-PC MOLEX INCORPORATED DOCUMENT NO: SD-73298-003 SHEET NO: 1 OF 1
		DRAFT WHERE APPLICABLE MUST REMAIN WITHIN DIMENSIONS	MATERIAL NO: SEE TABLE SIZE: THIS DRAWING CONTAINS INFORMATION THAT IS PROPRIETARY TO MOLEX INCORPORATED AND SHOULD NOT BE USED WITHOUT WRITTEN PERMISSION		

## X-ON Electronics

Largest Supplier of Electrical and Electronic Components

*Click to view similar products for [RF Connectors / Coaxial Connectors](#) category:*

*Click to view products by [Molex](#) manufacturer:*

Other Similar products are found below :

[R125315120](#) [8915-1511-000](#) [89674-0827](#) [5916-1103-603](#) [0106-001-000](#) [6-0001-3](#) [6001-7071-019](#) [6002-7051-003](#) [6002-7551-202](#) [6059674-1](#) [619550-1](#) [630059-000](#) [M39012/25-0021](#) [M39012/79-3008](#) [M39030/3-01N](#) [M39030/3-03N](#) [M3933/25-36N](#) [6500-7071-046](#) [6501-1071-002](#) [M83723/72W2457N](#) [6769](#) [CX050L2AQ](#) [7002-1541-010](#) [7002-1572-002](#) [7003-1572-002](#) [7004-1512-000](#) [7009-1511-004](#) [7010-1511-000](#) [7029-1511-060](#) [7101-1541-010](#) [7101-1571-002](#) [7105-1521-002](#) [7145-1521-002](#) [7209-1511-011](#) [7210-1511-012](#) [7210-1511-015](#) [7210-1511-019](#) [7210-1511-040](#) [7225-1512-050](#) [7242-1511-000](#) [73137-5015](#) [73251-0111](#) [73251-0672](#) [73276-1501](#) [73366-0013](#) [73404-2300](#) [73413-6080](#) [73415-5721](#) [7405-1521-005](#) [7405-1521-802](#)