

SPECIFICATIONS

Material: HEXSEALS: Silicone rubber conforms to A-A-59588 Class 3, GR 50 unless otherwise specified.

Mounting Nut: HEXSEALS: Brass, nickel-plated (unless otherwise noted)

Temperature Range: HEXSEALS: -94°F to +400°F

Pressure Range: Exceeds 15 psi internal and 1500 psi external.

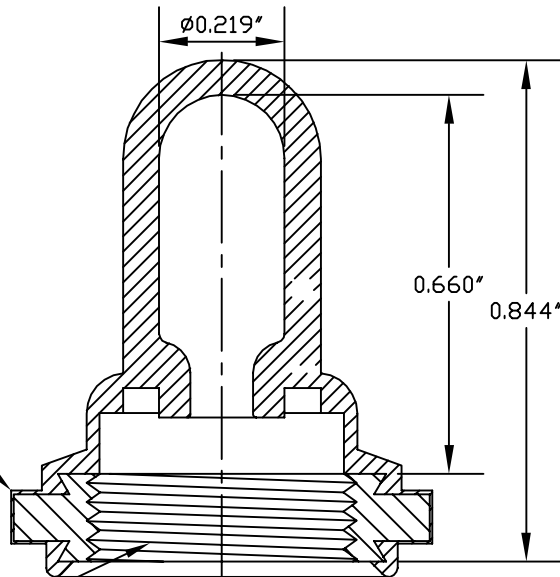
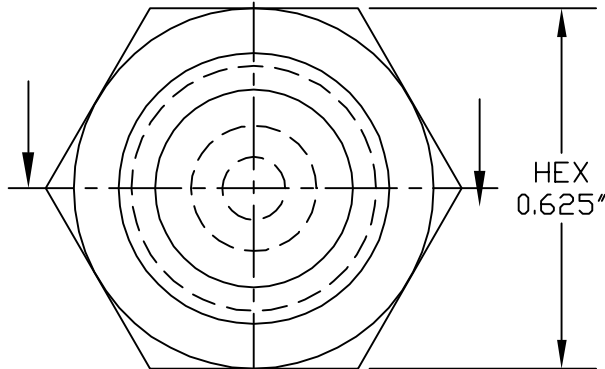
Operational Life: 50,000 actuations (minimum).

Shelf Life: Excess of 25 years.

Resistant to: Salt spray, sunlight, ozone, weather, fungus, and most acids and lubricating oils

Agency Recognition: E-SEELS and HEXSEALS are UL-listed to UL Std. 50 types 1-13, and meet CSA standards.

Installation: If a reducing adaptor is required - see page 14 of HEXSEAL catalog HEX200 for part numbers and drawing.



15/32-32NS-2B

C	MAT'L CHANGED and REDRAWN	S. GOK	06.11.09
B	CAD COMPUTER GENERATED		09.19.02
A	MODIFIED	R.C.	11.16.74
REV.	DESCRIPTION		DATE
	MAXIMUM AND MINIMUM MEASUREMENTS ARE STATED DIRECTLY ON EACH DIMENSION.	ENG.	S. GOK
	MAT'L: Silicone Rubber	DWN.	S. ANDREWS
	A-A-59588, Gr.50	CHKD.	J. CELLA
	FINISH: GRAY	SCALE	(N-1030)
	APM-HEXSEAL CORPORATION	3 : 1	HEXSEAL®
		DWG. NO.	

THIS DRAWING COVERS PROPRIETARY ITEM AND IS THE PROPERTY OF THE APM-HEXSEAL CORPORATION.
THIS DRAWING IS NOT TO BE COPIED OR USED WITHOUT THE WRITTEN APPROVAL OF AN OFFICER OF THE APM-HEXSEAL CORPORATION.

X-ON Electronics

Largest Supplier of Electrical and Electronic Components

Click to view similar products for [apm manufacturer](#):

Other Similar products are found below :

[ENGINEERING KIT-4](#) [N3040](#) [NH3030 RFI](#) [ST1/4-20X1](#) [C1131/28 2201](#) [NC3030 2513](#) [75163](#) [RM5X12MM 2701](#) [ENGINEERING KIT-8](#)
[R8-32X916](#) [#4 Engineering Kit 2701](#) [#6 Engineering Kit 2701](#) [RM3x8mm-4601 BLKOX](#) [R10-24X1/2](#) [R2-56X78](#) [ENGINEERING KIT-6](#)
[ST3/8-16X3/4](#) [1113/43](#) [60225](#) [N1030 2503](#) [R6-32X5/16-2701BLKOX](#) [R8-32 x 58 2615](#) [1813/22LW19-4](#) [CT1050](#) [74402](#) [75031](#) [1231/27](#)
[60220 EPDM](#) [M5 AJ 6 SS](#) [74302](#) [M542310-02](#) [5/16-18 AJ 6](#) [1113/40](#) [RM2.5x6MM 2701](#) [75472](#) [C111380](#) [111347](#) [75123](#) [123132](#) [HE1076](#)
[10-24 AJ 6](#) [SFR8-32X3/8-2615-TP](#) [75142](#) [1/2-13 AJ 6](#) [12381](#) [4082](#) [SFR8-32x1-2701](#) [N-1002](#) [113160 2201](#) [HE-1040](#)