

PLEASE CHECK WWW.MOLEX.COM FOR LATEST PART INFORMATION

Part Number: [0945504202](#)
Status: **Active**
Overview: RAST 5 Connector System
Description: 5.00mm Pitch, Rast 5, PA Polyamide (Nylon) 6/6, UL 94V-2, 2 Circuits, Natural, Glow Wire Compatible

Documents:

[3D Model](#) [Test Summary TS-94550-002 \(PDF\)](#)
[Drawing \(PDF\)](#) [RoHS Certificate of Compliance \(PDF\)](#)
[Product Specification PS-94550-001 \(PDF\)](#)

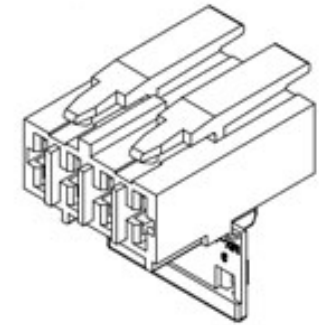
General

Product Family	Crimp Housings
Series	94550
Application	Power, Wire-to-Board
Comments	This Molex product is manufactured from material that has the following ratings, tested by independent agencies :. a) A Glow Wire Ignition Temperature (GWIT) of at least 775 deg C per IEC 60695-2-13.. b) A Glow Wire Flammability Index (GWFI) above 850 deg C per IEC 60695-2-12.and hence complies with the requirements set out in the International Standard IEC 60335-1 5th edition - household and similar electrical appliances - safety; section 30 Resistance to heat and fire.<P><P>The customers using this product must determine its suitability for use in their particular application through testing or other acceptable means as described in end-product glow-wire flammability test standard IEC 60695-2-11 and any applicable product end-use standard(s).<P>If it is determined during the customer's evaluation of suitability, that higher performance is required, please contact Molex for possible product options.
Overview	RAST 5 Connector System
Product Name	RAST 5
UPC	822350722520

Physical

Breakaway	No
Circuits (maximum)	2
Color - Resin	Natural
Gender	Female
Glow-Wire Compliant	Yes
Lock to Mating Part	Yes
Material - Resin	Nylon
Net Weight	1.650/g
Number of Rows	1
Packaging Type	Bag
Panel Mount	No
Pitch - Mating Interface	5.00mm
Pitch - Termination Interface	5.00mm
Polarized to Mating Part	Yes
Ports	1
Stackable	No
Temperature Range - Operating	-40°C to +85°C

Material Info



Series image - Reference only

EU ELV

Compliant

EU RoHS

Compliant

REACH SVHC

Not Contained Per
-ED/79/2015 (17
December 2015)

Halogen-Free

Status

Not Relevant

Need more information on product environmental compliance?

Email productcompliance@molex.com
Please visit the [Contact Us](#) section for any non-product compliance questions.

China ROHS
ELV

Not Relevant
Compliant

Search Parts in this Series

[94550](#) Series

Mates With

Rast 5 Headers, [90858](#) Vertical Header,
[90879](#) Right Angle Header

Use With

[94518](#) Crimp Terminal, [94549](#) Crimp Terminal

Reference - Drawing Numbers

Product Specification

Sales Drawing

Test Summary

PS-94550-001

SD-94550-012

TS-94550-002

This document was generated on 02/01/2016

PLEASE CHECK WWW.MOLEX.COM FOR LATEST PART INFORMATION

X-ON Electronics

Largest Supplier of Electrical and Electronic Components

Click to view similar products for [Headers & Wire Housings](#) category:

Click to view products by [Molex](#) manufacturer:

Other Similar products are found below :

[95000-104TRLF](#) [10135584-644402LF](#) [DF62W-EP2022PCA](#) [95000-106TRLF](#) [DF62W-2022SCA](#) [DF62W-EP2022PC](#) [2203348](#) [DF62W-2022SC](#) [1084018](#) [1029039](#) [1084017](#) [802-10-012-10-002000](#) [1112640](#) [1112639](#) [000-34000](#) [0009482033](#) [0009507031](#) [57102-S06-03LF](#) [57202-S52-04LF](#) [PCN6-15S-2.5E](#) [0039019024](#) [58102-G61-06LF](#) [582553-1](#) [0009485154](#) [0009508121](#) [0022285053](#) [0050291907](#) [018731A](#) [LY20-4P-DT1-P1E-BR](#) [02.125.8002.8](#) [60101931](#) [60598-1 \(Cut Strip\)](#) [M1625-3R/100](#) [61062-3](#) [61082-181009](#) [636-1427](#) [638009-1](#) [641938-9](#) [641991-4](#) [644168-1](#) [647662-1](#) [65039-019ELF](#) [65817-002LF](#) [65817-015LF](#) [65863-015LF](#) [66207-023LF](#) [67016-026LF](#) [67046-001LF](#) [67095-007LF](#) [67230-005LF](#)