


PSR-SCP- 24UC/ESA4/2X1/1X2

Order No.: 2963750

<http://eshop.phoenixcontact.co.uk/phoenix/treeViewClick.do?UID=2963750>

Safety relay to emergency stop and safety door monitoring up to SIL 3 or Cat. 4, PL e according to EN ISO 13849, one- or two-channel operation, automatic activation, 2 enabling current paths, nominal input voltage 24 V AC/DC



| Commercial data | |
|--------------------------|--|
| EAN |  4 017918 823634 |
| Pack | 1 |
| Customs tariff | 85364900 |
| Country of Origin | DE |
| Catalog page information | Page 20 (IF-2009) |

Product notes

WEEE/RoHS-compliant since:
30/03/2006

Please note that the data given here has been taken from the online catalog. For comprehensive information and data, please refer to the user documentation at <http://www.download.phoenixcontact.com>. The General Terms and Conditions of Use apply to Internet downloads.

Technical data

Input data

| | |
|---|--------------|
| Nominal input voltage U_N | 24 V AC/DC |
| Input voltage range in reference to U_N | 0.85 ... 1.1 |
| Typical input current at U_N | 140 mA AC |
| | 65 mA DC |

| | |
|---|--|
| Voltage at input/start and feedback circuit | Approx. 24 V DC |
| Typical response time | 100 ms (automatic start) |
| Typical release time | 45 ms (single-channel) 10 ms (two-channel) |
| Concurrence input 1/2 | Infinite |
| Recovery time | 1 s |
| Max. permissible overall conductor resistance | Approx. 50 Ω (Input and start circuits at U _N) |

Output data

| | |
|--|--|
| Contact type | 2 enabling current paths, 1 signaling current path |
| Contact material | AgSnO ₂ , + 0.2 μm Au |
| Maximum switching voltage | 250 V AC/DC |
| Minimum switching voltage | 15 V AC/DC |
| Limiting continuous current | 6 A (N/O contact) |
| Maximum inrush current | 6 A |
| Inrush current, minimum | 25 mA |
| Sq. Total current | $72 \text{ A}^2 (I_{TH}^2 = I_1^2 + I_2^2)$ |
| Interrupting rating (ohmic load) max. | 144 W (24 V DC, τ = 0 ms) 288 W (48 V DC, τ = 0 ms) 77 W (110 V DC, τ = 0 ms) 88 W (220 V DC, τ = 0 ms) 1500 VA (250 V AC, τ = 0 ms) |
| Maximum interrupting rating (inductive load) | 48 W (24 V DC, τ = 40 ms) 40 W (48 V DC, τ = 40 ms) 35 W (110 V DC, τ = 40 ms) 35 W (220 V DC, τ = 40 ms) |
| Switching capacity min. | 0.4 W |
| Output fuse | 10 A gL/gG NEOZED (N/O contact) 6 A gL/gG NEOZED (N/C contact) |

General data

| | |
|---|------------------|
| Width | 22.5 mm |
| Height | 99 mm |
| Depth | 114.5 mm |
| Ambient temperature (operation) | -20 °C ... 55 °C |
| Ambient temperature (storage/transport) | -40 °C ... 70 °C |

| | |
|----------------------------------|--|
| Relay type | Electromechanically forcibly guided, dust-proof relay. |
| Mechanical service life | Approx. 10^7 cycles |
| Mounting position | Any |
| Category according to EN 13849-1 | 4 |
| Stop category | 0 |
| Name | Air and creepage distances between the power circuits |
| Standards/regulations | DIN EN 50178/VDE 0160 |
| Rated surge voltage / insulation | 6 kV / Safe isolation, increased insulation |
| Rated insulation voltage | 250 V |
| Pollution degree | 2 |
| Surge voltage category | III |
| Housing material | Polyamide PA non-reinforced |

Connection data

| | |
|--|---------------------|
| Conductor cross section solid min. | 0.2 mm ² |
| Conductor cross section solid max. | 2.5 mm ² |
| Conductor cross section stranded min. | 0.2 mm ² |
| Conductor cross section stranded max. | 2.5 mm ² |
| Conductor cross section AWG/kcmil min. | 24 |
| Conductor cross section AWG/kcmil max | 12 |
| Stripping length | 7 mm |
| Screw thread | M3 |
| Connection method | Screw connection |

Certificates

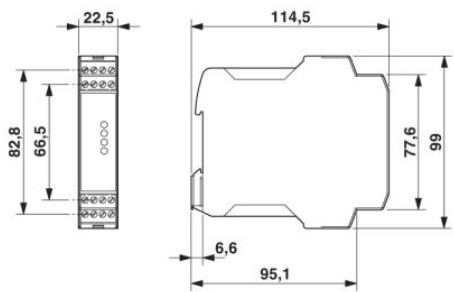


Certification

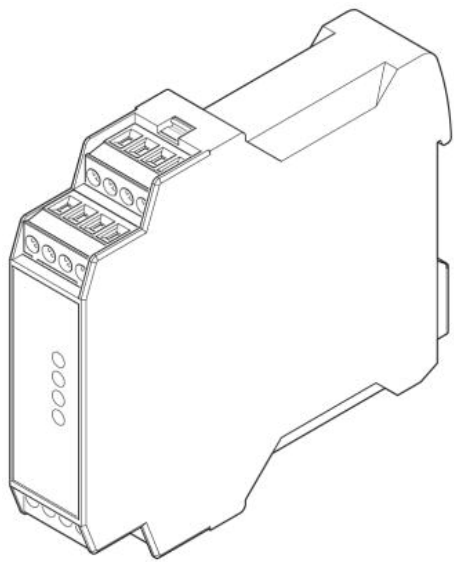
CUL Listed, GOST, TUEV-RH, UL Listed

Drawings

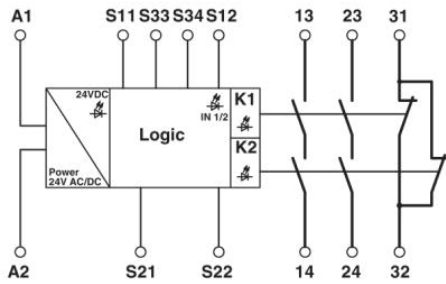
Dimensioned drawing



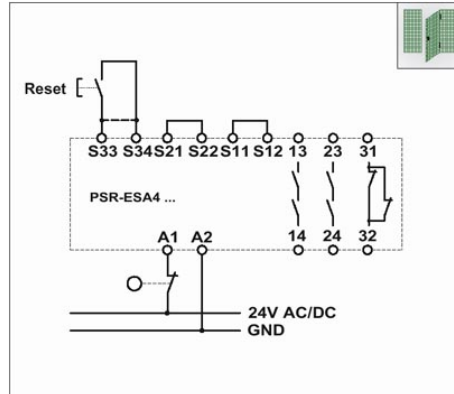
Product drawing



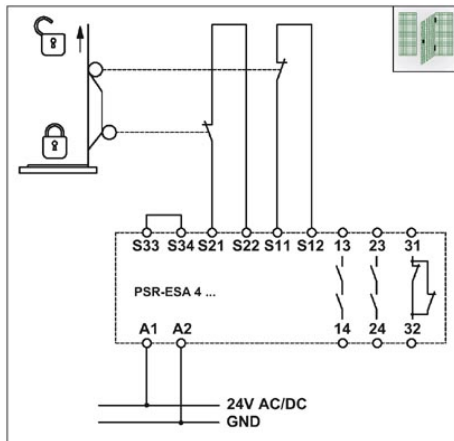
Circuit diagram



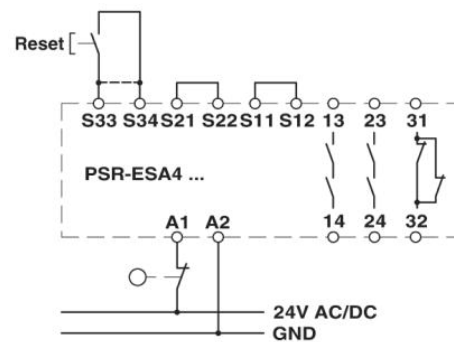
1 = logics



Single-channel protective door monitoring with automatic activation, suitable up to safety category 2 (EN 954-1)



Two-channel safety door monitoring with cross monitoring and automatic activation, suitable up to safety category 4.



Single-channel protective door monitoring with automatic activation, suitable up to safety category 2 (EN 954-1)

Address

PHOENIX CONTACT Ltd
Halesfield 13
Telford / Shropshire / TF7 4PG,England
Phone 01952 681 700
Fax 01952 681 799
<http://www.phoenixcontact.co.uk>



Phoenix Contact Ltd.
Technical modifications reserved;

X-ON Electronics

Largest Supplier of Electrical and Electronic Components

Click to view similar products for [Safety Relays](#) category:

Click to view products by [Phoenix Contact](#) manufacturer:

Other Similar products are found below :

[7-1618103-5](#) [1351-1X](#) [1618089-2](#) [C200HDA003](#) [C200HMR432](#) [C200HMR832](#) [C200HMR833](#) [20-050-36X](#) [C500OD415CN](#) [2-1618068-0](#)
[25994](#) [9-1618103-2](#) [SP10-ETL01](#) [21-890](#) [3-1618060-0](#) [C200HNC112](#) [C200HOD214](#) [C500CN812N](#) [1100X](#) [1100-42X](#) [1-1618062-0](#) [6-](#)
[1618082-4](#) [7-1618103-6](#) [50.12.9.110.1000](#) [SP16DRD](#) [SP16DRA](#) [XPSAXE5120P](#) [XPSECPE5131P](#) [C500-CE243](#) [607.5111.020](#) [439390016](#)
[607.5111.009](#) [607.5111.010](#) [PSR-MM25-1NO-2DO-24DC-SC](#) [NXSL5500](#) [600PSR-165/300-CU](#) [SR4D4110](#) [J73KN-AM-22](#) [G7SA-3A1B](#)
[DC12](#) [G7SA-4A2B](#) [DC12](#) [G7SA-3A1B](#) [DC48](#) [G7SA-2A2B](#) [DC48](#) [ES-FA-9AA](#) [50.12.9.024.5000](#) [44510-2310](#) [V23047-A1036-A501](#) [44510-](#)
[1081](#) [44510-2021](#) [44510-2232](#) [WUF-12-5060-T](#)