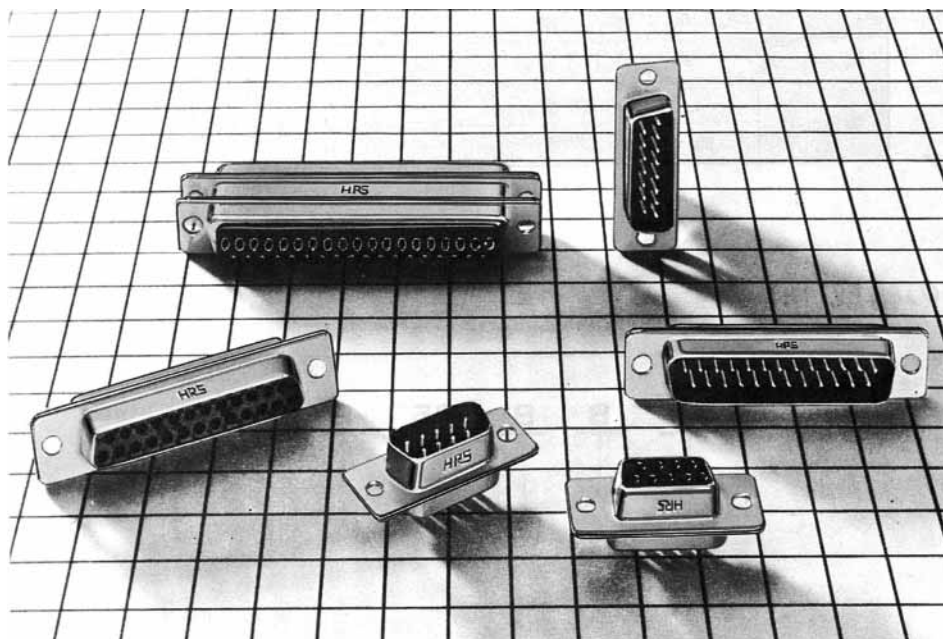


# HD SERIES SOLDER TYPE D SUBMINIATURE CONNECTOR

## General

H D Series subminiature connectors with stamped contacts are easy to solder to a wide variety of stranded and single conductor cables. 9, 15, 25, 37 and 50-contact models available.



## Features

- (1) Compact and sturdy due to metal shell.
- (2) Large solder cup enables use of wire up to 20 AWG.
- (3) Glass filled P.B.T. resin insulator offers excellent resistance to heat and chemicals.
- (4) Available in various plug cases such as CTF and CTH. A wide variety of combinations available, such as straight dipping (SD), right angle dipping (RD), crimping (CD), and ribbon IDC termination (FD).

## Application

Computers, peripherals and terminals, control equipment, radio equipment, and measuring instruments.

## Electrical and Environmental

| Electrical and Environmental Characteristics |                           |
|--|---------------------------|
| Current capacity                             | 3A                        |
| Rated voltage                                | 400V AC                   |
| Insulation resistance                        | 5000mΩ min.<br>at 500V DC |
| Contact resistance                           | 7mΩ max.<br>at 100mA DC   |
| Withstand voltage                            | 1250Vrms AC for 1 minute  |

| Material and finish |                |                         |
|---------------------|----------------|-------------------------|
| Shell               | Steel          | Nickel plating          |
| Insulator           | PBT (GE Valox) | Black                   |
| Contact             | Male           | Copper alloy            |
|                     | Female         | Phosphor bronze         |
|                     |                | Selective Gold + Nickel |

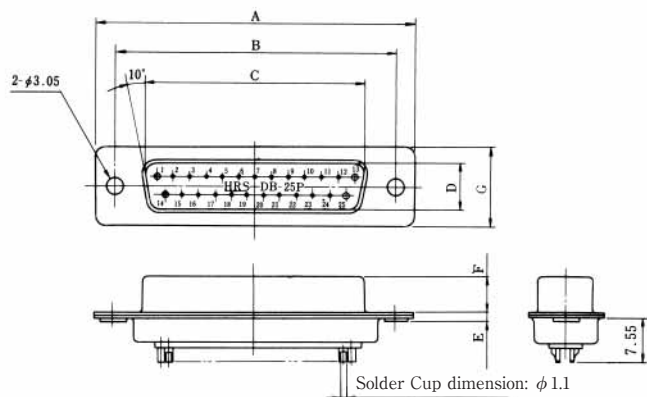
## Ordering Informations

HD B B — 25 P F (05)  
 (1) (2) (3) (4) (5) (6) (7)

- (1) Model number symbol HD: D sub-soldering type
- (2) Shell size: E, A, B, C and D
- (3) Serial symbols by type of connector unit:
- (4) Number of poles: 9, 15, 25, 37 and 50
- (5) Terminal opening shape symbol
  - P: male terminal
  - S: female terminal
- (6) F: shell dimple machined
- (7) Specification contents
  - (05): Shell: Nickel plating
  - Termination of contact: Nickel plating+gold flash plating



HDBB-25P (05)

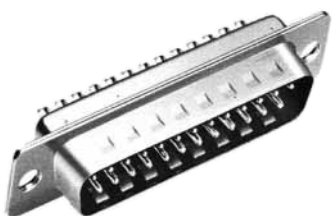


Note 1: Soldering should be made within 4 seconds using a soldering iron of 40 W or less.

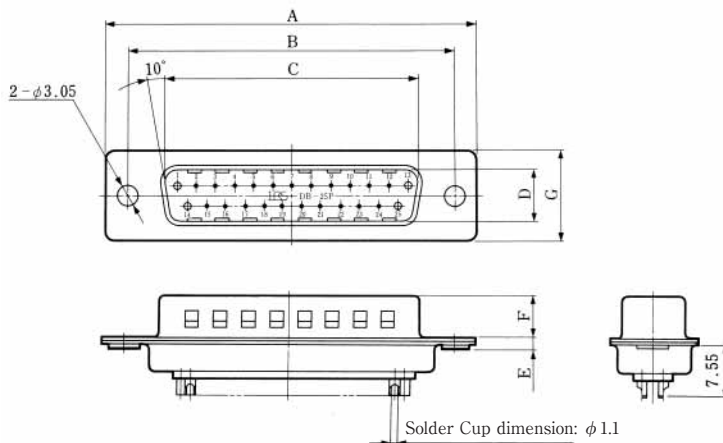
Note 2: The figure shows a 25-contact model (HDBB-25P (05))

Unit: mm

| HRS No          | No. of pin | Part No.      | A     | B     | C     | D     | E   | F    | G     | RoHS |
|-----------------|------------|---------------|-------|-------|-------|-------|-----|------|-------|------|
| CL211-0232-6-05 | 9          | HDEB-9P (05)  | 30.81 | 24.99 | 16.9  | 8.34  | 1.2 | 5.99 | 12.55 | YES  |
| CL211-0234-1-05 | 15         | HDAB-15P (05) | 39.14 | 33.32 | 25.24 | 8.34  | 1.2 | 5.99 | 12.55 |      |
| CL211-0215-7-05 | 25         | HDBB-25P (05) | 53.04 | 47.04 | 39.01 | 8.4   | 1.3 | 5.87 | 12.55 |      |
| CL211-0236-7-05 | 37         | HDCB-37P (05) | 69.32 | 63.5  | 55.47 | 8.4   | 1.4 | 5.87 | 12.55 |      |
| CL211-0393-5-05 | 50         | HDDB-50P (05) | 66.93 | 61.11 | 52.85 | 11.13 | 1.5 | 5.87 | 15.37 |      |



HDBB-25PF (05)



Note 1: Soldering should be made within 4 seconds using a soldering iron of 40 W or less.

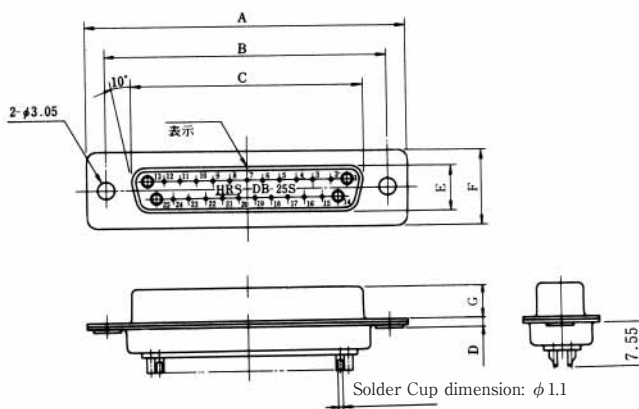
Note 2: The figure shows a 25-contact model (HDBB-25PF (05))

Unit: mm

| HRS No          | No. of pin | Part No.       | A     | B     | C     | D    | E   | F    | G     | RoHS |
|-----------------|------------|----------------|-------|-------|-------|------|-----|------|-------|------|
| CL211-0566-1-05 | 9          | HDEB-9PF (05)  | 30.81 | 24.99 | 16.9  | 8.34 | 1.2 | 5.99 | 12.55 | YES  |
| CL211-0563-3-05 | 15         | HDAB-15PF (05) | 39.14 | 33.32 | 25.24 | 8.4  | 1.3 | 5.87 |       |      |
| CL211-0564-6-05 | 25         | HDBB-25PF (05) | 53.04 | 47.04 | 39.01 | 8.4  | 1.3 | 5.87 |       |      |
| CL211-0567-4-05 | 37         | HDCB-37PF (05) | 69.32 | 63.5  | 55.47 | 8.4  | 1.4 | 5.87 |       |      |



HDBB-25S (05)



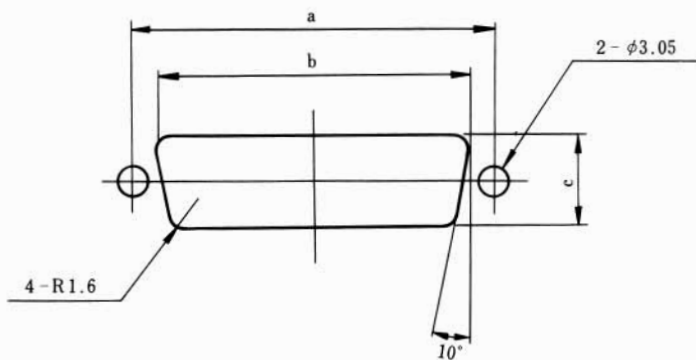
Note 1: Soldering should be made within 4 seconds using a soldering iron of 40 W or less.

Note 2: The figure shows a 25-contact model (HDBB-25S (05))

Unit: mm

| HRS No          | Noof pin | Part No.      | A     | B     | C     | D   | E     | F     | G    | RoHS |
|-----------------|----------|---------------|-------|-------|-------|-----|-------|-------|------|------|
| CL211-0233-9-05 | 9        | HDEB-9S (05)  | 30.81 | 24.99 | 16.4  | 1.2 | 7.82  | 12.55 | 6.17 | YES  |
| CL211-0235-4-05 | 15       | HDAB-15S (05) | 39.14 | 33.32 | 24.59 | 1.2 | 7.82  | 12.55 | 6.17 |      |
| CL211-0216-0-05 | 25       | HDBB-25S (05) | 53.04 | 47.04 | 38.3  | 1.2 | 7.82  | 12.55 | 6.17 |      |
| CL211-0237-0-05 | 37       | HDCB-37S (05) | 69.32 | 63.5  | 54.76 | 1.2 | 7.82  | 12.55 | 6.17 |      |
| CL211-0394-8-05 | 50       | HDDB-50S (05) | 66.93 | 61.11 | 52.35 | 1.2 | 10.63 | 15.37 | 6.17 |      |

## Mounting Cutout



Unit: mm

| Shell Size | a     | b    | c    |
|------------|-------|------|------|
| E          | 24.99 | 20.2 | 11.5 |
| A          | 33.32 | 28.6 | 11.5 |
| B          | 47.04 | 42.3 | 11.5 |
| C          | 63.5  | 58.7 | 11.5 |
| D          | 61.11 | 56   | 14.3 |

## X-ON Electronics

Largest Supplier of Electrical and Electronic Components

*Click to view similar products for [D-Sub Standard Connectors](#) category:*

*Click to view products by [Hirose](#) manufacturer:*

Other Similar products are found below :

[DCM37S732N](#) [DAM15P500](#) [DEV09S364GTLF](#) [DEM09P032N](#) [DDM50P732N](#) [DAM15S332N](#) [173109-2218](#) [173109-2466](#) [173109-2436](#)  
[173109-2435](#) [56F706-005-LI](#) [56F711-015](#) [015-0341-000](#) [015-0372-008](#) [015-8544-011](#) [017041-0005](#) [020419-0104](#) [012-0515-000](#) [012-9507-](#)  
[034](#) [012-9507-114](#) [012-9534-001](#) [020745-0008](#) [609-25P](#) [M24308/2-23Z](#) [M243082310F](#) [M243082410F](#) [M243082411F](#) [M24308/4-21](#)  
[CT1A18-11PSA206](#) [CT1N36-5SC](#) [CT2-16S-17PS](#) [CT2-20-15PCAU](#) [CT2-24-12PS](#) [CT2-24-28PSF127A206](#) [CT2-32-9PC](#) [CT6F9767-14-4-](#)  
[14S-5PC](#) [CT6FA10SL-4PS](#) [CT7-18-10SC](#) [CT7-18-10SCAU](#) [CT7-18-12SCAU](#) [CT7-18-1PC](#) [CT7-18-1PCAU](#) [CT7-18-21SCAU](#) [M83513/01-](#)  
[FC](#) [M83723/76W24619 L/C](#) [M85049/48-3-2F](#) [69001-865](#) [6STD09PCM99B70X](#) [6STD09SCM99B30X](#) [6STD09SCT99S40X](#)