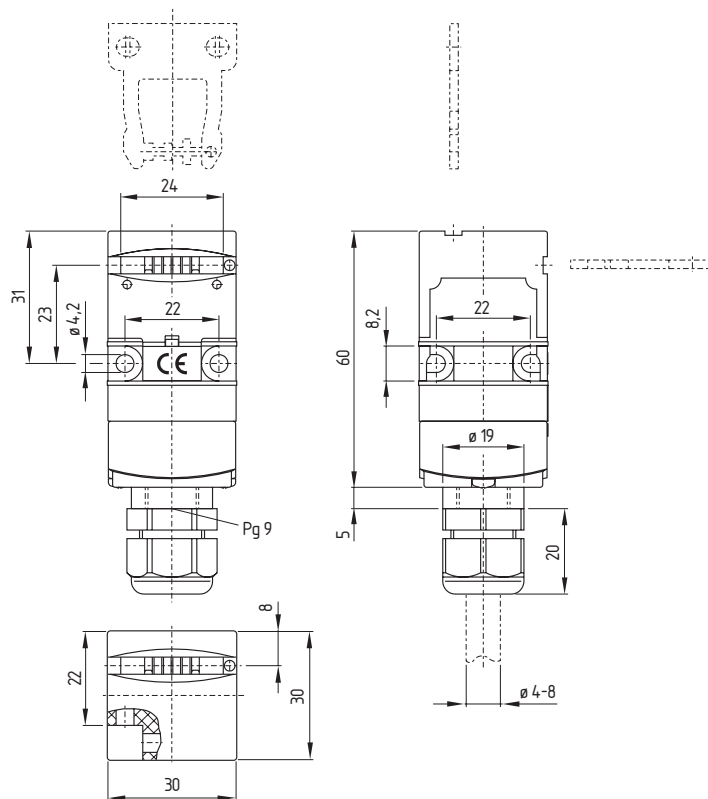


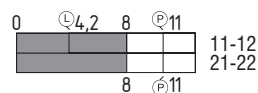
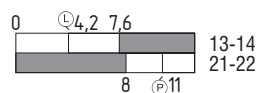
1. Safety switches with separate actuator / Class 2
1.14 AZ 17zi range



Features

- Thermoplastic enclosure
- Compact design
- **Individual coding**
- Long life
- Double insulated □
- Including Pg cable gland
- Slot sealing plug included
- High level of contact reliability with low voltages and currents
- Not sensitive to dirty conditions by virtue of patented roller system
- 8 actuating planes
- Cut clamp terminals
- Also available with pre-wired cable

**Contacts/
Switch travel**



Latching force 5 N
 Latching force 30 N

AZ 17-11zi
AZ 17-11zri

AZ 17-02zi
AZ 17-02zri

Notes

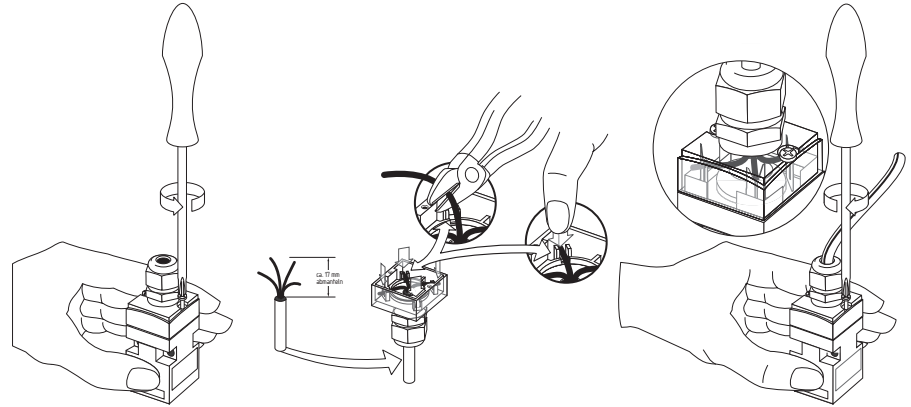
Inserted position of actuator = 0 in switch travel diagrams.
 Actuator is provided.
 A selection of suitable actuators can be found in 1.16.
The part number of the actuator must be added as suffix to the part number of the switch selected from the table "Contacts/Switch travel".

1. Safety switches with separate actuator / Class 2

1.14 AZ 17zi range



Cut clamp This type of termination (IDC) method enables simple connection of flexible conductors without the need for the use of conductor ferrules.



- Included in delivery**
- Individually coded actuator, not available as spare part
 - Tamperproof screws
 - Slot sealing plugs

- AZ 17zi with pre-wired cable**
- Front cable entry, ordering suffix -2243
 - Rear cable entry, ordering suffix -2243-1

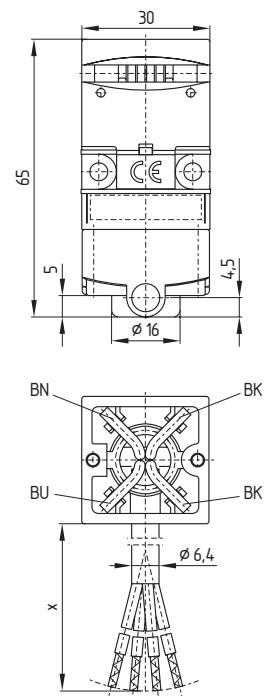
- Cable lengths**
- 5 metres long Ordering suffix -5m
 - 6 metres long Ordering suffix -6m
 - Other lengths of cable on enquiry

Ordering details To order, select the part number of the desired switch from the table "Contacts/Switch travel", e.g. safety switch with individual coding, with two NC contacts, with 5 N latching force and straight actuator: AZ 17-02zi-B1

Safety switch and actuator are included in delivery.

- Info**
- With gold-plated contacts (0.3 µm), ordering suffix -1637

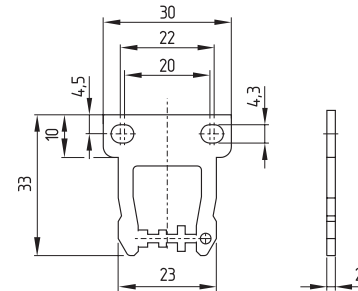
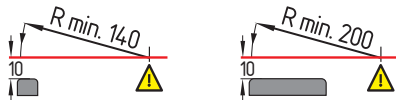
- Approvals**
- D
 - S
 - USA
 - CAN





Coded straight actuator B1

- Particularly suitable for sliding doors
- On hinged guards, minimum actuating radius at 90° to the plane of the actuator 140 mm, minimum actuating radius in line with the plane of the actuator 200 mm

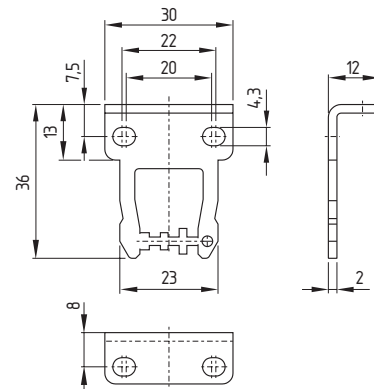
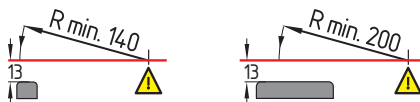


- The axis of the hinge should be 10 mm above the top edge of the safety switch and in the same plane

Note The actuator is **not available separately**.

Coded angled actuator B5

- Particularly suitable for hinged guards (front mounting)
- On hinged guards, minimum actuating radius at 90° to the plane of the actuator 140 mm, minimum actuating radius in line with the plane of the actuator 200 mm

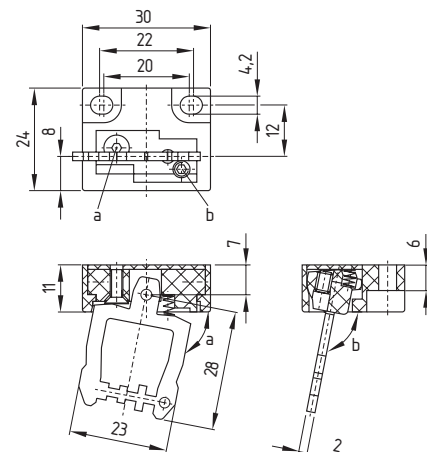
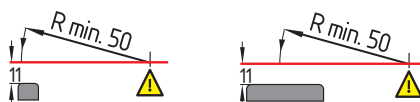


- The axis of the hinge should be 13 mm above the top edge of the safety switch and in the same plane

Note The actuator is **not available separately**.

Coded adjustable actuator left-hand version B6L

- For very small actuating radii in line with or at 90° to the plane of the actuator
- Actuating radius adjustable, minimum 50 mm, using an hexagonal key wrench 2 mm A/F (a and b)



- The axis of the hinge should be 11 mm above the top edge of the safety switch and in the same plane

Note The actuator is **not available separately**.

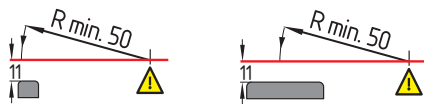
1. Safety switches with separate actuator / Class 2

1.16 Actuators



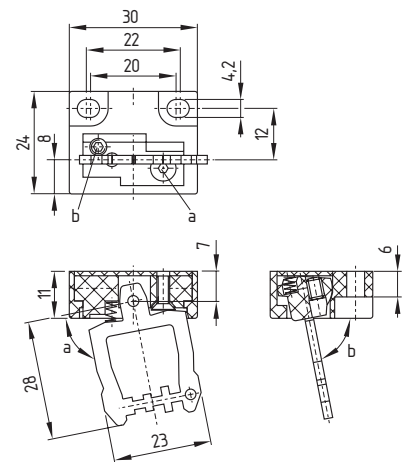
Coded adjustable actuator right-hand version B6R

- For very small actuating radii in line with or at 90° to the plane of the actuator
- Actuating radius adjustable, minimum 50 mm, using an hexagonal key wrench 2 mm A/F (a and b)



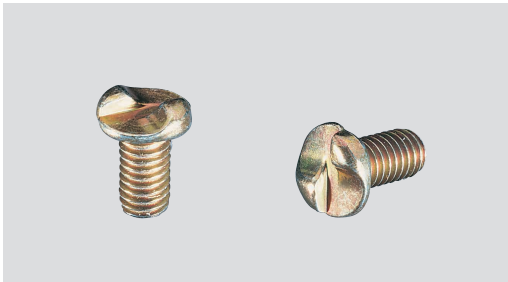
- The axis of the hinge should be 11 mm above the top edge of the safety switch and in the same plane

Note The actuator is **not available separately**.





Tamperproof screws



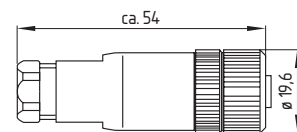
Screw lengths

Pan-head screws
M 4 x 8, Id. No.: 504 239 6001

Supplied in sets of 2 screws

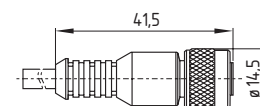
- To mount the actuator
- Higher protection against tampering with interlock
- Protects against unauthorised removal of actuator

Connector plug M 12 x 1 for AZ 17zi-ST with connector



- Straight connector plug
- Unwired
- A-coding: part number Series 713

Connector plug M 12 x 1 for AZ 17zi-ST with connector



- Straight connector plug with pre-wired cable
- Cable 5 m long
- Conductors: 4 x 0.75 mm²
- A-coding: part number Series 763

1. Safety switches with separate actuator / Class 2
1.29 Technical data



	AZ 15 / AZ 16 AZ 16zi	AZ 16-ST AZ 16zi-ST	AZ 17 AZ 17zi
Standards:	IEC/EN 60947-5-1; EN 1088; BG-GS-ET-15		
Enclosure material:	Glass-fibre reinforced thermoplastic, self-extinguishing		
Actuator:	Stainless steel 1.4301		
Protection class:	IP 67 to IEC/EN 60529		
Contact material:	Silver		
Contact type:	Change-over with double break Zb or 2 NC or 3 NC contacts, with galvanically separated contact bridges		Change-over with double break Zb or 2 NC contacts, with galvanically separated contact bridges
Switching system:	⊖ IEC 60947-5-1; ⊕ BG-GS-ET-15; slow action, NC contact with positive break		
Termination:	Screw terminals for max. 2.5 mm ² cables (including conductor ferrules)	Connector M 12 x 1, four pole	Cut clamp (IDC) method 0.75 to 1.0 mm ² , flexible
Rated impulse withstand voltage U _{imp} :	6 kV		4 kV
Rated insulation voltage U _i :	500 V		250 V
Thermal test current I _{th} :	10 A		
Utilisation category:	AC-15; DC-13		AC-15
Rated operating current/voltage I _e /U _e :	4 A/230 VAC; 4 A/24 VDC		4 A/230 V
Max. fuse rating:	6 A gL/gG D-fuse		4 A (slow blow)
Positive break travel:	8 mm		11 mm
Positive break force:	10 N for each NC contact fitted		17 N for each NC contact fitted
Ambient temperature:	- 30 °C ... + 80 °C		
Mechanical life:	> 1 million operations		



1. Safety switches with separate actuator / Class 2
1.29 Technical data



	AZ 17-ST AZ 17zi-ST	AZ 335 AZ 355	AZ 415
Standards:	IEC/EN 60947-5-1/DIN VDE 0660-200; EN 1088; BG-GS-ET-15		
Enclosure material:	Glass-fibre reinforced thermo-plastic, self-extinguishing	Light-alloy diecasting, paint finish	
Actuator:	Stainless steel 1.4301	Zinc-plated brass/aluminium	
Protection class:	IP 67 to IEC/EN 60529/DIN VDE 0470-1		
Contact material:	Silver		
Contact type:	Changeover with double break Zb or 2 NC contacts, with galvanically separated contact bridges	Changeover with double break Zb or 2 NC or 3 NC contacts, galvanically isolated moving contacts	
Switching system:	⊖ IEC 60947-5-1; ⊕ BG-GS-ET-15; slow action, NC contact with positive break		
Termination:	Connector M 12 x 1, four pole	Screw terminals; for max. 2.5 mm ² cables (including conductor ferrules)	
Rated impulse			
withstand voltage U _{imp} :	4 kV	2 contacts: 6 kV, 3 contacts: 4 kV	4 kV
Rated insulation			
voltage U _i :	250 V	2 contacts: 500 V, 3 contacts: 250 V	250 V
Thermal test current I _{th} :	10 A		
Utilisation category:	AC-15		
Rated operating			
current/voltage I _e /U _e :	4 A/230 V	4 A/230 V 2.5 A/400 V 1 A/500 V	4 A/230 V
Max. fuse rating:	4 A (slow blow)	6 A (slow blow)	
Positive break travel:	11 mm	10.7 mm	5 mm
Positive break force:	17 N for each NC contact fitted	5 N for each NC contact fitted	Min. 15 N
Ambient temperature:	- 30 °C ... + 80 °C	- 30 °C ... + 90 °C	- 25 °C ... + 80 °C
Mechanical life:	> 1 million operations	10 million operations	> 1 million operations



X-ON Electronics

Largest Supplier of Electrical and Electronic Components

Click to view similar products for [Basic / Snap Action Switches](#) category:

Click to view products by [Schmersal](#) manufacturer:

Other Similar products are found below :

[83228001](#) [01.098.1358.1](#) [602EN1-6B](#) [602EN532](#) [602EN535-RB](#) [602HE5-RB1](#) [604HE162](#) [604HE223-6B](#) [624HE17-RB](#) [6HM89](#) [6PA78-JM](#)
[6SE1](#) [6SX1-H58](#) [70500840](#) [MBD5B1](#) [MBH2731](#) [73-316-0012](#) [79211759](#) [79211923](#) [79218589](#) [7AS12](#) [ML-1155](#) [ML-1376](#) [831010C3.0](#)
[831060C3.TL](#) [831090C2.EL](#) [83131904](#) [84212012](#) [8AS239](#) [8HM73-3](#) [903VB1-PG](#) [914CE1-6G](#) [PL-100](#) [11SM1077-H4](#) [11SM1077-H58](#)
[11SM1-TN107](#) [11SM405](#) [11SM703-T](#) [11SM8423-H2](#) [11SX37-T](#) [11SX48-H58](#) [11SX55-H58](#) [11SM2442-T](#) [11SM76-T](#) [11SM77-H58](#)
[11SM77-T](#) [11SM863-T](#) [11SM866](#) [11SX47-H58](#) [A7CN-1M-1-LEFT](#)