

SPECIFICATIONS

Material: APM RUBGLAS™ (transparent silicone rubber), polymer type, ASTM D1418.

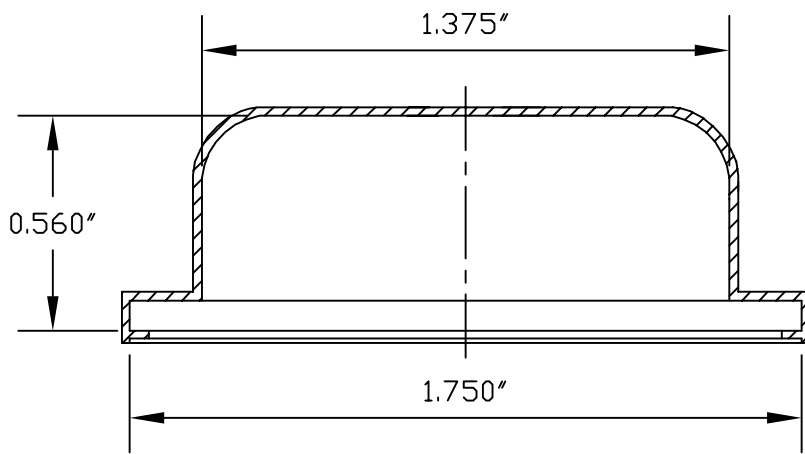
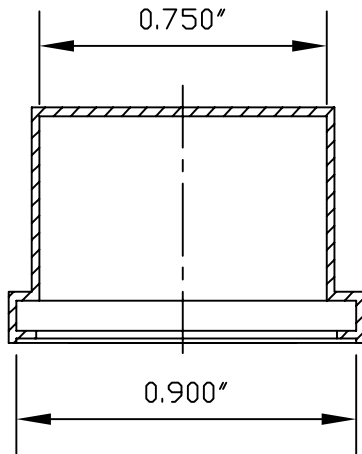
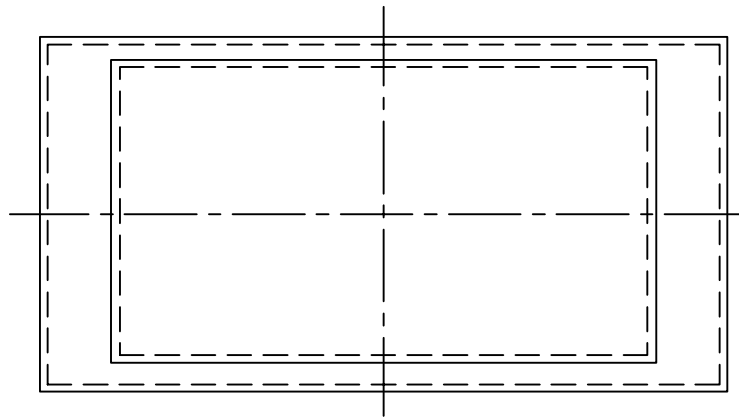
Temperature Range: -80°F to +400°F

Operational Life: 50,000 actuations (minimum).

Shelf Life: Excess of 25 years.

Resistant to: Salt spray, sunlight, ozone, weather, fungus, and most acids and lubricating oils

Agency Recognition: Rock-R-Seals™ are UL-listed to UL Std. 50, types 1,2, 4R, 5, 12, 12k, 13 and meet CSA standard



B	CHANGED DWG # FROM C1113/80 to 1113/80, REVISED TITLE FOR ACCURACY		07.22.08
A	CAD COMPUTER GENERATED		10.23.02
REV.	DESCRIPTION		DATE
MAXIMUM AND MINIMUM MEASUREMENTS ARE STATED DIRECTLY ON EACH DIMENSION.	MATERIAL	ROCKER COVER FOR P/B W33	ENG. S. GOK 07.22.08
			DWN. M.M. 02.21.86
MAT'L: RUBGLAS®	APM-HEXSEAL CORPORATION	CHKD. J. CELLA 07.22.08	
FINISH: TRANSPARENT		SCALE 2:1	DWG. NO. 1113/80

THIS DRAWING COVERS PROPRIETARY ITEM AND IS THE PROPERTY OF THE APM-HEXSEAL CORPORATION. THIS DRAWING IS NOT TO BE COPIED OR USED WITHOUT THE WRITTEN APPROVAL OF AN OFFICER OF THE APM-HEXSEAL CORPORATION.

X-ON Electronics

Largest Supplier of Electrical and Electronic Components

Click to view similar products for [Switch Hardware](#) category:

Click to view products by [APM manufacturer](#):

Other Similar products are found below :

[893102000](#) [LZZ1A](#) [0098.9234](#) [61-9707.7](#) [61-9771.0](#) [M2PA-5011](#) [635401](#) [6PA104](#) [6PA113](#) [6PA147-E6](#) [6PA148-E6](#) [6PA32](#) [6PA9](#) [700106](#)
[700109](#) [700201A56](#) [700303A56](#) [700701264](#) [700C1GRY](#) [700C2GRN](#) [704-6001](#) [704.960.4](#) [704.960.9](#) [704.965.1](#) [704.965.2](#) [704.965.6](#)
[704.966.0](#) [7089-3](#) [71M1048](#) [757200264](#) [778000A56](#) [79215938](#) [MHU35](#) [MHU37](#) [825.003.011](#) [825.005.011](#) [825.053.011](#) [825.055.011](#)
[826.000.071](#) [827.020.011](#) [827.400.021](#) [835.900.023](#) [MML52C10C](#) [MML52E10C](#) [MML72EEK](#) [MML92HGH](#) [MML93K](#) [84211M02CNNS](#)
[84211M02LGRS](#) [84211M02LNNX3](#)