

CANAL REFERENCE NO.

CCI/PE800L

RoHS

SPECIFICATION

CUSTOMER:

CANAL MODEL NAME:

BS800L

CUSTOMER'S MODEL NAME:

CUSTOMER'S MODEL NO:

APPROVED BY

DATE:

NAME:

CUSTOMER APPROVED

CUSTOMER APPROVED

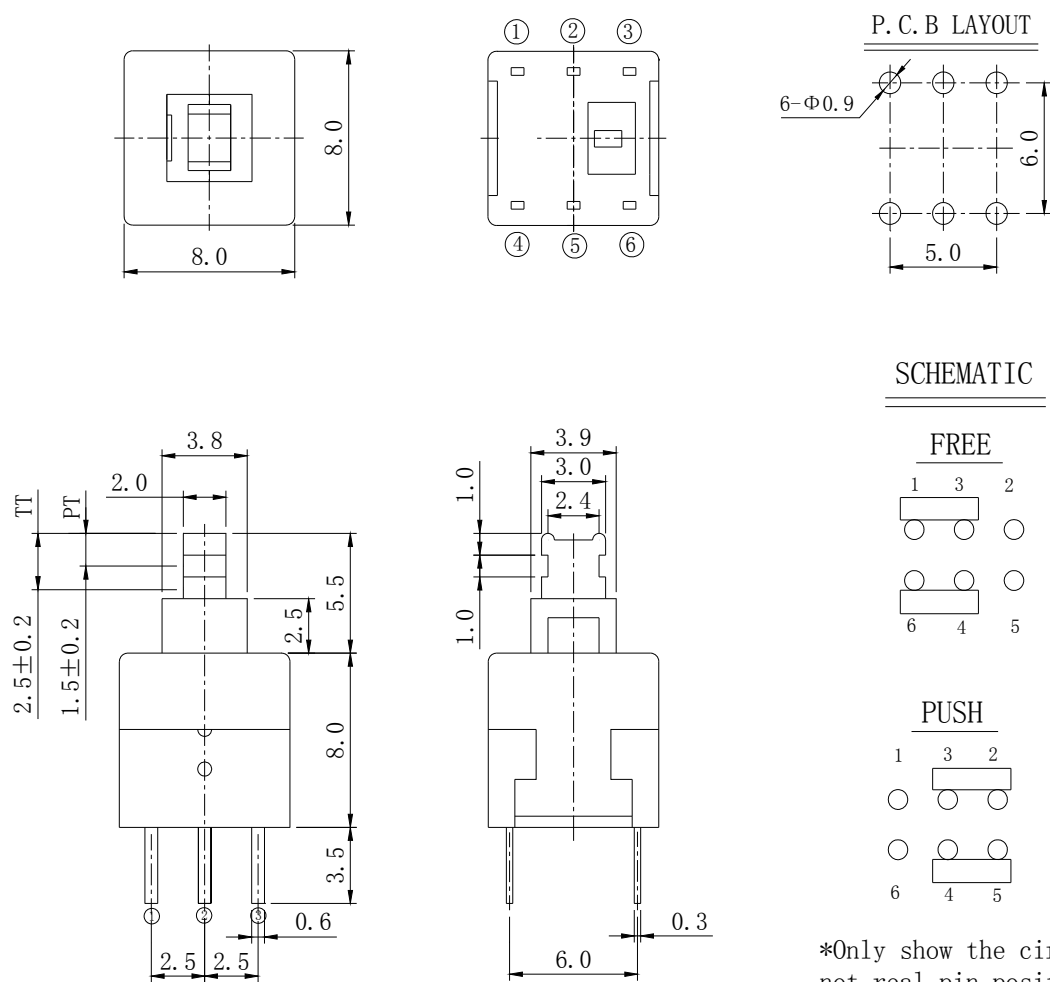
APPROVED BY	REVIEWED BY	PREPARED BY
FENGWUN	ERIC	JIMMY
20180621	20180621	20180621

CANAL COMPONENTS INC. SPECIFICATION

RoHS

SWITCH TYPE	PUSH SWITCH	MODEL NO.	BS800L
1. Functional spec.			
1.1 Rated Voltage	DC30V	1.6 Free Position	
1.2 Rated Current	0. 1A	1.7 Operating Position	
1.3 Contact Resistance	≤50mΩ (Initial value)	1.8 Position Travel	
1.4 Operating Force	160±80gf	1.9 Return Force	
1.5 Bounce Time		1.10	
2. Reliable Rating			
2.1 Mechanical Life	100, 000 cycles	2.5 Soldering Technic	Hand Soldering
2.2 Electrical Life	10, 000 cycles	2. 6 Operating Temper	-25℃ - +65℃
2.3 Insulation Resistance	≥100M Ω DC250V	2.8 Ambient Humidity Used	<85%RH
2.4 Withstand Voltage	AC250V 1 minute	2.8	

3. Dimension Drawing



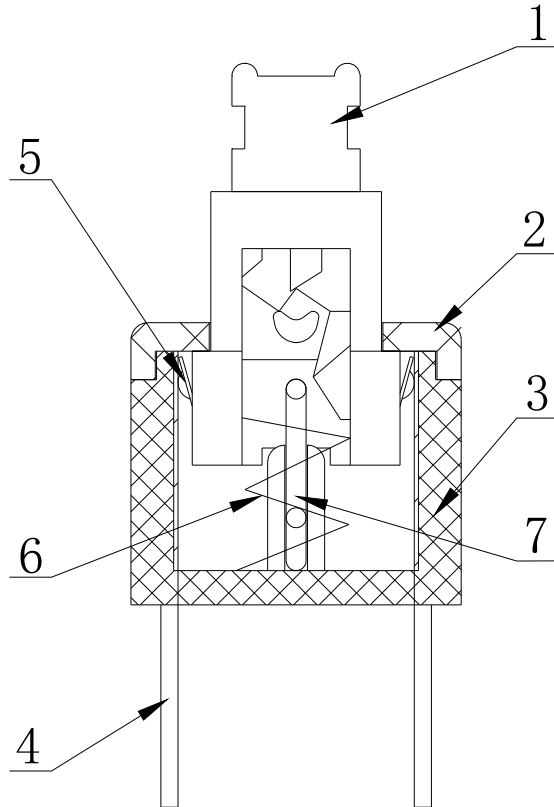
*Only show the circuit, not real pin position.

Revision	Description	Date	Revisor
Drawing No.	C/0	Tolerance	±0. 2
Drawing Model.	SPECIFICATION OF STANDARD TYPE	Unit	mm
Prepared	zhentong, Lai	Reviewed	haitao, You
Approved	jianying, Qiu	Effective date	

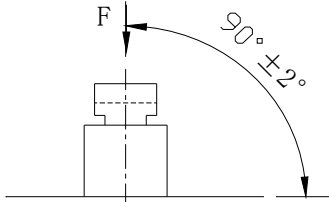
CANAL COMPONENTS INC.

SERIES		PUSH SWITCH (BS800)		Issuance date :		2018	
Document No.		CCI/PE800		Edition	C	Page	1/4
NO.	Part Name	Q'TY	Generic Class	Remark			
1	Stem	1	POM				
2	Case	1	POM				
3	Base	1	PBT				
4	Terminal	6	C2680				
5	Spring plate	2	C5210				
6	Spring	1	SUS304				
7	Fixed Rod	1	SUS304				

Structure chart:



CANAL COMPONENTS INC.

SERIES	PUSH SWITCH (BS800)	Issuance date :	2018
Document No.	CCI/PE800	Edition	C
		Page	2/4
1、 General :			
1.1 Switch rating:	DC 30V, 0.1A		
1.2 Operating temperature range	-40°C~85°C		
1.3 Preservative temperature range	-40°C~85°C		
1.4 Storage humidity range	<85%RH		
2.Performance			
2.1 Electrical characteristics			
Items	Test conditions		Criteria
2.1.1	Contact resistance	Applying a static load twice the operating force to the stem, measurements shall be made between the terminals. Measurement shall be made with a contact resistance meter for 2mΩ precision under the condition which a voltage of DC 5V and a current of 0.1A shall be applied between the terminals.	Refer to individual product drawing.
2.1.2	Insulation resistance	Spec. voltage (Refer to the 2.3 item of spec. drawing) is applied between each pair of terminals and between the terminal and the metal frame for one minute. Measurement shall be made with a test instrument of insulation resistance under the condition Spec. voltage is applied between the terminals .	Refer to individual product drawing.
2.1.3	Dielectric withstand in voltage	Spec. voltage (Refer to the 2.4 item of spec. drawing) shall be applied across terminals and frame for one minute.	There shall be no breakdown.
3.Mechanical characteristics			
3.1	Operation force	Placing the switch such that the direction of switch operation is vertical, and then gradually increasing the load applied to the stem, the maximum load for the stem to come to operating position shall be measured. <div style="text-align: center;">  </div>	Refer to individual product drawing.
3.2	Terminal strength	A static load of 500gf Max shall be applied to the tip of the terminal for 30 sec. in any direction.	Electrical characteristics shall be satisfied without damage or excessive looseness of terminals.

CANAL COMPONENTS INC.

SERIES	PUSH SWITCH (BS800)	Issuance date:	2018
Document No.	CCI/PE800	Edition	C
		Page	3/4
4. soldering characteristics			
Items		Test conditions	Criteria
4.1	Hand soldering	Use a soldering iron of 30 watts, controlled at 350~360°C approximately 3 seconds 1time while applying solder.	A new uniform coating of solder shall cover a minimum of 90% of the surface being immersed. There shall be no defects in appearance or in the mechanical functions.
4.2. Can't be passed through the wave soldering.			
5. Durability characteristic:			
5.1	Mechanical life	(1) Without loading (2) Operating speed : 30 cycles/minute (3) Push force : maximum value of operating force twice (4) Life: 100,000 cycles	After test: (1) Contact resistance: 1 ohm Max. (2) Bounce: 5m sec. Max. (3) Withstand voltage: AC250V, 1 minute (4) Operating force: 30% of initial value (5) There shall be no defects in appearance or in the mechanical functions.
	Electrical life	(1) which the load of DC 30V 0.1A (2) Operating speed : 10 cycles/minute (3) Push force : maximum value of operating force twice (4) Life: 10,000 cycles	
6. Packing explanation			
6.1 500 pcs for one bag, 4bags for one small box, 6 small boxes for one big box.			
7. Special Requirements			
7.1 Hazardous Substance Management: Follow CANAL environmental requirements: Hazardous Substance.			
8. Quality records of delivered goods			
8.1 Package boxes or package bags should be attached labels or identifiers of Model No., Quantity and Quality Pursuing No.			
8.2 There shall be quality records of inspection and test in package boxed.			

CANAL COMPONENTS INC.

SERIES	PUSH SWITCH (BS800)	Issuance date:	2018
Document No	CCI/PE800	Edition	C
		Page	4/4
9. Application Notes:			
9. 1 All parts of the switch can not be dissolved before soldering.			
9. 2 Switches can not be blown with air gun or cleaned with a solvent after soldering.			
10. Incoming inspection declaring:			
10. 1 You must comply with the following principles in the process of the incoming inspecting and using our products, if not, we won't be liable for any damages from it.			
10. 2 The requirement of the incoming inspection must meet the product's specification that have been affirmed and signed by you. If the following things appear in the process of the incoming inspection, the use is restricted, please feed back us in time ,we will take back of all.			
10. 3 The products that are attached or stucked by the unqualified labels;			
10. 4 In the process of the incoming inspection, he following main function parameters must be checked and they must meet the specification. If the sum of the badness rate is more than 1% in the process, the use is restricted, please feedback us in time, we will take back of all.			
①Operating Force: (Refer to individual product drawing)			
②Pre-travel: (Refer to individual product drawing)			
③Initial Contact Resistance: (Refer to individual product drawing)			
④Soldering ability: $235 \pm 5^{\circ}\text{C}/3\text{S}$,the covering rate of tin is more than 90%;			
⑤Function and action: the operation that the direction of switch operation is vertical with the up-surface of button isn't disabled;			
10. 5 If the serious packaging disrepair of products appears in the process of the incoming inspection, please refuse accepting them and return them to us directly.			
10. 6 Operating requirement: the direction of switch operating is vertical with the up-surface of button;			
10. 7 If your incoming inspection is careless and it arose that the badness rate of your producing process is more than 1%,we won't be liable for the damage.			

X-ON Electronics

Largest Supplier of Electrical and Electronic Components

Click to view similar products for [Tactile Switches](#) category:

Click to view products by [Canal](#) manufacturer:

Other Similar products are found below :

[KMR633NG LFG](#) [5GTH9202242](#) [6426-201-11343](#) [MJ1226](#) [MJTP1109B](#) [MJTP1138EAUTR](#) [MJTP1230BL](#) [MJTPSHW](#) [GS6.90F300QP](#) [1-1977223-0](#) [1-1977120-4](#) [ADTSA62NV](#) [ADTSA62RV](#) [ADTSA63KV](#) [ADTSA644NV](#) [ADTSM24NVTR](#) [ADTSMW66NV](#) [ADTSMW67RV](#) [ATM533VTR](#) [1571300-3](#) [B3F-3123](#) [B3F-6055A](#) [B3F-B32-01-KIT](#) [1977177-8](#) [1977266-1](#) [2-1977223-4](#) [2-1977223-7](#) [ADTS644KV](#) [ADTSA61RV](#) [ADTSA62KV](#) [ADTSA63NV](#) [ADTSA63RV](#) [ADTSA65NV](#) [ADTSM21NSVTR](#) [ADTSM25RVTR](#) [ADTSM31RVTR](#) [ADTSM32NVTR](#) [ADTSM61YVTR](#) [ADTSM63SVTR](#) [ADTSM644KVTR](#) [ADTSMW64RV](#) [ADTSMW69NV](#) [FSMRA4JHA04](#) [GS4.70F300QP](#) [D38999/20JJ37SA](#) [TL1105B](#) [TL1105J](#) [ATH447K2Q](#) [ATM534VTR](#) [MJ1215](#)