

## Panel feed-through terminal block - HDFK 25 - 0707743


Please be informed that the data shown in this PDF Document is generated from our Online Catalog. Please find the complete data in the user's documentation. Our General Terms of Use for Downloads are valid (<http://phoenixcontact.com/download>)



Panel feed-through terminal block, Connection method: Screw connection, Load current : 125 A, Cross section: 6 mm<sup>2</sup> - 35 mm<sup>2</sup>, AWG 10 - 2, Connection direction of the conductor to plug-in direction: 0 °, Width: 15.1 mm, Color: gray



### Key Commercial Data

Packing unit	50 pc
GTIN	 4 017918 004194
Weight per Piece (excluding packing)	64.7 g
Custom tariff number	85369010
Country of origin	Greece

### Technical data

#### General

Number of levels	1
Number of connections	2
Nominal cross section	25 mm <sup>2</sup>
Color	gray
Insulating material	PA
Flammability rating according to UL 94	V0
Maximum load current	125 A
Rated surge voltage	6 kV
Degree of pollution	3
Overvoltage category	III
Insulating material group	I
Connection in acc. with standard	IEC 60947-7-1
Nominal current I <sub>N</sub>	101 A
Maximum load current	125 A
Nominal voltage U <sub>N</sub>	500 V
Open side panel	nein

# Panel feed-through terminal block - HDFK 25 - 0707743

## Technical data

### General

Number of positions	1
---------------------	---

### Dimensions

Width	15.1 mm
Plate thickness	1 mm ... 6 mm

### Connection data

Note	Terminal sleeve
Connection side	Level 1 ext. 1
Connection method	Screw connection
Note	Note: Product releases, connection cross sections and notes on connecting aluminum cables can be found in the download area.
Conductor cross section solid min.	6 mm <sup>2</sup>
Conductor cross section solid max.	35 mm <sup>2</sup>
Conductor cross section flexible min.	10 mm <sup>2</sup>
Conductor cross section flexible max.	25 mm <sup>2</sup>
Conductor cross section AWG min.	10
Conductor cross section AWG max.	2
Conductor cross section flexible, with ferrule without plastic sleeve min.	4 mm <sup>2</sup>
Conductor cross section flexible, with ferrule without plastic sleeve max.	25 mm <sup>2</sup>
Conductor cross section flexible, with ferrule with plastic sleeve min.	4 mm <sup>2</sup>
Conductor cross section flexible, with ferrule with plastic sleeve max.	25 mm <sup>2</sup>
2 conductors with same cross section, solid min.	2.5 mm <sup>2</sup>
2 conductors with same cross section, solid max.	10 mm <sup>2</sup>
2 conductors with same cross section, stranded min.	4 mm <sup>2</sup>
2 conductors with same cross section, stranded max.	10 mm <sup>2</sup>
2 conductors with same cross section, stranded, ferrules without plastic sleeve, min.	2.5 mm <sup>2</sup>
2 conductors with same cross section, stranded, ferrules without plastic sleeve, max.	10 mm <sup>2</sup>
2 conductors with same cross section, stranded, TWIN ferrules with plastic sleeve, min.	2.5 mm <sup>2</sup>
2 conductors with same cross section, stranded, TWIN ferrules with plastic sleeve, max.	10 mm <sup>2</sup>
Stripping length	19 mm
Internal cylindrical gage	B8
Screw thread	M5
Tightening torque, min	4 Nm
Tightening torque max	4.5 Nm

### Standards and Regulations

Connection in acc. with standard	CSA
	IEC 60947-7-1

# Panel feed-through terminal block - HDFK 25 - 0707743

## Technical data

### Standards and Regulations

Flammability rating according to UL 94	V0
--	----

## Classifications

### eCl@ss

eCl@ss 4.0	27141131
eCl@ss 4.1	27141131
eCl@ss 5.0	27141134
eCl@ss 5.1	27141134
eCl@ss 6.0	27141134
eCl@ss 7.0	27141134
eCl@ss 8.0	27141134

### ETIM

ETIM 2.0	EC001283
ETIM 3.0	EC001283
ETIM 4.0	EC001283
ETIM 5.0	EC001283

### UNSPSC

UNSPSC 6.01	30211811
UNSPSC 7.0901	39121410
UNSPSC 11	39121410
UNSPSC 12.01	39121410
UNSPSC 13.2	39121410

## Approvals

### Approvals

---

#### Approvals

UL Recognized / KEMA-KEUR / PRS / CCA / IECCEB Scheme / CSA / EAC

---

#### Ex Approvals

---

#### Approvals submitted

---

#### Approval details

# Panel feed-through terminal block - HDFK 25 - 0707743

## Approvals

UL Recognized		
	B	C
mm <sup>2</sup> /AWG/kcmil	8-2	8-2
Nominal current I <sub>N</sub>	115 A	115 A
Nominal voltage U <sub>N</sub>	600 V	600 V

KEMA-KEUR		
-----------	--	--

PRS		
-----	--	--

CCA		
-----	--	--

IECEE CB Scheme		
-----------------	--	--

CSA		
	B	C
mm <sup>2</sup> /AWG/kcmil	8-4	8-4
Nominal current I <sub>N</sub>	100 A	100 A
Nominal voltage U <sub>N</sub>	600 V	600 V

EAC		
-----	--	--

## Accessories

### Accessories

#### Screwdriver tools

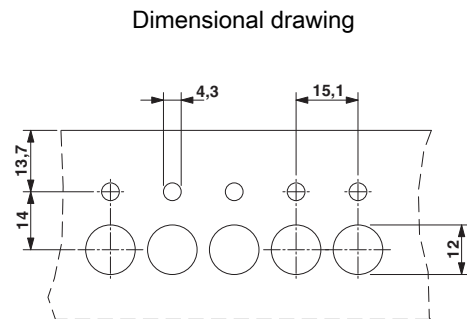
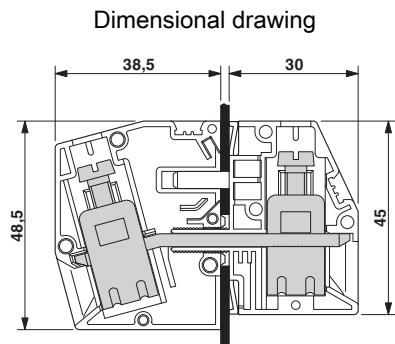
Screwdriver - SZS 1,0X6,5 VDE - 1205079



Screwdriver, slot-headed, VDE insulated, size: 1.0 x 6.5 x 150 mm, 2-component grip, with non-slip grip

## Panel feed-through terminal block - HDFK 25 - 0707743

### Drawings



## X-ON Electronics

Largest Supplier of Electrical and Electronic Components

*Click to view similar products for [Terminal Blocks - Unspecified](#) category:*

*Click to view products by [Phoenix Contact](#) manufacturer:*

Other Similar products are found below :

[RST-20P](#) [TB200-15L1L2QC7 11368](#) [TB100-08BSL10J4 5606874](#) [LZW-B4.2 A12-4160](#) [LZW-B4.6 A12-4660](#) [FCR7900](#) [FCR79001](#)  
[88486403](#) [ESKW 1/5 ST E3 88486708](#) [ESKW 1/5 KU 88545276](#) [ESKL 0E PA ST TRA 88838208](#) [ESKW 1/2 KU 88838304](#) [ESKW 1/2 ST](#)  
[264-373](#) [LZW-B4.3 A12-4260](#) [HDFK 25 0707743](#) [HDFKV 50 0708522](#) [E.4203](#) [TSCB4-02P-15-01AH](#) [TSCB4-01P-15-01AH](#) [TSCB4-03P-](#)  
[15-01AH](#) [294-4002](#) [E.4204](#) [5604707](#) [SLK3/2/D1-D2 88167524](#) [231-127](#) [262-142](#) [264-112](#) [294-4003](#) [FCR7901](#) [FCR79011](#) [CMDDB4/4/BG](#)  
[HH-REC](#) [NSE3-WH](#) [ETBF60020H2FLZ](#) [GP+WP A12-6302](#) [4721-P4](#) [4721-P8](#) [2727608](#) [SLK3/3/N-E-L 88167527](#) [294-5012](#)