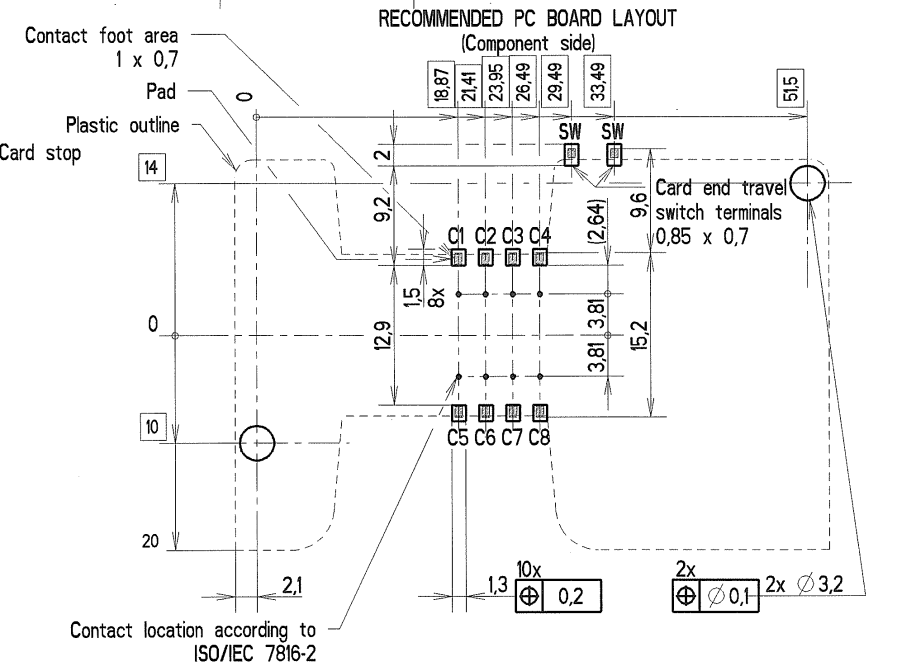
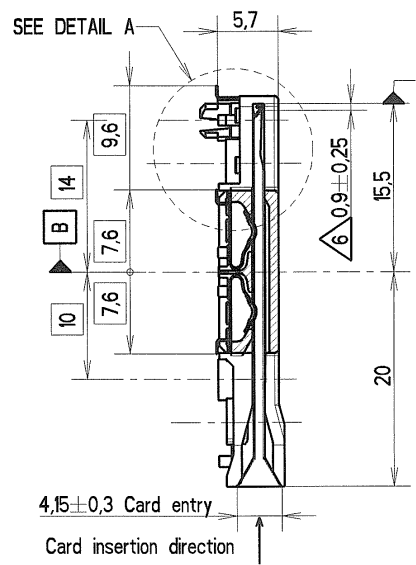
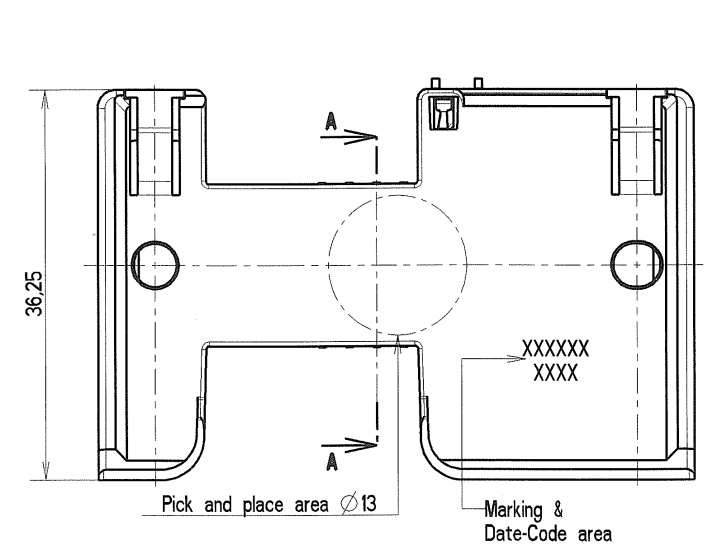
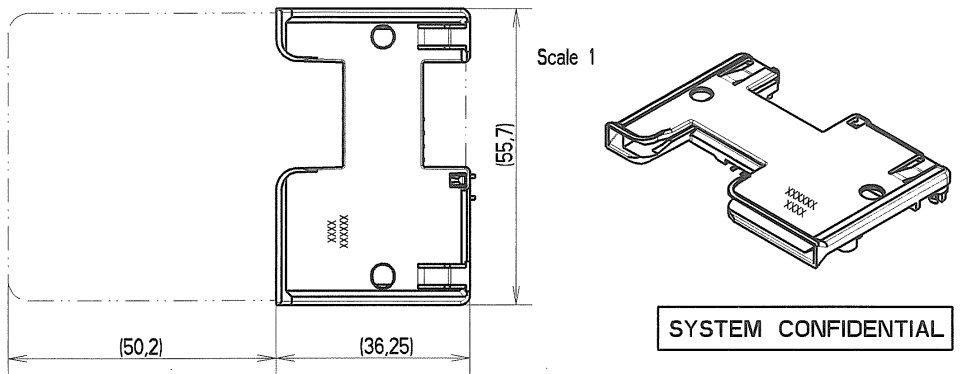
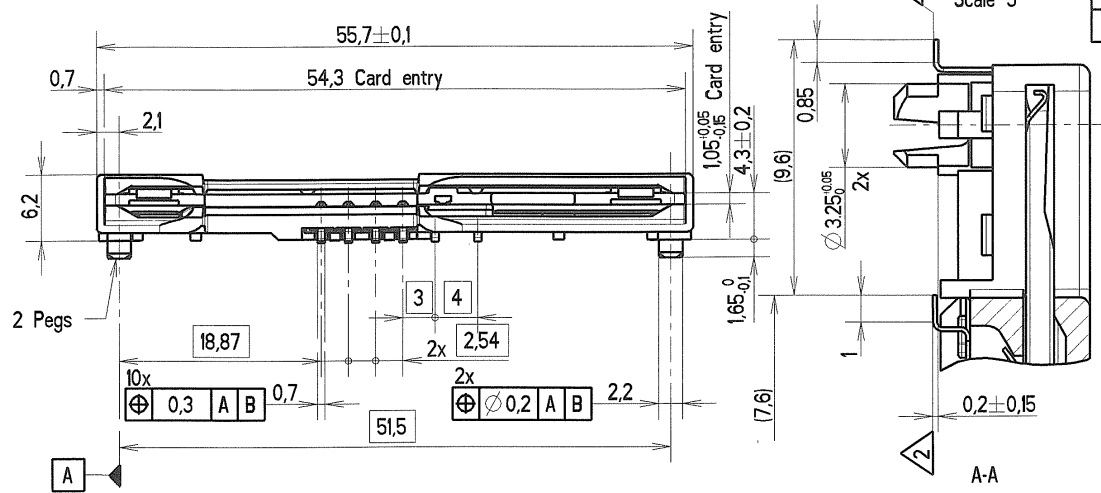


REV.	N° DCR	NATURE DE LA MODIFICATION	DATE	VISA
D	ECR-1406	References table added ; designation and marking updated	11/09/2007	V.P
E	ECR-2182	Designation updated	07/05/2008	CD



Packaging	Packaging drawing	Marking	Designation	Part Number
Tray	030278Y0043	2013T	CCM01-2013LFT T30/	Y1112-2013A LFT
Reel	030278Y0059		CCM01-2013LFT R201	Y1112-2013B LFT

- Notes :
- 1 - Termination to PCB : SMT reflow soldering Temperature/time profile according to : C&K PS-LF-001 specification. Since there are no boardlocks , the connector must be held in place on the PCB across the top face of the cover.
 - 2 - Level of each contact tail compared to the nearest plastic stand-off. Coplanarity of metal soldering surfaces : 0,15 mm
 - 3 - Recommendation for solder paste thickness > 0,2 mm.
 - 4 - 2,5 microns min tin plating on contact terminal areas. 0,1 microns min gold plating on switch terminal areas.
 - 5 - Contact forces :
 - max 0,5 N per contact with max. card thickness.
 - min 0,2 N per contact with min. card thickness.
 - 6 - Card end travel switch NO activates when the sliding card is 0,9 mm from the card stop.
 - 7 - In case of customer accessories integration requesting an interface with CCM, please ask C&K for a 3D model.

MATIERE	TOL. LINEAIRE	TOL. ANGULAIRE	PROTECTION
SAUF INDIQUE :	± 0,1	± 2	DIMENSIONS CRITIQUES
-COTES DONNEES AVANT PROTECTION -BAVURES ET ARETES VIVES SUPPRIMEES		ETAT DE SURFACE Ra	DIMENSIONS SPC
DESSINE P.DAUBIGNEY DATE 19-05-05	ANALYSE Y	TAB. FAM. Y	PROVE Y
VERIFIE G.PINON DATE 07/05/2008			LANGAGE E
APPROUVE L.KUBAT DATE 07/05/2008			
G&K C&K Components	PROJECTION FER DIEDRE	DESIGNATION	CCM01-2013 LFT Specific version 2 pegs 3,25 mm
	ECHELLE 2		
BP 359 - 39105 Dole - FRANCE -	TAILLE A3	FEUILLE 1 / 1	NUMERO CU 030288Y2013
			REV E

CE PLAN EST LA PROPRIETE DE C&K COMPONENTS SAS ET NE PEUT ETRE REPRODUIT OU COMMUNIQUE SANS SON AUTORISATION

A B C D E F

X-ON Electronics

Largest Supplier of Electrical and Electronic Components

Click to view similar products for [Memory Card Connectors](#) category:

Click to view products by [C&K](#) manufacturer:

Other Similar products are found below :

[M10-597810-355](#) [M21-033321-005](#) [6426-201-21343](#) [69.920.0553.0](#) [MCR60A-98D-2.54DSA\(70\)](#) [FCN-568P068-G/07-4V](#) [809180410000000](#)
[95622-003LF](#) [AD2-262F-38900-232](#) [DM3AT-SF-PEJM5\(41\)](#) [EN2997S72039F6](#) [N7E50-7516PG-20-WF](#) [IC11S-BUR-PNEJL\(71\)](#) [NX30TA-](#)
[15PAA\(50\)](#) [21920-5](#) [2041353-2](#) [FUA006-3220-0](#) [308-DS1P0811-192](#) [33CFAE-DN](#) [MI21A-50PD-SF-EJR\(91\)](#) [502431-1011](#) [5175651-2](#) [10-](#)
[247926-166](#) [10-629549-258N](#) [11327-001](#) [11327-002](#) [EN2997S02039B8](#) [EN2997S61212BN](#) [EN2997S72039B6](#) [EN2997SE02039B8](#)
[EN2997SE61212BN](#) [EN2997SE72039B6](#) [603020000](#) [617230001](#) [71-252718-32P](#) [NX1-32T-KT3K\(05\)](#) [95622-003LF](#) [91-570124-15P](#)
[192900-0488](#) [N7E50-U516RB-50-SIN0005](#) [DM1AA-SF-PEJ](#) [95079-00CALF](#) [84648-056HLF](#) [68-580163-21S](#) [33DVIR-29S12R](#)
[SF58S006VBBR2000](#) [93-570123-08P](#) [GMC020080HR](#) [125A-78C00](#) [1010040575#](#)