

9 to 40V Input Non-isolated DC-DC Converter with Negative Output

| Features | Benefits |
|---------------------------------------|---------------------------------|
| • Polarity Inversion | • Provides Negative Outputs |
| • High efficiency up to 94% | • Easier Thermal Management |
| • Wide Output Adjustment -3.3 to -30V | • Address Multiple Applications |
| • Minimal External Components Needed | • Less Board Area Required |

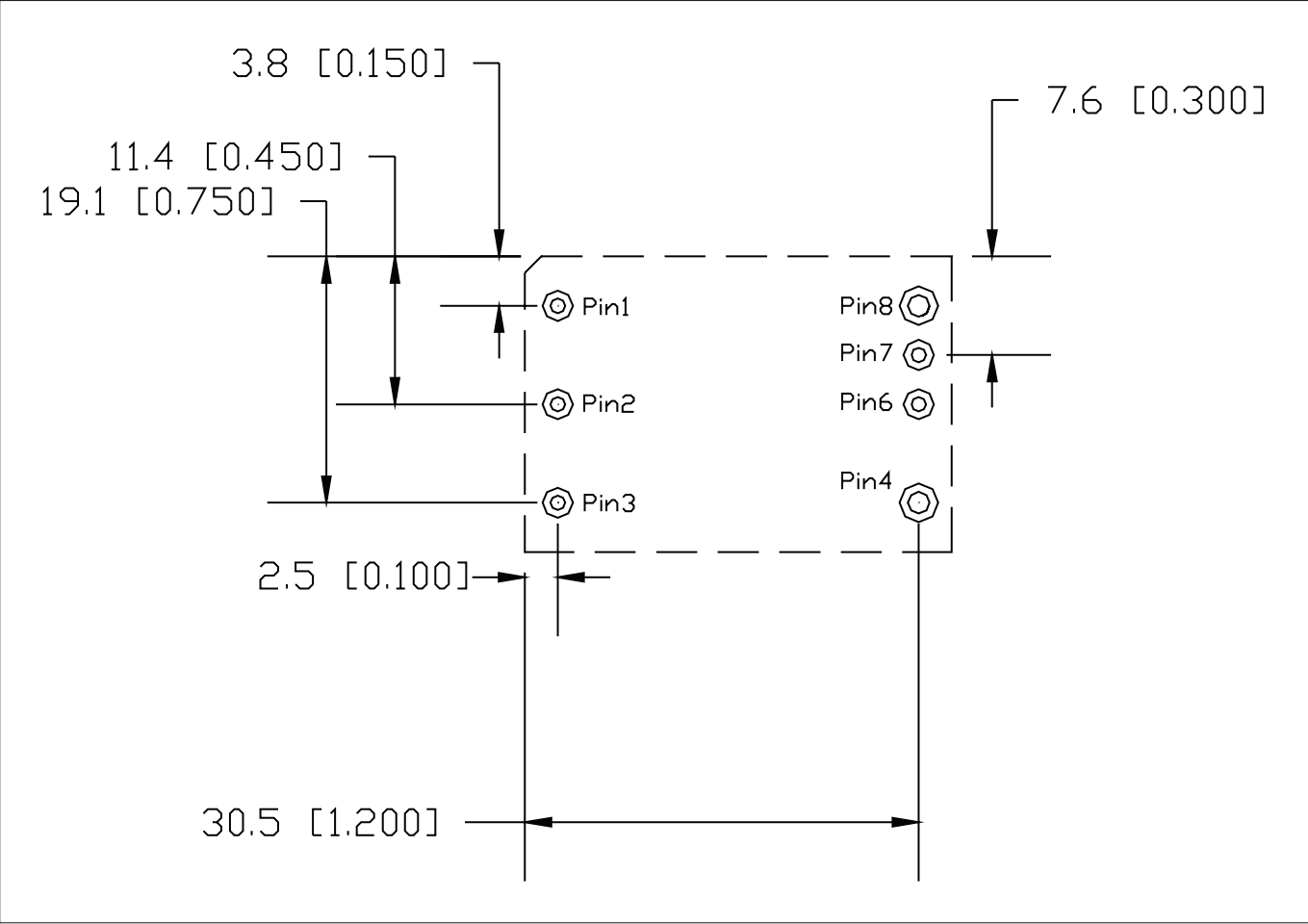


| Specification | | 6A24-N |
|------------------------------|------|--|
| DC Output Voltage | V | -3.3 to -30 |
| DC Input Voltage | V | 9 to 40 (Turn on at 10V or greater) |
| Efficiency | % | 90 - 94 |
| Output Voltage Tolerance | % | ±4 |
| Switching Frequency | kHz | 400 |
| Line Regulation | % | 0.5 |
| Load Regulation | % | 0.6 |
| External Load Capacitance | uF | 200 - 1600 |
| Output Ripple and Noise | mVpp | 20 |
| Overcurrent Protection | A | 15 |
| Remote On / Off | - | See options table |
| Remote Sense | - | (-) Sense, compensating up to 0.5% of output voltage |
| Operating Temperature | °C | -40°C to +125°C (see thermal data on website) |
| Storage Temperature | °C | -55°C to +125°C |
| Safety Agency Certifications | - | Pending |
| Weight | g | 15g |
| Size (LxWxH) | mm | 33 x 22.9 x 12.7 |
| Warranty | yrs | 3 |

| Model Selector | | | | | |
|---------------------|-------------------|--------------------|--------------------|-----------------------|-----------------------|
| Input Model | Input Voltage (V) | Output Current (A) | Output Voltage (V) | Positive Logic On/Off | Negative Logic On/Off |
| i6A24008A033V-N00-R | +9 to +40 | 8 | -3.3 to -30 | Yes | - |
| i6A24008A033V-N01-R | +9 to +40 | 8 | -3.3 to -30 | - | Yes |

Preferred

Outline Drawing i6AN Series



| Pin Assignment | | | |
|----------------|----------|-----|-------------------|
| PIN | Function | PIN | Function |
| 1 | VIN (+) | 6 | TRIM |
| 2 | ON / OFF | 7 | SENSE |
| 3 | VOUT (-) | 8 | VIN (-), VOUT (+) |
| 4 | VOUT (-) | | |



TDK-Lambda France SAS

ZAC des Delaches
CS 41077
9 rue Thuillere
91978 Villebon Courtaboeuf
France
Tel: +33 1 60 12 71 65
Fax: +33 1 60 12 71 66
france@fr.tdk-lambda.com
www.fr.tdk-lambda.com



Italy Sales Office

Via dei Lavoratori 128/130
20092 Cinisello Balsamo (MI)
Italy
Tel: +39 02 61 29 38 63
Fax: +39 02 61 29 09 00
info.italia@it.tdk-lambda.com
www.it.tdk-lambda.com



Netherlands

info@tdk-lambda.nl
www.tdk-lambda.nl



TDK-Lambda Germany GmbH

Karl-Bold-Strasse 40
77855 Achem
Germany
Tel: +49 7841 666 0
Fax: +49 7841 5000
info.germany@de.tdk-lambda.com
www.de.tdk-lambda.com



Austria Sales Office

Aredstrasse 22
2544 Leobersdorf
Austria
Tel: +43 2256 655 84
Fax: +43 2256 645 12
info.germany@de.tdk-lambda.com
www.de.tdk-lambda.com



Switzerland Sales Office

Bahnhofstrasse 50
8305 Dietlikon
Switzerland
Tel: +41 44 850 53 53
Fax: +41 44 850 53 50
info@de.tdk-lambda.com
www.de.tdk-lambda.com



TDK-Lambda UK Ltd.

Kingsley Avenue
Ilfracombe
Devon EX34 8ES
United Kingdom
Tel: +44 (0) 12 71 85 66 66
Fax: +44 (0) 12 71 86 48 94
powersolutions@uk.tdk-lambda.com
www.uk.tdk-lambda.com



TDK-Lambda Ltd.

Kibbutz
Givat Hashlosha 48800
Israel
Tel: +9 723 902 4333
Fax: +9 723 902 4777
info@tdk-lambda.co.il
www.tdk-lambda.co.il



C.I.S.

Commercial Support:

Tel: +7 (495) 665 2627

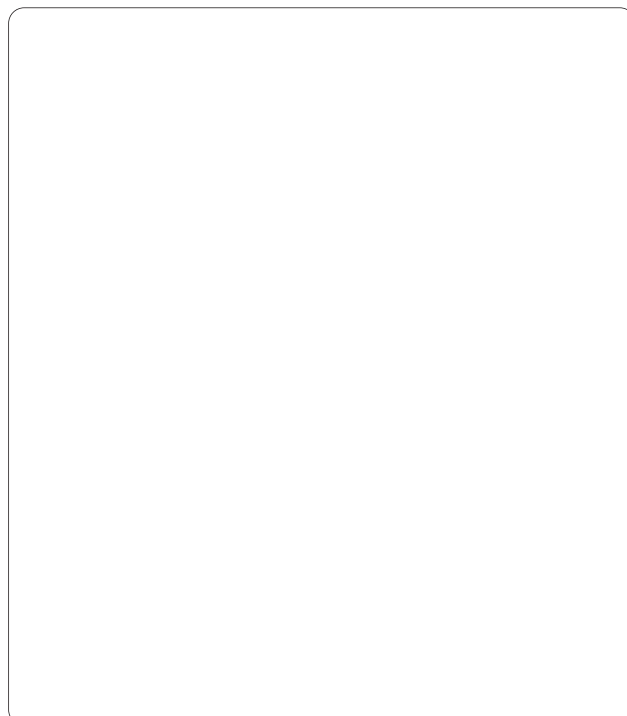
Technical Support:

Tel: +7 (812) 658 0463

info@tdk-lambda.ru

www.tdk-lambda.ru

Local Distribution



X-ON Electronics

Largest Supplier of Electrical and Electronic Components

Click to view similar products for [Non-Isolated DC/DC Converters](#) category:

Click to view products by [TDK-Lambda](#) manufacturer:

Other Similar products are found below :

[BRFS50](#) [APTH003A0X-SRZ](#) [SPM1004-3V3C](#) [APXW012A0X3-SRDZ](#) [R-785.0-05](#) [BRFS30](#) [PJT020A0X43-SRZ](#) [10E24-P15-10PPM](#) [1E24-P4-25PPM-SHV-5KV](#) [CA-17205-L4](#) [4D15-N1](#) [MYGTM01210BZN](#) [APXW012A0X3-SRDZ](#) [I6A24008A033V-N00-R](#) [10C24-N250-I10-AQ-DA](#) [4AA24-P20-M-H](#) [DX150N](#) [3V12-N0.8](#) [2HVA24-BP1-F-25PPM-SHV-5KV](#) [5HVA24-BP1-F-25PPM-SHV-5KV](#) [1/2AA24-P30-I10](#) [1C24-P20-M-C](#) [VI-920194B](#) [T31SN24005NMFA](#) [3V24-P1](#) [3V24-N1](#) [BMR4672010/001](#) [BMR4652010/001](#) [BMR4668004/001](#) [T31SN12008NMFA](#) [6AA24-P30-I5-M](#) [6AA24-N30-I5-M](#) [PTV03020WAH](#) [PTV05020WAH](#) [PTV12010LAH](#) [PTV12020WAD](#) [R-625.0D](#) [R-7212D](#) [R-7212P](#) [R-745.0D](#) [R-78AA15-0.5SMD](#) [R-78AA5.0-1.0SMD](#) [30A24-N15-E](#) [10A12-P4-M](#) [10C24-N250-I5](#) [10C24-P125](#) [10C24-P250-I5](#) [6A24-P20-I10-F-M-25PPM](#) [1A24-P30-F-M-C](#) [TSR 1-24150SM](#)