

Versatile power entry module

FN 380

- Up to 6A current ratings
- IEC 950-compliant (twin fuse configurations only)
- For one or two fuses (Ø5 x 20 or Ø6.3 x 32mm)
- General-purpose application
- Nennstrom bis 6A
- IEC 950 konform (nur Konfigurationen mit zwei Sicherungen)
- Für eine oder zwei Sicherungen (Ø5 x 20mm oder Ø6,3 x 32mm)
- Universeller Einsatz
- Courants de service pouvant atteindre 6A
- Conforme à CEI 950 (uniquement pour les configurations à deux fusibles)
- Pour un ou deux fusibles (Ø5 x 20mm ou Ø6,3 x 32mm)
- Applications universelles



Filter selection table

Choose the family FN xxx with the required body style and features, and add -?? to determine current rating. Example: FN 388-2 is a horizontal screw-mounting filter for twin fuses, rated for 2A, with mini fast-on outputs.

Approvals



Family	Current ratings A at 40°C (25°)			Housing style		For fuse(s) Nbr.	Weight g
	2 (2.4)	4 (4.8)	6 (7.2)				
FN 380 -?? /..	-2	-4	-6			1	55
FN 382 -?? /..	-2	-4	-6			2	55
FN 386 -?? /..	-2	-4	-6			1	55
FN 388 -?? /..	-2	-4	-6			2	60
Inductance L mH							
	0.7	0.3	0.18				

Family	Current ratings A at 40°C (25°)			Housing style		For fuse(s) Nbr.	Weight g
	2 (2.4)	4 (4.8)	6 (7.2)				
FN 385 -?? /..	-2	-4	-6			2	65
FN 389 -?? /..	-2	-4	-6			2	70
Inductance L mH							
	2	0.8	0.5				

Additional specifications

Filter type	Capacitance		Maximum leakage µA/phase	Res. R MΩ	Maximum operating volt.		Operating frequency Hz	Hipot test voltage	
	Cx nF	Cy nF			VAC	Hz		PN→E VAC	P→N VAC
All standard types	47	2.2	210		250	50/60	50 to 400	2000	760
FN 389B types (medical)	47		2	1	250	50/60	50 to 400	2500	760

MTBF at 40°C, 230V, per Mil-HB-217F: 550,000 hours

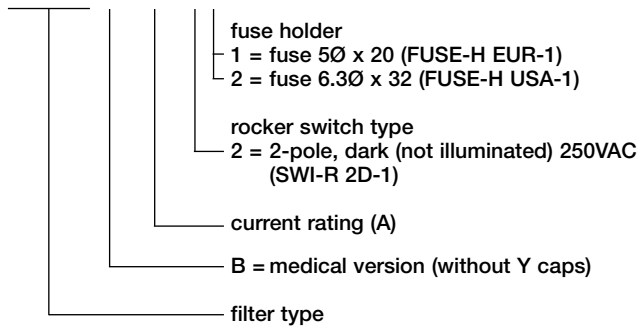
B types are optional

Filter selection: additional specifications

Ordering information:

The filters of this family can be ordered as standard, fully mounted products (excluding the fuse) as follows:

FN 389 & - 6 / x y



Fuse holder description

Fuse Holder	Part no.	Size
1	FUSE-H-EUR-1	5 x 20mm
2	FUSE-H-USA-1	6.3 x 32mm

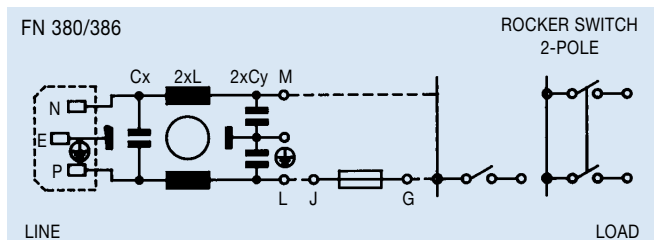
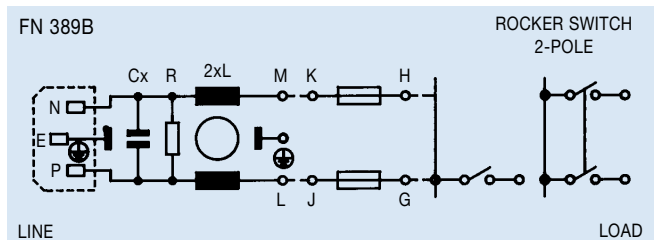
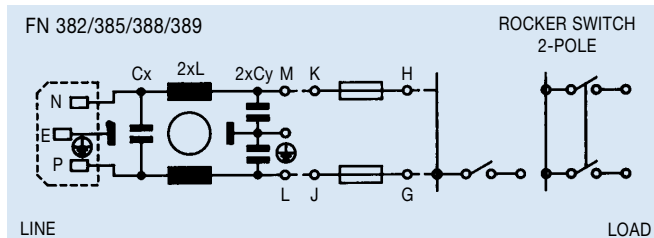
Rocker switch description

Rocker switch type	Part no.	Function	2-pole, dark	2-pole, illuminated, 100-250 VAC*
2	SWI-R 2D-1	2-pole, dark (not illuminated) 250VAC	Rated current: 6 (4)A/250V 50,000 on-off operations	Rated current: 6 (2)A/250V 10,000 on-off operations • full illumination at 100VA • max. operating temperature for red: 65°C

Values in () relate to the inductive current charge, $\cos \gamma = 0.65$

* Attention: illuminated rocker switch only available on special request

Electrical schematics

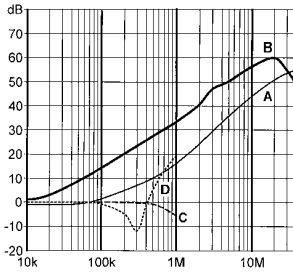


See tables for component values

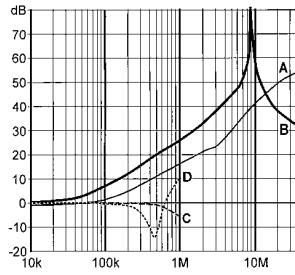
FN 380 insertion loss

Per CISPR 17; A = 50Ω/50Ω sym, B = 50Ω/50Ω asym, C = 0.1Ω/100Ω sym, D = 100Ω/0.1Ω sym

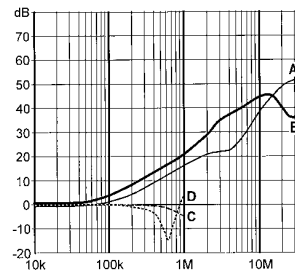
2 amp types (FN 380/382/386/388)



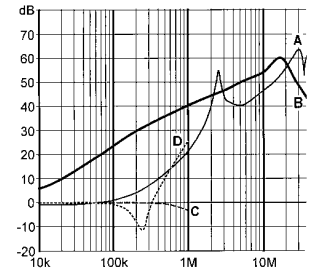
4 amp types (FN 380/382/386/388)



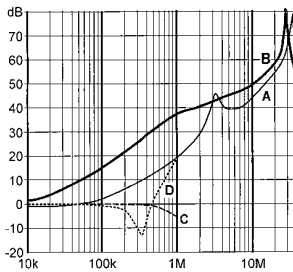
6 amp types (FN 380/382/386/388)



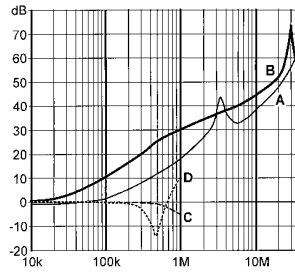
2 amp types (FN 385/389)



4 amp types (FN 385/389)



6 amp types (FN 385/389)



Mechanical data / electrical connection summary

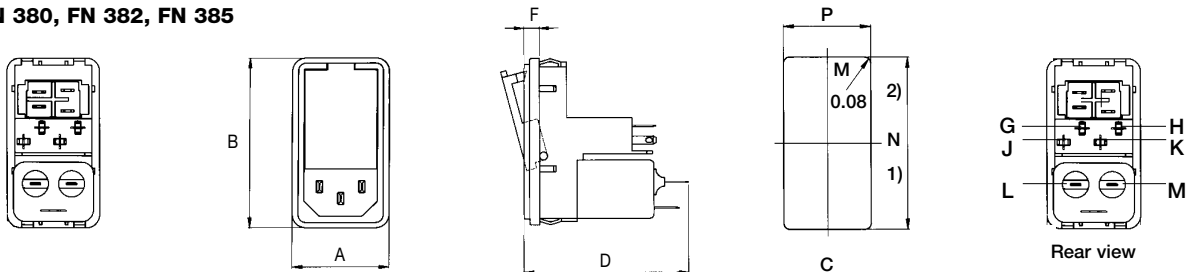
	FN 380/82	FN 385	FN 386/88	FN 389	Tol. mm	
A	32		50		± 0.3	
B	58					± 0.3
C	40					± 0.1
D	56.5	66.5	56.5	66.5	-	
F	5.5					-
H	Ø3.3					-
M	R≤2					± 0.1
N	55.9 ⁽¹⁾ - 56.2 ⁽²⁾					+0.2 -0
P	28.5					+0.2 -0
R	M3					-
S	90°					-

⁽¹⁾ Wall thickness 0.8mm to 2.0mm ⁽²⁾ Wall thickness 2.1mm to 3.2mm

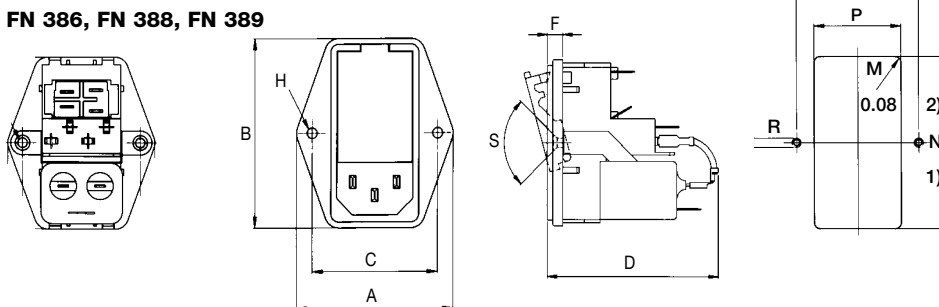
Thickness of mounting panels

1) 0.8 - 2.0mm	55.9 ^{+0.2} -0
2) 2.1 - 3.2mm	56.2 ^{+0.2} -0

FN 380, FN 382, FN 385



FN 386, FN 388, FN 389



All dimensions in mm; 1 inch = 25.4mm

X-ON Electronics

Largest Supplier of Electrical and Electronic Components

Click to view similar products for [AC Power Entry Modules](#) category:

Click to view products by [Schaffner](#) manufacturer:

Other Similar products are found below :

[0098.0050](#) [6-1609987-9](#) [6167.0002](#) [7-6609955-2](#) [FN389-4-22](#) [FN9233ER-12-06](#) [FN9233S1-10-06](#) [FN9233S1-8-06](#) [FN9233S1B-8-06](#)
[FN9233S1R-1-06](#) [FN9233S1R-12-06](#) [FN9233SB-1-06](#) [FN9233SB-12-06](#) [FN9233SB-8-06](#) [FN9233SR-10-06](#) [FN9233SR-3-06](#) [FN9244B-15-06](#)
[HI](#) [FN9244EB-3-06](#) [FN9244EB-8-06](#) [FN9244ER-15-06](#) [FN9244ER-8-06](#) [FN9244ES1-8-06](#) [FN9244ESB-8-06](#) [FN9244EU-6-06](#)
[FN9244R-12-06](#) [FN9244R-3-07](#) [FN9244R-8-06](#) [FN9244S1-10-06](#) [FN9244S1-12-06](#) [FN9244S1-3-06](#) [FN9244S1B-6-06](#) [FN9244S1R-3-06](#)
[FN9244S-6-06](#) [FN9244SB-10-06](#) [FN9244SB-6-06](#) [FN9244SB-8-06](#) [FN9244SR-10-06](#) [FN9244SR-6-06](#) [FN9244U-3-06](#) [FN9244U-8-06](#)
[FN9260A-6-06](#) [PE00SSSXB](#) [Fuse-H-EUR-1](#) [Fuse-H-USA-1](#) [PM00XD000](#) [PS0SSDBX0](#) [PS0SXSH3B](#) [A-0701-HT-H](#) [RAPC3FG](#) [15EJMS8](#)