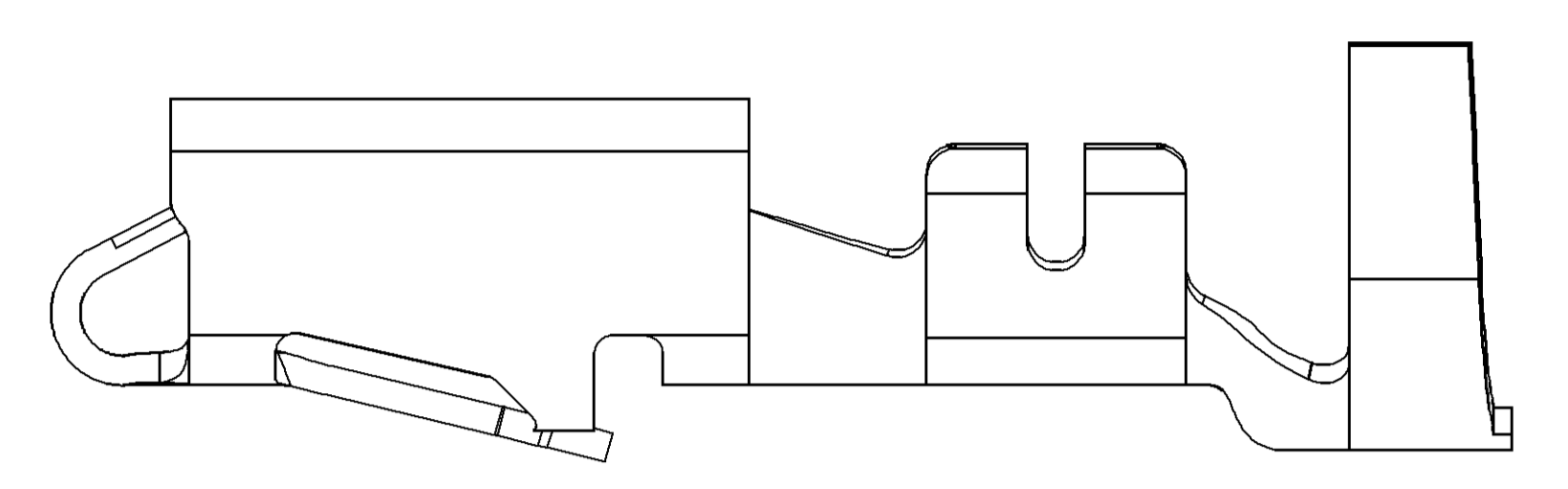
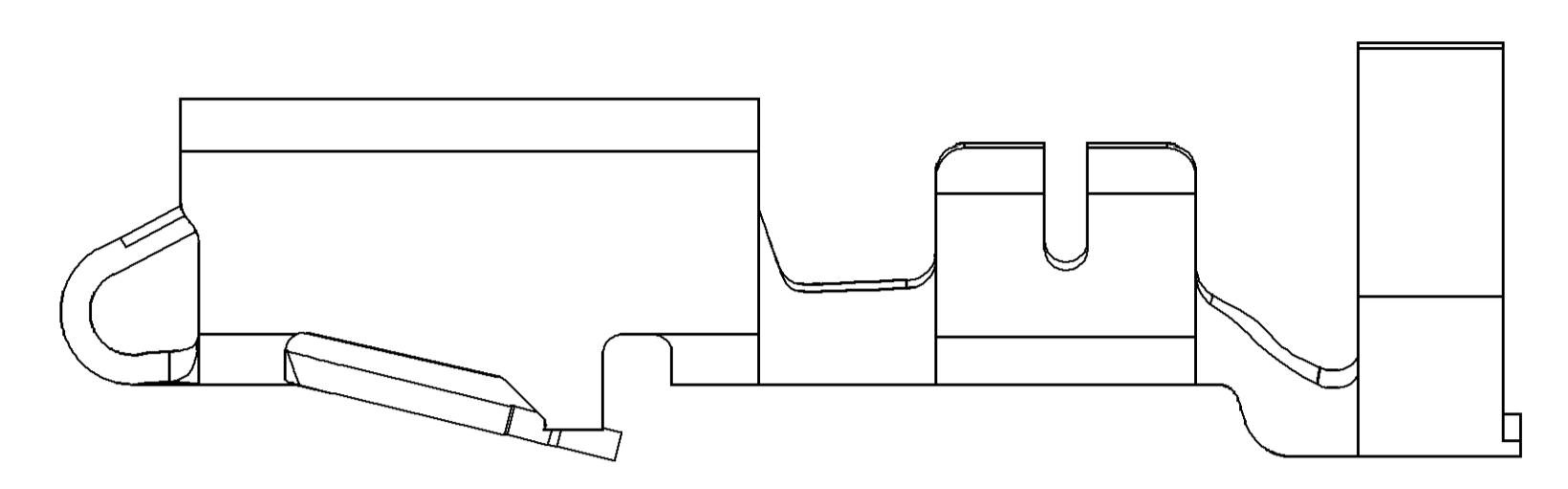


SYMBOL DEFINITION		TOTAL NO OF INSPECTIONS REQUIRED	
A DIMENSION WITHOUT AN INSPECTION REPORT SYMBOL DOES NOT REQUIRE INSPECTION. IT MAY BE CONTROLLED ON THE INDIVIDUAL COMPONENT DRAWING.		10	
	LAST NO. USED	10	

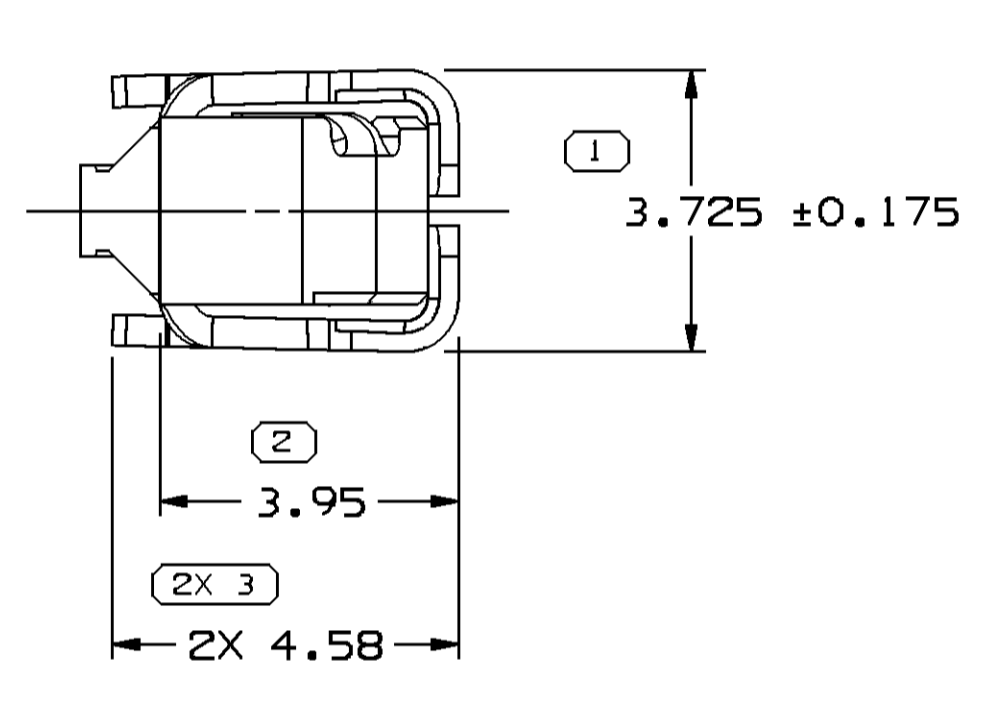
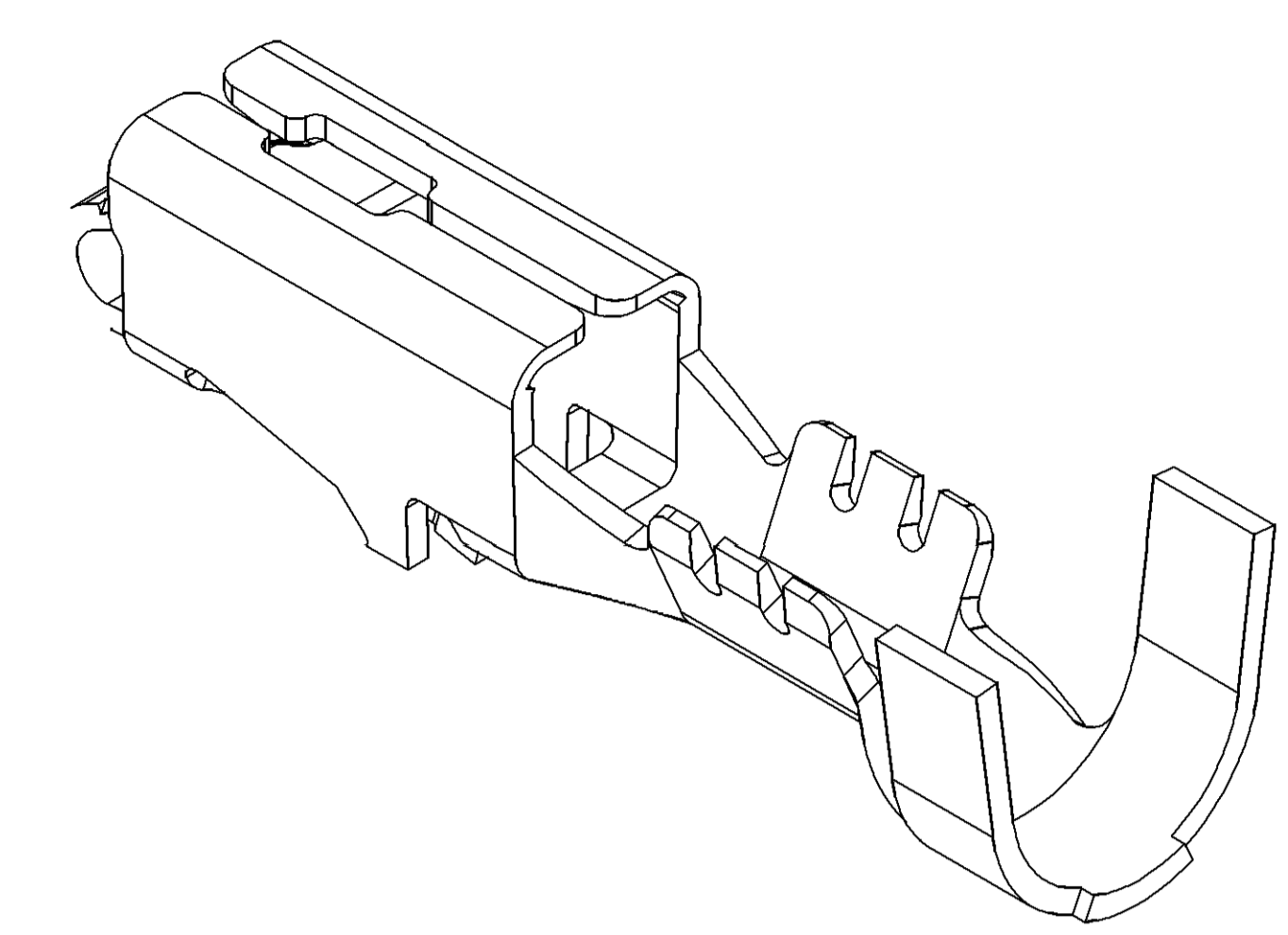
MISSING SYMBOLS				REVISION HISTORY			
DATE	STG	REV	W/P	CHG	ZONE	REVISED BY	DATE
14JAO0	R	001	-	-		CLEARED REV COLUMN: ALL ACTIVE PARTS-UPDATED PDM ATTRIBUTES	196648 CRW 081 LLD
17JL00	R	002	-	-		REINSTATE 12077412	000010 JIB JIB JA
150C04	R	03	-	-		ALL ACTIVE PARTS - ADDED TERMINAL ID NOTE	260003 RTV JVM MKM
24FE05	R	04	-	-		ALL ACTIVE PARTS - REVISED MAT'L SPEC & DRAWING NAME	265136 JS JS TM
18MY05	R	05	-	-		12176389 - UPDATED PDM ATTRIBUTES	268280 JBD FKV WTM
30SE05	R	06	-	-		12077411, 12077413, 12084201, 12129493 & 12176389 - UPDATED PDM ATTRIBUTES; 12077411 - ADDED 1.0 MM² CABLE; ALL ACTIVE PARTS - ADDED NOTE# 6	272905 JTV AUG WTM
11JAO8	R	07	-	-		ALL PARTS - 2X 5 +/-0.15 TYP WAS 2X 5 +/-0.01 TYP	403419 WHC WHC WTM
18FE15	R	08	-	-		33231919 - RELEASED AND 12176387-90 - ADDED TARNISH NOTE	428904 NRM JVM DS



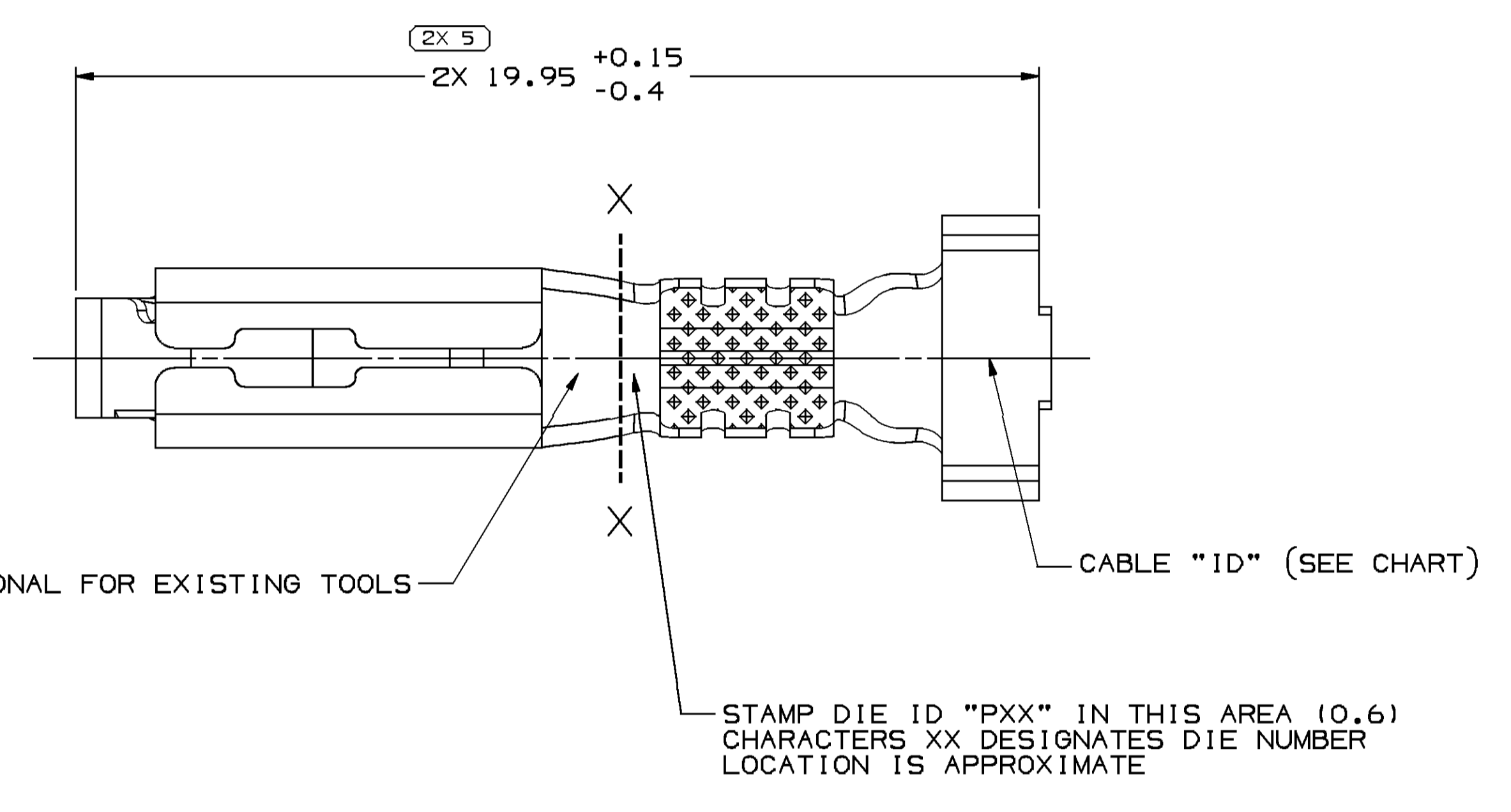
TYPE 102
SAME AS TYPE 101
EXCEPT AS SHOWN



TYPE 103
SAME AS TYPE 101
EXCEPT AS SHOWN



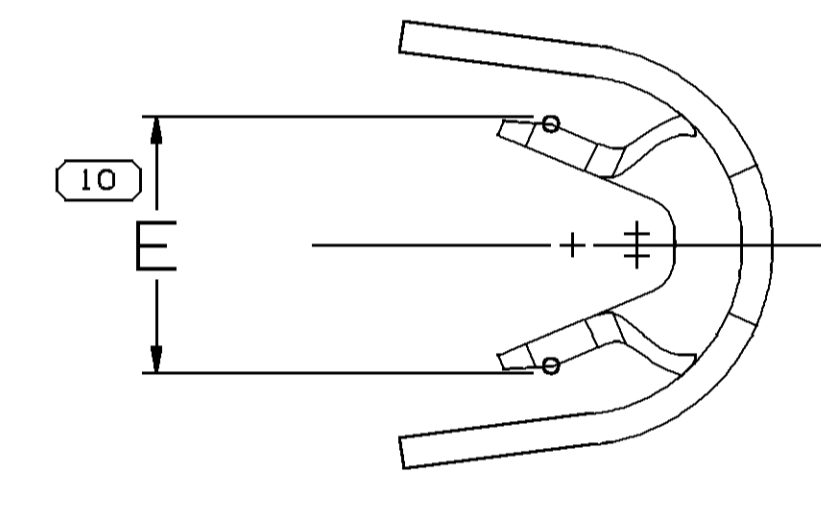
VIEW TO X-X



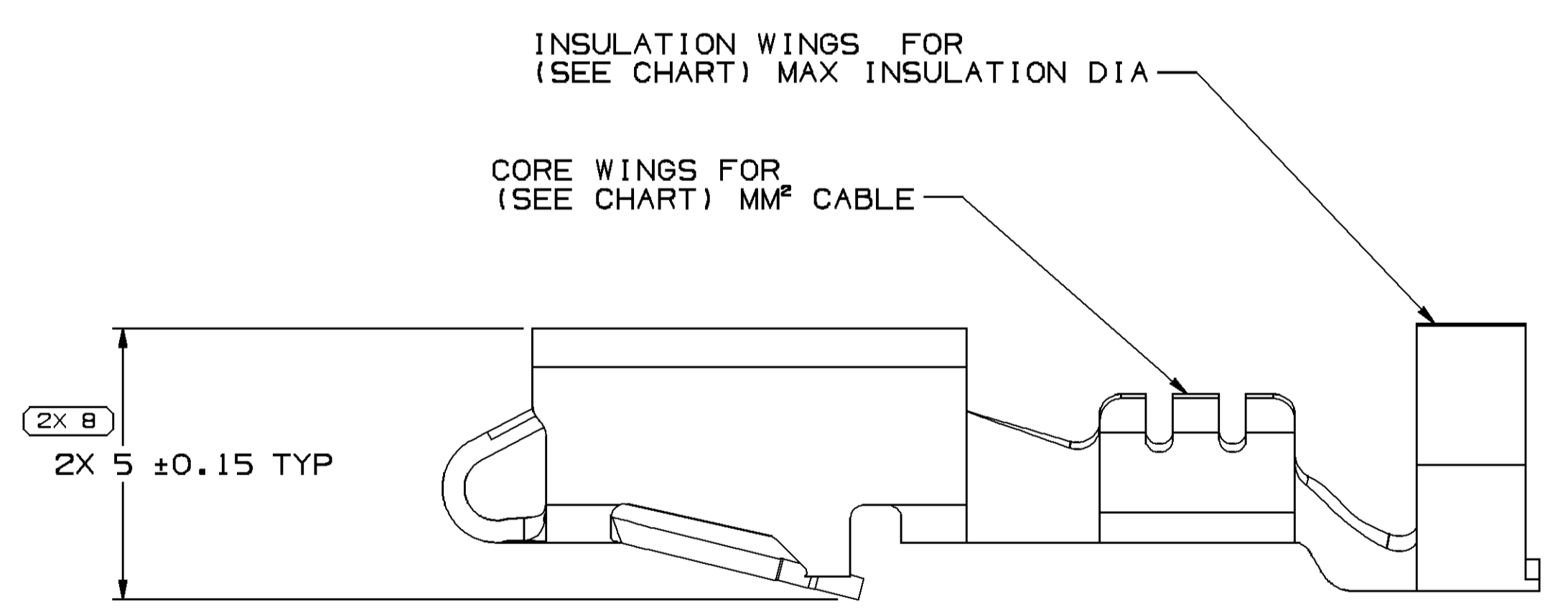
"PED" OPTIONAL FOR EXISTING TOOLS

CABLE "ID" (SEE CHART)

STAMP DIE ID "PXX" IN THIS AREA (0.6) CHARACTERS "XX" DESIGNATES DIE NUMBER LOCATION IS APPROXIMATE



VIEW TO X-X



TYPE 101

- NOTES
- UNLESS OTHERWISE SPECIFIED AND/OR INDICATED: DIMENSIONS ARE TO FACE OF VIEW SHOWN AND AUTOMATICALLY ROUNDED BY COMPUTER FOR INSPECTION (SEE MATH MODEL FOR PRECISE DIMENSIONS). FOR ALL OTHER DIMENSIONS NOT SHOWN BUT REQUIRED FOR TOOL BUILD, SEE MATH MODEL FOR PRECISE TOOL PATH DATA.
 - R 0.4 PERMISSIBLE ON ALL "SHARP" CORNERS
 - RECOMMENDED MATING BLADE 2.8 X 0.81.
 - TERMINALS TO CRIMP AROUND AND RETAIN CAVITY SEAL 12015323 OR EQUIVALENT.
 - "PXX" INDICATES "P" PLUS LAST TWO DIGITS OF MAKE SERIES NUMBER (PO1, PO2, PO3, ETC.).
 - DO NOT PROBE, TEST OR OTHERWISE CONTACT THE INTERIOR REGION (THE SPRING OR ANY MOVING PART) OF THIS TERMINAL. SEVERE DAMAGE CAN OCCUR, COMPROMISING THE PERFORMANCE OF THE ELECTRICAL INTERFACE.
 - FOR TERMINALS PACKAGED & STORED IN THE APPROVED MANNER, TARNISH ON SILVER PLATED SURFACES WILL NOT AFFECT THE PERFORMANCE OF THE PART.

PART NO	REV	MAT'L SIZE	SPEC	PART NO	REV/N/P	MAT'L SPEC	SIZE (MM²)	CABLE	ID	TYPE	
-	-	0.406 X 30.56	-	12176390	AB	AG PLATED COPPER ALLOY	0.35-0.5	0.35-0.5	21	103	2.4±0.2
-	-	-	-	12176389	A9	AG PLATED COPPER ALLOY	0.8-1	2.03-3.12	19	101	3.2±0.4
-	-	0.406 X 30.56	-	33231919	O1	AG PLATED COPPER ALLOY	1-2	2.48-3.05	15	103	3.7±0.4
-	-	0.406 X 30.56	-	12176388	AB	AG PLATED COPPER ALLOY	2-3	2.45-3.80	13	103	4±0.4
-	-	0.406 X 30.56	-	12176387	AB	AG PLATED COPPER ALLOY	5	3.49-3.65	12	103	4.6±0.4
-	-	0.406 X 30.56	-	12129493	CB	TIN PLATED COPPER ALLOY	2-3	2.45-3.80	13	103	4±0.4
-	-	0.406 X 30.56	-	12084201	E11	TIN PLATED COPPER ALLOY	0.35-0.5	1.84-2.51	21	101	2.4±0.2
-	-	0.406 X 30.56	-	12077413	E11	TIN PLATED COPPER ALLOY	3	3.49-3.65	12	103	4.6±0.4
-	-	0.406 X 30.56	-	12077412	E9	TIN PLATED COPPER ALLOY	1-2	2.48-3.05	15	103	3.7±0.4
-	-	0.406 X 30.56	-	12077411	E11	TIN PLATED COPPER ALLOY	0.5-0.8-1.0	2.03-3.12	19	101	3.2±0.4
-	-	0.406 X 32.54	-	12045639	DB	P1519027 425 TIN BRS EX HD SN PLTD	3	3.49-3.65	12	102	4.6±0.4
-	-	0.406 X 32.54	-	12034454	FB	P1519027 425 TIN BRS EX HD SN PLTD	1-2	2.48-3.05	15	102	3.7±0.4
-	-	0.406 X 32.54	-	12026648	HB	P1519027 425 TIN BRS EX HD SN PLTD	0.5-0.8	2.03-3.12	19	101	3.2±0.4
PART NO	REV	MAT'L SIZE	SPEC	PART NO	REV/N/P	MAT'L SPEC	SIZE (MM²)	CABLE	ID	TYPE	
-	-	UNPLATED	-	-	-	-	-	-	-	-	

DELPHI
DELPHI PACKARD ELECTRICAL/ELECTRONIC ARCHITECTURE
WARREN, OH
COPYRIGHT 1998 DELPHI CORPORATION AND/OR ITS AFFILIATES. ALL RIGHTS RESERVED.
THIS DRAWING IS THE PROPERTY OF DELPHI CORPORATION AND CONTAINS DELPHI CONFIDENTIAL INFORMATION. THE REPRODUCTION, DISTRIBUTION AND UTILIZATION OF THIS DOCUMENT OR ITS CONTENTS OR DATA, AS WELL AS COMMUNICATION OF ANY CONTENT TO OTHERS, WITHOUT EXPRESS AUTHORIZATION, IS PROHIBITED.

DATE: 16JUL98

OR: JORGE IBARRA
APV02 OSCAR OCHOA
APV03 O. GALLEGOS
APV04

THIS DOCUMENT IS IN ACCORDANCE WITH ASME Y14.5M-1994 AS INDICATED BY THE DIMENSIONAL DIMENSIONS AND TOLERANCES. SEPARATE PATTERNS OF FEATURES MAY BE SHOWN SEPARATELY. REFERENCES TO OTHERS, WITHOUT EXPRESS AUTHORIZATION, IS PROHIBITED.

ALL DIMENSIONS ARE IN MILLIMETERS

UNLESS OTHERWISE SPECIFIED

THIS DOCUMENT IS IN ACCORDANCE WITH ASME Y14.5M-1994 AS INDICATED BY THE DIMENSIONAL DIMENSIONS AND TOLERANCES. SEPARATE PATTERNS OF FEATURES MAY BE SHOWN SEPARATELY. REFERENCES TO OTHERS, WITHOUT EXPRESS AUTHORIZATION, IS PROHIBITED.

ALL DIMENSIONS ARE IN MILLIMETERS

REFERENCE

1 PROCESS SENSITIVE DIMENSION

DIMENSIONS ENCLOSED IN () INDICATE REFERENCE DIMENSIONS AND NO TOLERANCE LIMITS ARE ESTABLISHED

DIMENSIONAL RANGE (MM) CHART ID
FROM 0 TO > 12

TOLERANCE UNLESS OTHERWISE SPECIFIED
±0.1 ±0.2 ±0.3

ANGULAR TOLERANCE ±2°

THIRD ANGLE PROJECTION

DO NOT SCALE USE MATH DATA

DRAWING NUMBER: 12089195

TAXI TERM F M/P 280 SEALED

SIZE: A0 SCALE: 10:1 FRAME NO: 1 OF 1 SHEET NO: 1 OF 1 STG: R REV: 08