

MC Series Float Switch



The MC Series cable-end float switch is insensitive to humidity and condensation and is designed to control liquids up to 130°C and a maximum pressure of 4 bar. Because of the temperature at which this float switch is used, the outer casing is made from 304 AISI stainless steel and the 5m electric cable is equipped with an outer sheath resistant to high temperature. Two cable types are available - polyurethane and silicone, to suit the fluid being measured.

The switching element is a microswitch, with gold plated contacts, activated by a moving stainless steel ball and having an electrical life of 200,000 operations. Non-hygroscopic closed cell expanded polyurethane is injected around the switch housing within the outer casing, hermetically sealing the unit. The microswitch is suitable for low power applications such as PLC use and other electronic uses.

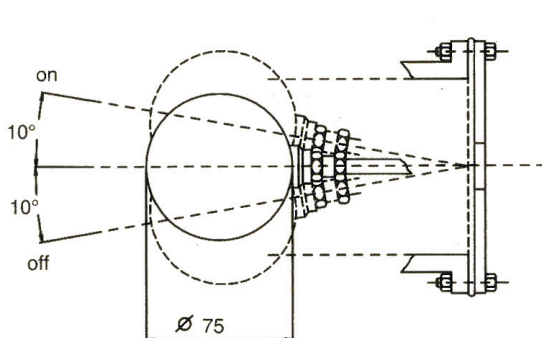
When used with the polyurethane cable it is suitable for use in fuel oils. Note, the cable is non-replaceable, in case of damage the whole device must be replaced.

Each unit is supplied complete with a counterweight

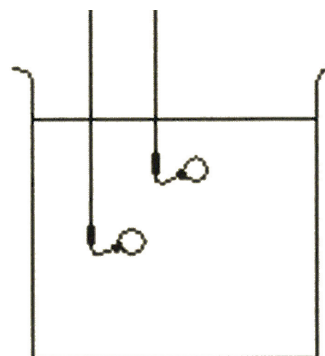


Technical Specifications				
Part No.	MC05A	MC05AH	MC05B	MC05BH
Contact Form	N/O		N/C	
Switching Current Max. Resistive (A)	0.25			
Power Rating (VA)	3			
Max DC V	60			
Cable Material	Polyurethane	Silicone	Polyurethane	Silicone
Cable length	5m with protective earth wire included			
Body Material	304 Stainless steel			
Temp Range °C	0 / +80	0 / +130	0 / +80	0 / +130
°F	+ 32 / +176	+ 32 / + 266	+ 32 / +176	+ 32 / + 266
Max. working pressure bar	4			

- Low power switching
- Cable mounting
- Up to 130°C capability



Side Mount
(thru side wall)



Top Mount
(using counterweight)

Cynergy3 Components Ltd
7 Cobham Road
Ferndown Industrial Estate
Wimborne
Dorset BH21 7PE
Tel: +44 (0) 1202 897969
sales@cynergy3.com
www.cynergy3.com

ISO 9001 CERTIFIED

MC 2016

© 2016 Cynergy3 Components, All Rights Reserved. Specifications are subject to change without prior notice. Cynergy3 Components and the Cynergy3 Components logo are trademarks of Cynergy3 Components Limited.

www.cynergy3.com

X-ON Electronics

Largest Supplier of Electrical and Electronic Components

Click to view similar products for [Cynergy3](#) manufacturer:

Other Similar products are found below :

[IPSU-GP1K5-6M12](#) [EXT050M16SS](#) [EXT075G38SS](#) [DAT70515T](#) [DAT72415T](#) [ILLSU-GI048-D-003](#) [ILLSU-GI120-5-005](#) [ILLSU-GI120-D-005](#) [ILLSU-GI240-5-008](#) [ILLSU-GI240-D-008](#) [ILLSU-GI360-5-012](#) [ILLSU-GI480-D-016](#) [ILSEU-GI120-5](#) [ILSU-GI120-005](#) [ILSU-GI1K8-060](#) [ILSU-GI360-016](#) [ILSU-GI3K6-110](#) [ILSU-GI720-025](#) [ILTSU-GI048-003](#) [IPSU-C0446-5](#) [IPSU-C0447-6](#) [LC05FBR-PUR](#) [LC10FBR-PVC](#) [LC10FBS-PVC](#) [LM10AW](#) [LM10CW](#) [SH-3052](#) [SH-3151](#) [SH-3151RH](#) [SH-5151](#) [SH-5151RH](#) [SH-5653](#) [SH-5653RH](#) [SH-7052](#) [EXT100G38SS](#) [SSF214X100](#) [SSF67V70S500](#) [SSV66A24A813E34NP](#) [SSV66A24E34NP](#) [TSF44H100DF](#) [TSF73Y100DN](#) [TSF76Y050TV](#) [MP1C-3](#) [ILLSU-GI360-D-012](#) [ILLSU-GI480-5-016](#) [ILSEU-GI048-5](#) [ILSU-GI048-003](#) [ILTSU-GI180-007](#) [IPSLU-GP008-5](#) [IPSLU-GP010-5](#)