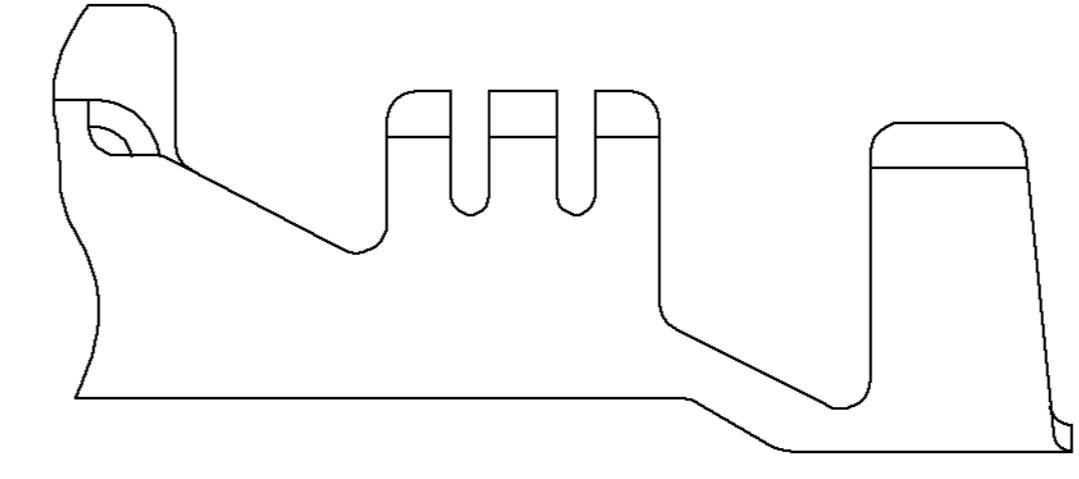
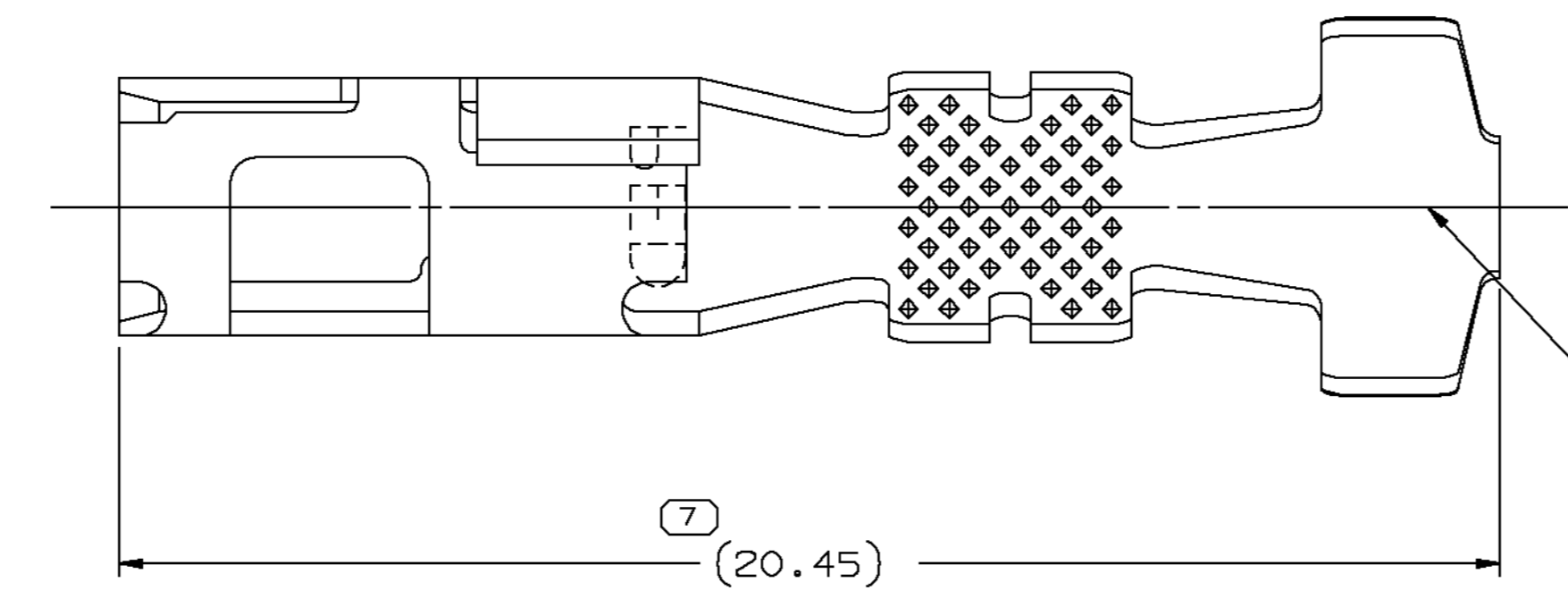
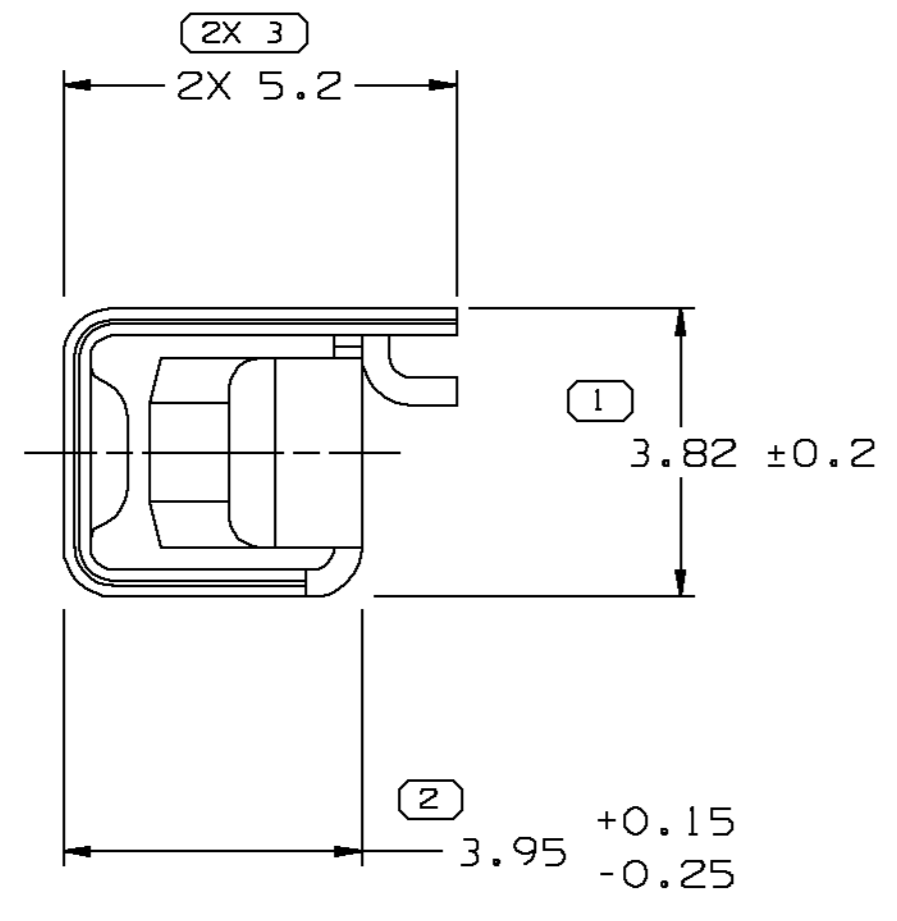


SYMBOL DEFINITION		MISSING SYMBOLS	
A DIMENSION WITHOUT AN INSPECTION REPORT SYMBOL DOES NOT REQUIRE INSPECTION. IT MAY BE CONTROLLED ON THE INDIVIDUAL COMPONENT DRAWING.	TOTAL NO OF INSPECTIONS REQUIRED	9	NO MISSING SYMBOL NUMBER
	LAST NO. USED	8	

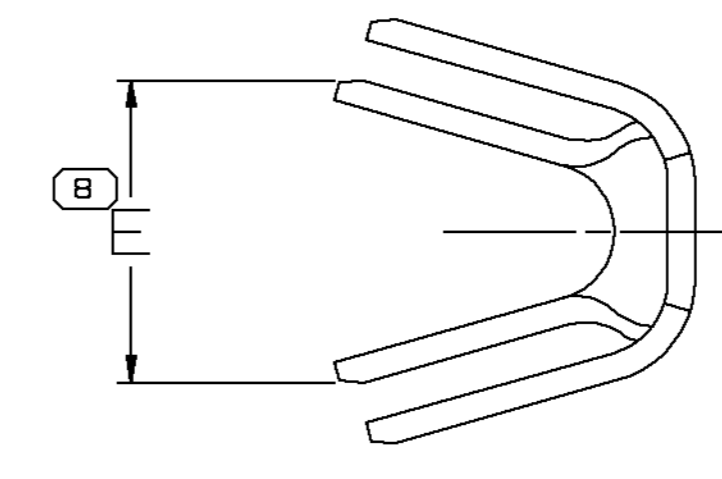
DWG STATUS				REVISION HISTORY				AUTH	DR	APVD	APVD
DATE	STG	REV	N/P	CHG	ZONE					1	2
06N001	R	05	-			REDRAWN TO PD; ALL PARTS - ADDED DIM		216976	EGR		RC



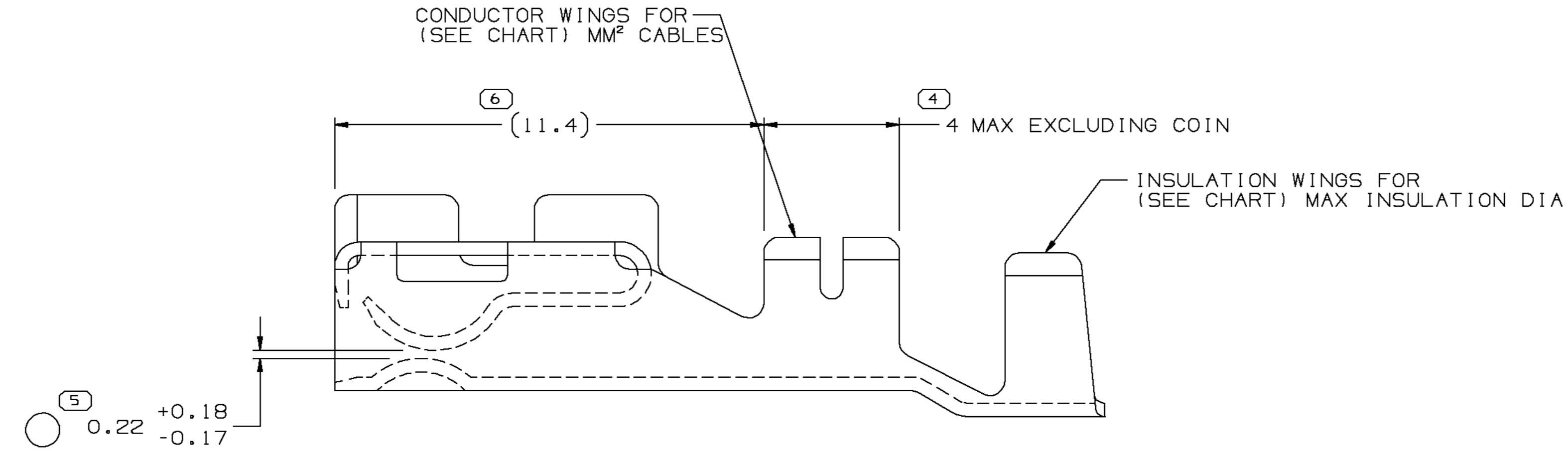
TYPE 402
SAME AS TYPE 401
EXCEPT AS SHOWN



STAMP CABLE ID NO
ON UNDERSIDE IN THIS
AREA



TYPE 401



- NOTES
- UNLESS OTHERWISE SPECIFIED AND/OR INDICATED: DIMENSIONS ARE TO FACE OF VIEW SHOWN AND AUTOMATICALLY ROUNDED BY COMPUTER FOR INSPECTION (SEE MATH MODEL FOR PRECISE DIMENSIONS). FOR ALL OTHER DIMENSIONS NOT SHOWN BUT REQUIRED FOR TOOL BUILD, SEE MATH MODEL FOR PRECISE TOOL PATH DATA.
 - RECOMMENDED MATING BLADE - WIDTH 2.8 ±0.08, THICKNESS 0.86/0.79 AND LENGTH 7.5 ±0.15.

PART NO	REV	STATUS	MAT'L SPEC	MAT'L SIZE	PART NO	REV/N/P	STATUS	MAT'L SPEC	MAT'L SIZE	SIZE (MM²)	CABLE	DIA	ID	TYPE	
12186461	A1	-			P1519456	425	TIN BRS EX HD SN PLTD		0.360 X 26.61	TWO 0.35		1.69-1.47	222	402	2.7
12186460	A1	-			P1519456	425	TIN BRS EX HD SN PLTD		0.360 X 26.61	TWO 0.5		2.19-1.69	220	402	3.5
12186459	A1	-			P1519456	425	TIN BRS EX HD SN PLTD		0.360 X 26.61	TWO 1.0/0.8		2.42-1.96	217	401	4.2
12186458	A1	-			P1519456	425	TIN BRS EX HD SN PLTD		0.360 X 26.61	0.5-0.35		2.19-1.47	21	402	2.4
12186457	A1	-			P1519456	425	TIN BRS EX HD SN PLTD		0.360 X 26.61	1.0-0.8		2.64-1.96	17	402	2.8
12186456	A1	-			P1519456	425	TIN BRS EX HD SN PLTD		0.360 X 26.61	3.0-2.0		3.65-2.50	13	401	4

DIMENSIONAL RANGE (MM)		CHART ID	THIRD ANGLE PROJECTION	DO NOT SCALE
FROM	TO			
0	12	>12		
TOLERANCE UNLESS OTHERWISE SPECIFIED				
±0.1		±0.2		
ANGULAR TOLERANCE ±2°				

DWG TYPE		PART DRAWING	
STYLE		DISTR CODE	D
VOLUME (CWP)		ROUTING	6900
UNLESS OTHERWISE SPECIFIED			
THIS DOCUMENT IS IN ACCORDANCE WITH ASME Y14.5M-1994 AS AMENDED BY THE GW GLOBAL DIMENSIONING AND TOLERANCING ADDENDUM 1997. ALL DIMENSIONAL TOLERANCES AND RELATED DATUMS APPLY UNLESS OTHERWISE SPECIFIED. THIS DOCUMENT DOES NOT APPLY WHEN RELATIONSHIP BETWEEN FEATURES IS ESTABLISHED BY ORIENTATION OR LOCATION TOLERANCES. SEPARATE POSITION CALLOUTS MAY BE USED SEPARATELY, REGARDLESS OF DATUM REFERENCE.			
REFERENCE			

DELPHI
DELPHI PACKARD ELECTRIC SYSTEMS
WARREN, OH

DR	DATE
APVD1 RUBEN ORTIZ	08JL96
APVD2 ENRIQUE BAEZ	11JL96
APVD3 Q. GALLEGOS	27AU96
APVD4	
APVD5	

SUBSTANCES OF CONCERN AND RECYCLED CONTENT PER DELPHI 10949001

MATERIAL

SEE CHART

DRAWING NAME
TAXI TERM ACT 280

DRAWING NUMBER
12084994

SIZE	SCALE	FRAME NO	SHEET NO	STG	REV	N/P
A0	10:1	1	4	OF	1	05