

Accessories - MSTBC-MT 0,5-1,0 BA - 3190645

Please be informed that the data shown in this PDF Document is generated from our Online Catalog. Please find the complete data in the user's documentation. Our General Terms of Use for Downloads are valid (<http://download.phoenixcontact.com>)



Module female contact, is inserted into the MSTBC connector shell after the conductor has been crimped, for conductors from 0.5 - 1.0 mm², ribbon contact

Supplied in tape form - please note the drawing.



Key commercial data

| | |
|--------------------------------------|---|
| Packing unit | 1 pc |
| Minimum order quantity | 4000 pc |
| GTIN |  4 017918 117436 |
| Weight per Piece (excluding packing) | 0.69 GRM |
| Custom tariff number | 85366990 |
| Country of origin | Czech Republic |

Technical data

General

| | |
|--|---|
| Nominal current | 12 A (with 1 mm ² conductor cross section) |
| Conductor cross section stranded min. | 0.5 mm ² |
| Max. conductor cross section, stranded | 1 mm ² |

Connection data

| | |
|--------------------------------------|-------------------|
| Core diameter including insulation | 1.4 mm ... 2.3 mm |
| Stripping length of individual wires | 3.5 mm |

Material data

| | |
|--------------------------|------------|
| Contact material | CuFe |
| Contact surface material | Tin-plated |

Accessories - MSTBC-MT 0,5-1,0 BA - 3190645

Classifications

eCl@ss

| | |
|------------|----------|
| eCl@ss 4.0 | 272607xx |
| eCl@ss 4.1 | 27260701 |
| eCl@ss 5.0 | 27260701 |
| eCl@ss 5.1 | 27260701 |
| eCl@ss 6.0 | 27260704 |
| eCl@ss 7.0 | 27449202 |
| eCl@ss 8.0 | 27449202 |

ETIM

| | |
|----------|----------|
| ETIM 3.0 | EC001121 |
| ETIM 4.0 | EC001121 |
| ETIM 5.0 | EC002641 |

UNSPSC

| | |
|---------------|----------|
| UNSPSC 6.01 | 30211810 |
| UNSPSC 7.0901 | 39121410 |
| UNSPSC 11 | 39121409 |
| UNSPSC 12.01 | 39121409 |
| UNSPSC 13.2 | 39121409 |

Approvals

Approvals

Approvals

GOST

Ex Approvals

Approvals submitted

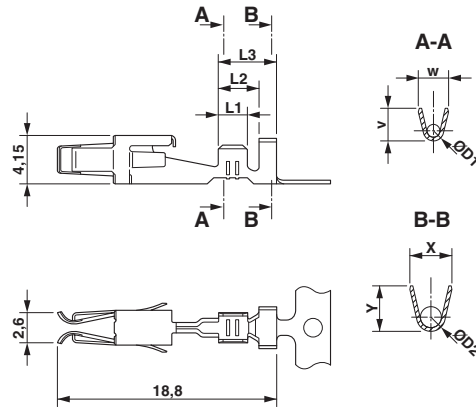
Approval details

| |
|--|
| GOST  |
|--|

Accessories - MSTBC-MT 0,5-1,0 BA - 3190645

Drawings

Dimensioned drawing



X-ON Electronics

Largest Supplier of Electrical and Electronic Components

Click to view similar products for [In-Line Junction Modules](#) category:

Click to view products by [Phoenix Contact](#) manufacturer:

Other Similar products are found below :

[00111975102](#) [6131-202-1358P](#) [6131-207-1158P](#) [6131-207-1558P](#) [6131-207-1758P](#) [6131-209-2558P](#) [6131-217-1758P](#) [6131-258-1958P](#)
[6131-261-2358P](#) [6131-264-1358P](#) [6134-209-19149](#) [6408-203V-09273](#) [D38999/26FJ43SB](#) [87.200.2201.3](#) [87.210.2204.3](#) [87.210.2211.3](#)
[88083-10-6PN](#) [88083-10-6PN-L/C](#) [88083-10-6SN](#) [88083-10-6SN-LC](#) [88083-12-10PN-L/C](#) [88083-14-15SN-LC](#) [88083-14-15SW-L/C](#)
[88083-14-19SN](#) [88083-14-19SN-LC](#) [88083-14-4PN-LC](#) [88083-14-5SN-LC](#) [88083-16-26SN-LC](#) [88083-16-8PN-LC](#) [88083-18-8SN-LC](#)
[88083-20-41PN-LC](#) [1210230271](#) [1210640168](#) [1210641064](#) [S53209NR051](#) [M81714/12-22D-2-LC](#) [TJSE20535](#) [TJSE20551](#) [TJSE20706](#)
[YCTJ920E12NC098000](#) [6131-202-2358P](#) [6131-205-2558P](#) [6131-208-2558P](#) [6131-258-2158P](#) [E162N2N0506R](#) [M817142DA1](#) [C81311N21](#)
[CA3108E16S-1PA206](#) [87.200.2205.3](#) [1210401236](#)