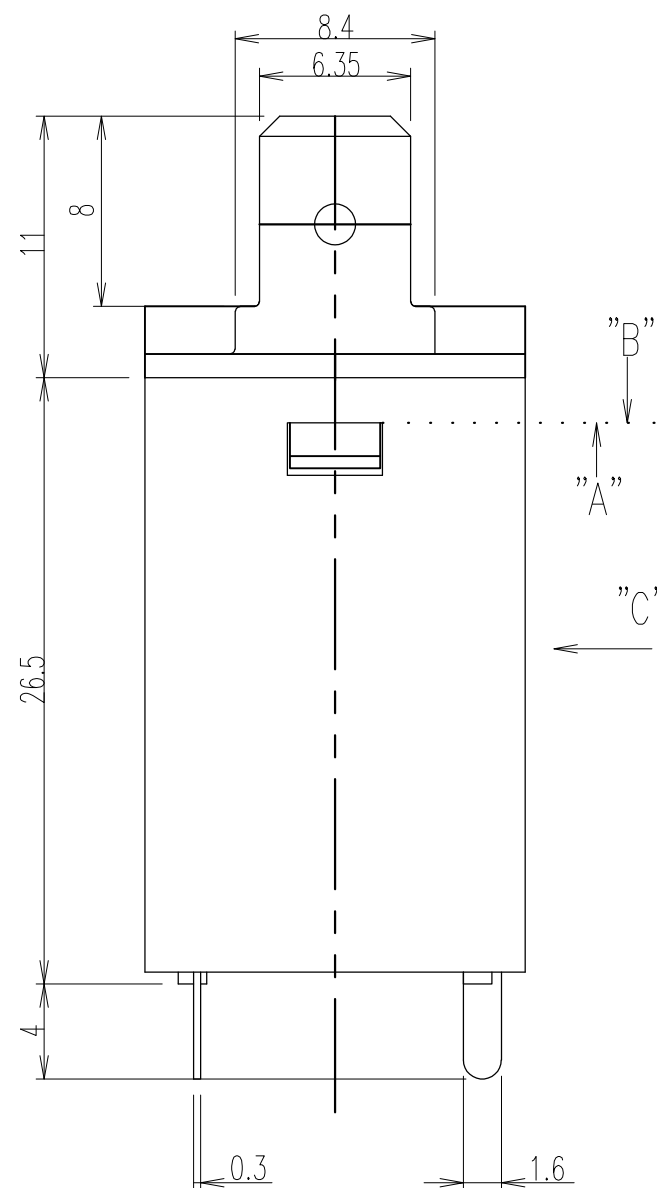
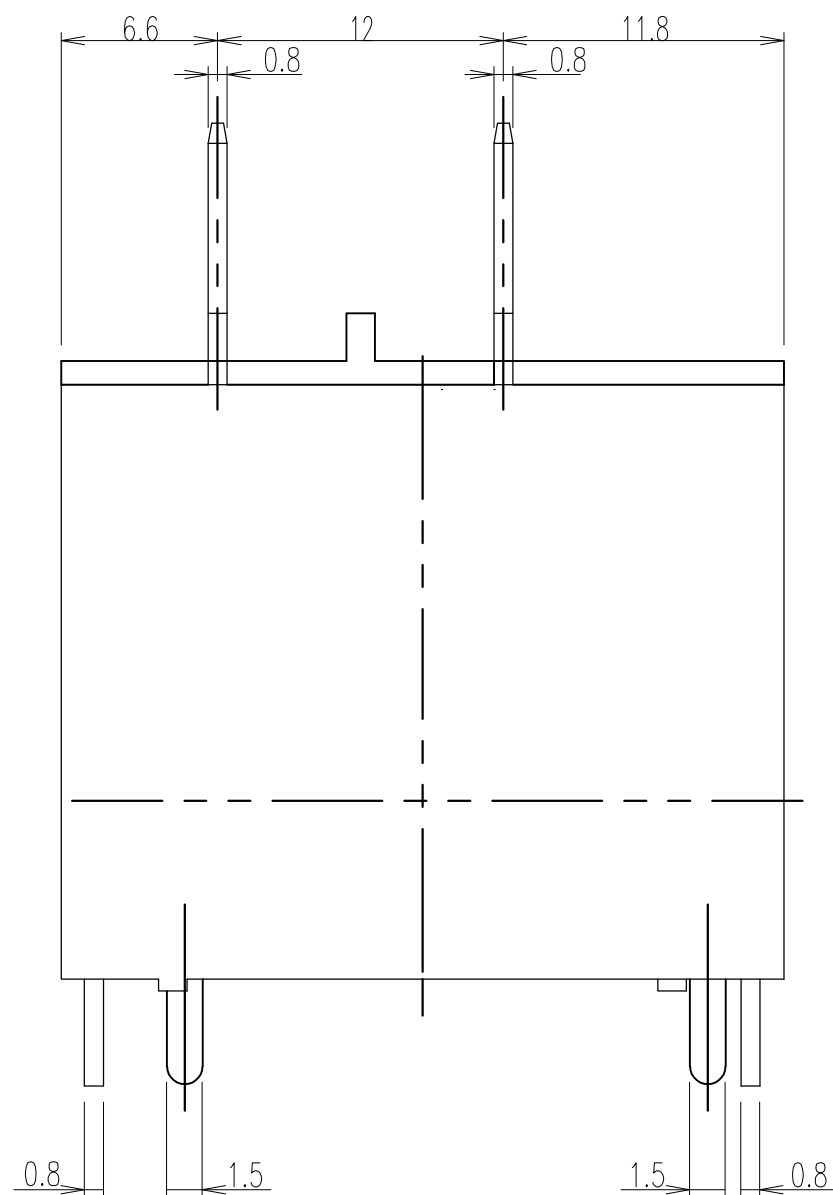


P	LTR	DESCRIPTION	DATE	DWN	APVD
B1		REVISED PER ECO-11-005140	29MAR11	RK	HMR



ⓑ NOTE:
LOT NO. SYSTEM AS FOLLOWING:

WEEK
YEAR

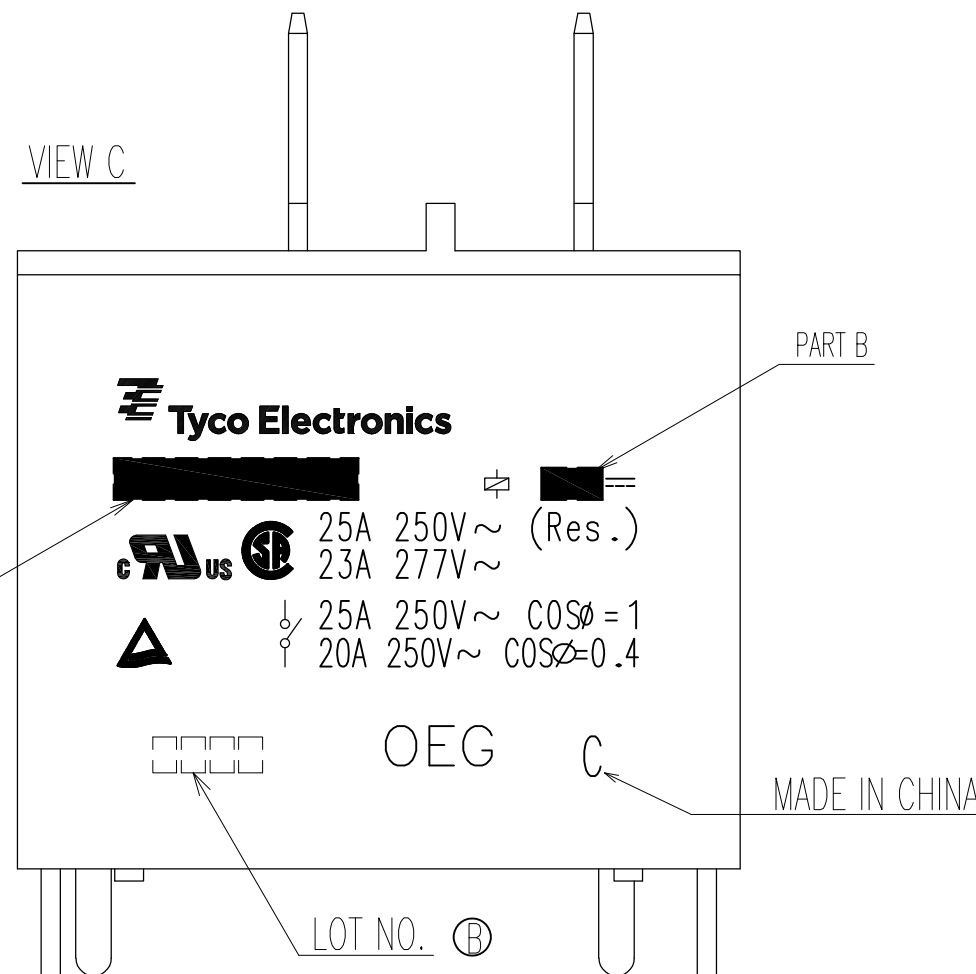


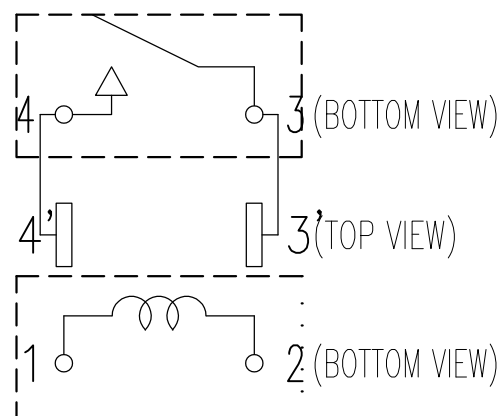
Diagram dimension	Tolerance
0.99mm max.	±0.1mm
1 - 2.99mm	±0.2mm
3mm min.	±0.3mm

DIMENSIONS: mm	TOLERANCES UNLESS OTHERWISE SPECIFIED: 0 PLC ± 1 PLC ± 2 PLC ± 3 PLC ± 4 PLC ± ANGLES ±	DWN H.SASAKI
		CHK N.FUNAYAMA
		APVD A.NAGAI
		PRODUCT SPEC -
MATERIAL SEE MATERIAL TABLE	FINISH -	APPLICATION SPEC -
		WEIGHT -

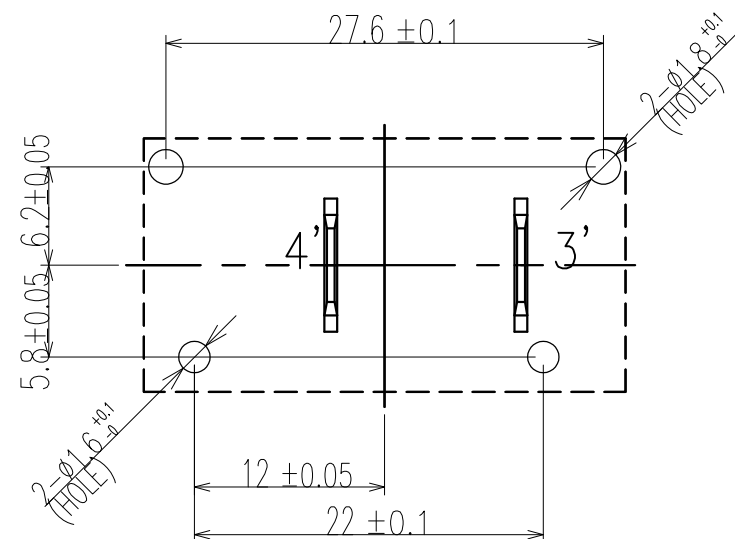
NAME		TE Connectivity	
SIZE A3	CAGE CODE 00779	DRAWING NO C- 2-1419146-1	RESTRICTED TO -
CUSTOMER DRAWING		SCALE 3:1	SHEET 1 OF 2 REV B1

P	LTR	DESCRIPTION	ECN	DATE	DWN	APVD

CONNECTION DIAGRAM




DRILLING DIAGRAM (BOTTOM VIEW)



2-1419146-4	PCF-148D1M,000	48V	PCF-148D1M	f
9-1419129-5	PCF-124D1M,000	24V	PCF-124D1M	e
9-1419129-2	PCF-112D1M,000	12V	PCF-112D1M	d
2-1419146-3	PCF-109D1M,000	9V	PCF-109D1M	c
2-1419146-2	PCF-106D1M,000	6V	PCF-106D1M	b
2-1419146-1	PCF-105D1M,000	5V	PCF-105D1M	a
PART NO	DESCRIPTION	PART B	PART A	ITEM

RELAY TYPE

		EPOXY RESIN	SEAL	18
		POLYURETHANE Cu WIRE	MAGNETIC WIRE	17
UL 94V-0		PPS	CARD	16
UL 94V-0		PBT	CASE	15
UL 94V-0		PBT	BASE	14
UL 94V-0		PBT	BOBBIN	13
	SOLDER DIP	Cu ALLOY	COIL TERMINAL R	12
	SOLDER DIP	Cu ALLOY	COIL TERMINAL L	11
		STAINLESS	HINGE SPRING	10
		Ag ALLOY	STATIONARY CONTACT	9
		Ag ALLOY	MOVABLE CONTACT	8
		Cu ALLOY	STATIONARY SPRING	7
		Cu ALLOY	MOVABLE SPRING	6
	SOLDER DIP	Cu ALLOY	STATIONARY TERMINAL	5
	SOLDER DIP	Cu ALLOY	MOVABLE TERMINAL	4
		Ni PLATED STEEL	CORE	3
		Ni PLATED STEEL	ARMATURE	2
		Ni PLATED STEEL	YOKE	1
INCOMBUSTIBILITY	TREATMENT	MATERIAL	DESCRIPTION	ITEM

DWN		 TE Connectivity			
CHK					
APVD					
PRODUCT SPEC					
APVD		NAME			
APPLICATION SPEC		PCF-D1M CUSTOMER DRAWING			
WEIGHT		SIZE	CAGE CODE	DRAWING NO	RESTRICTED TO
SEE MATERIAL TABLE		A3	00779	2-1419146-1	-
FINISH		SCALE		SHEET	REV
-		3:1		2 OF 2	B1

X-ON Electronics

Largest Supplier of Electrical and Electronic Components

Click to view similar products for [General Purpose Relays](#) category:

Click to view products by [TE Connectivity](#) manufacturer:

Other Similar products are found below :

[APF30318](#) [JVN1AF-4.5V-F](#) [PCN-105D3MHZ](#) [5JO-10000S-SIL](#) [5JO-1000CD-SIL](#) [5JO-400CD-SIL](#) [LY2S-AC220/240](#) [LYQ20DC12](#)
[6031007G](#) [6131406HQ](#) [6-1393099-3](#) [6-1393099-8](#) [6-1393122-4](#) [6-1393123-2](#) [6-1393767-1](#) [6-1393843-7](#) [6-1415012-1](#) [6-1419102-2](#) [6-](#)
[1423698-4](#) [6-1608051-6](#) [6-1608067-0](#) [6-1616170-6](#) [6-1616248-2](#) [6-1616282-3](#) [6-1616348-2](#) [6-1616350-1](#) [6-1616350-8](#) [6-1616358-7](#) [6-](#)
[1616359-9](#) [6-1616360-9](#) [6-1616931-6](#) [6-1617039-1](#) [6-1617052-1](#) [6-1617090-2](#) [6-1617090-5](#) [6-1617347-5](#) [6-1617353-3](#) [6-1617801-8](#) [6-](#)
[1617802-2](#) [6-1618107-9](#) [6-1618248-4](#) [M83536/1-027M](#) [CX-4014](#) [MAHC-5494](#) [MAVCD-5419-6](#) [703XCX-120A](#) [7-1393100-5](#) [7-1393111-7](#)
[7-1393144-5](#) [7-1393767-8](#)