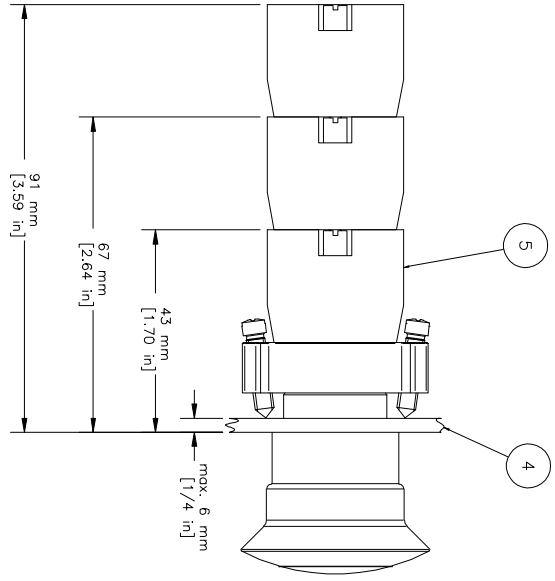
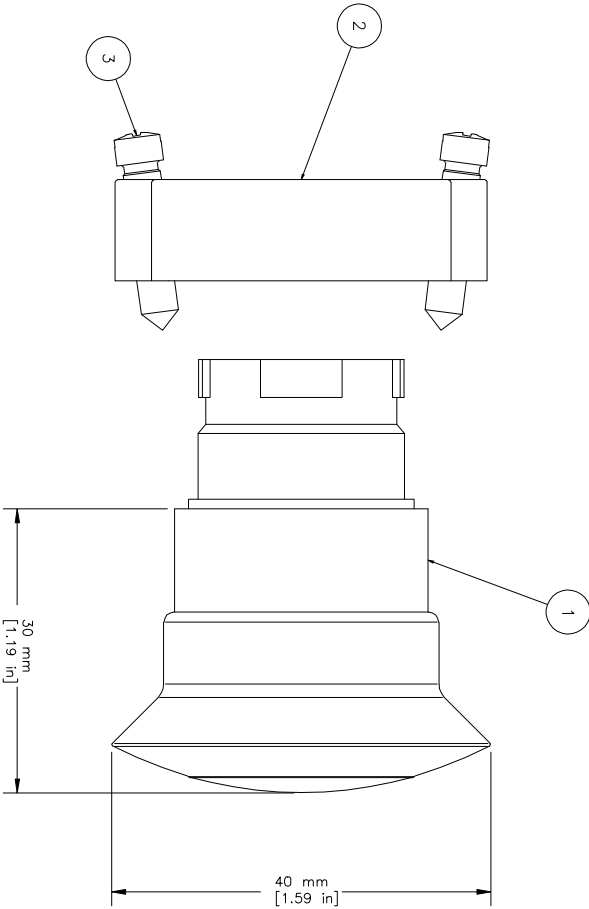
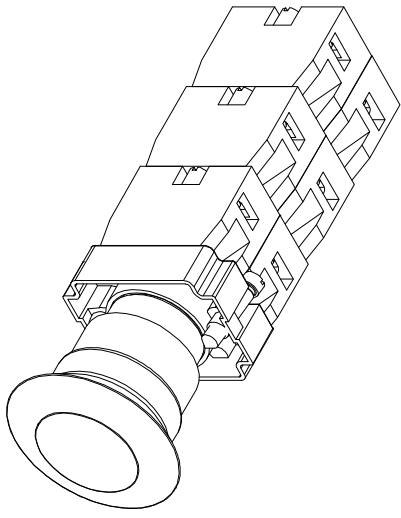


REVISIONS FOR DWG # 1PB-2AMX				
REV	CH. NO.	DESCRIPTION	DATE	REVISED BY
-	-	ORIGINAL DESIGN	09/14/07	Phil E.



ITEM	DESCRIPTION	CAT. NO.	COLOR	MIN. QTY.	MAX. QTY.
1	Mushroom Momentary Operator (comes with mounting bracket 2BRK)	2AM1	White	1	1
		2AM2	Black	1	1
		2AM3	Green	1	1
		2AM4	Red	1	1
		2AM6	Blue	1	1
2AM8	Yellow	1	1		
2	Mounting Bracket	2BRK	-	1	1
3	Mounting Bracket Screws	Incl. in 2BRK	-	2	2
4	Panel	-	-	-	-
5	Switch Contacts	S1	Green	1	6
		S2	Red	1	6
		S3	Green/Gray	1	6
		S4	Red/Gray	1	6

TITLE: 22 mm Non-Illuminated Mushroom Momentary Metal Operator 2AMx (x=color)

UNLESS OTHERWISE SPECIFIED
 • ALL DIMENSIONS ARE IN MILLIMETERS
 • THIRD ANGLE PROJECTION

THIS DRAWING IS THE PROPERTY OF
Attech Corp.
 35 Royal Road
 Flemington NJ 08822-6000
 (908) 806-9400 • Fax (908) 806-9490

AND IS A CONFIDENTIAL DISCLOSURE
 LENT WITHOUT CONSIDERATION OTHER
 THAN THE BORROWER'S AGREEMENT
 THAT IT SHALL NOT BE REPRODUCED,
 COPIED, LENT, OR DISPOSED OF
 DIRECTLY OR INDIRECTLY NOR USED
 FOR ANY PURPOSE OTHER THAN THAT
 FOR WHICH IT IS SPECIFICALLY
 FURNISHED.

DRAWN BY: Philipp Ernstberger 09/14/07
 CHECKED BY: Laszlo Gyorgypal 09/14/07
 RELEASED BY: Laszlo Gyorgypal 09/14/07

DRAWING NO.: 1PB-2AMX
 SCALE: - SHEET: 1 OF: 1

TOLERANCE
 XX ±1 mm
 XX.X ±0.5 mm
 XX.XX ±0.2 mm
 ALL - mm

MUR-C

X-ON Electronics

Largest Supplier of Electrical and Electronic Components

Click to view similar products for [Switch Actuators](#) category:

Click to view products by [Altech](#) manufacturer:

Other Similar products are found below :

[LW1B-M0](#) [61-1330.0](#) [61-2607.0/D](#) [680-4000-00](#) [704.411.018I](#) [704.412.0](#) [704.633.1](#) [704.730.1](#) [704.733.0](#) [79452124](#) [84-1221.7](#) [G6083](#)
[9PA24](#) [120-1867-000](#) [ADC-418G](#) [12MA7](#) [HW1M-L2222](#) [200-.704-00](#) [JS-10008](#) [JS-10083](#) [JS-10118](#) [JS-10133](#) [JS-116](#) [JS-150](#) [JS-552](#) [JS-555](#) [JS-68](#) [JS-6-B](#) [JS-91](#) [JS-94](#) [22-211.011](#) [9001KXSDC](#) [KRR22NW3XX03](#) [SAPT654133](#) [2PA3](#) [STKLBU](#) [STKLWH](#) [SW53AA2](#) [302561](#)
[3E-10.4](#) [3E-12.0](#) [468-10243-001](#) [51-030.002](#) [51-030.005](#) [JM-13](#) [JS-10120](#) [JS-138-B](#) [JS-143-B](#) [JS-49](#) [JS-551](#)