

Up to **six** switch contacts can be installed.

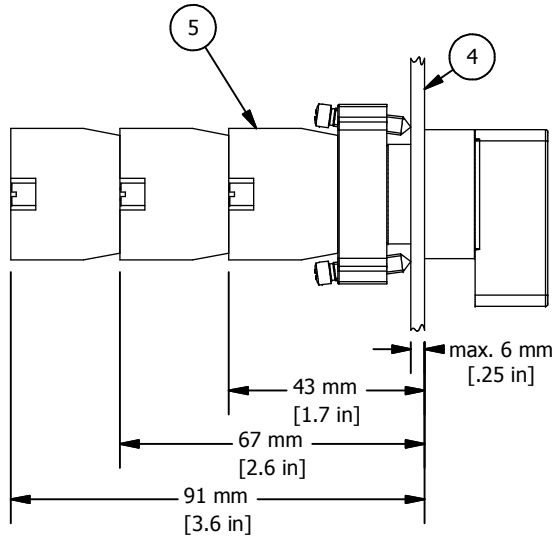
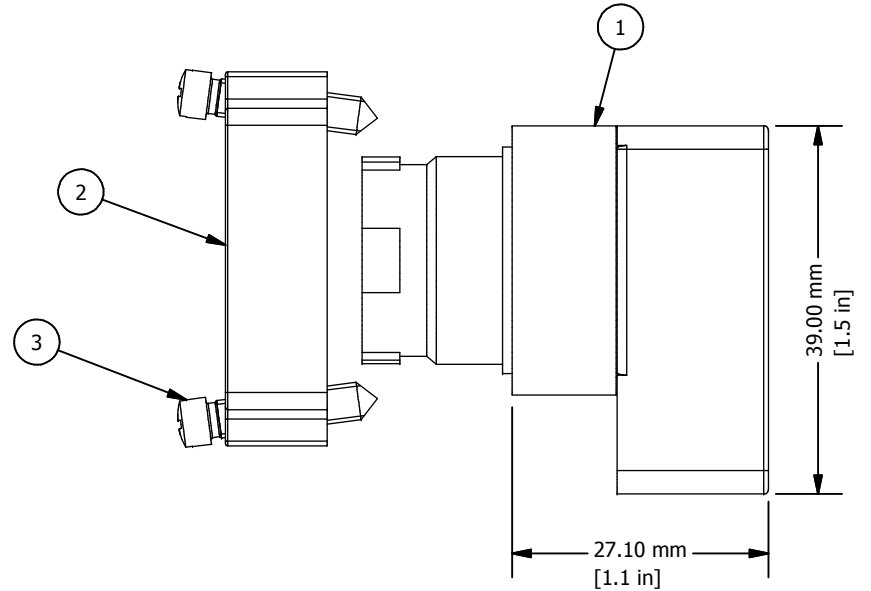
**3 POSITION SELECTOR SWITCH CONTACT BLOCK OPERATION GUIDE**

CONTACT BLOCK GUIDE			
×	○	○	1 NO (left)
○	×	○	2 NC in series (side × side)
○	○	×	1 NO (right)
×	×	○	1 NC (right)
○	×	×	1 NC (left)
×	○	×	2 NO in parallel (side × side)

(Left or right as seen from front of operator)

**REVISION FOR DWG # 1PB-2AS2E-x**

REV	CH.NO.	DESCRIPTION	DATE	REVISED BY
-	-	ORIGINAL DESIGN	11/01/07	PHILIPP E.



\* = Selector Switch is supplied with mounting bracket (ITEM 1,2 and 3)

\*\* = Switch Contacts must be order separately

ITEM	DESCRIPTION	CAT. NO.	DESCRIPTION	Color	MIN. QTY.	MAX. QTY.
1*	Selector Switch	2AS2E-1	Maintained	Black	1	1
		2AS2E-2	Spring Return	Black	1	1
		2AS2E-3	Maintained	Black	1	1
		2AS2E-4	Spring Return	Black	1	1
		2AS2E-5	Spring Return	Black	1	1
		2AS2E-6	Spring Return	Black	1	1
2*	Mounting Bracket	2BRK	-	-	1	1
3	Mounting Bracket Screws	incl. in 2BRK	-	-	2	2
4	Panel	-	-	-	-	-
5**	Switch Contacts	S1	-	Green	1	6
		S2	-	Red	1	6
		S3	-	Green/Black	1	6
		S4	-	Red/Black	1	6

UNLESS OTHERWISE SPECIFIED:  
 • ALL DIMENSIONS ARE IN MILLIMETERS  
 • THIRD ANGLE PROJECTION



This Drawing is the property of  
**Altech Corp.**

35 Royal Road  
 Flemington, NJ 08822-6000  
 (908) 806-9400  
 Fax (908) 806-9490

AND IS A CONFIDENTIAL DISCLOSURE WITHOUT CONSIDERATION OTHER THAN THE BORROWER'S AGREEMENT THAT IT SHALL NOT BE REPRODUCED, COPIED, LENT OR DISPOSED OF DIRECTLY OR INDIRECTLY NOR USED FOR ANY PURPOSE OTHER THAN THAT FOR WHICH IT IS SPECIFICALLY FURNISHED.

TITEL **22 mm Non-Illuminated Metal Extended Selector Switch Operator 2AS2E-x**

DRAWN BY: Philipp Ernstberger	11/01/07	DRAWING NO.:	1PB-2AS2E-x	REV.:	-
CHECKED BY: Laszlo Gyorgypal	11/01/07	SCALE:	-	SHEET:	1 OF: 1
RELEASED BY: Laszlo Gyorgypal	11/01/07				

TOLERANCE		
XX	=	±1 mm
XX.X	=	±0.5 mm
XX.XX	=	±0.2 mm
ALL	=	- mm

**METRIC**

## X-ON Electronics

Largest Supplier of Electrical and Electronic Components

*Click to view similar products for [Switch Actuators](#) category:*

*Click to view products by [Altech](#) manufacturer:*

Other Similar products are found below :

[LW1B-M0](#) [61-1330.0](#) [61-2607.0/D](#) [680-4000-00](#) [704.411.018I](#) [704.412.0](#) [704.633.1](#) [704.730.1](#) [704.733.0](#) [79452124](#) [84-1221.7](#) [G6083](#)  
[9PA24](#) [120-1867-000](#) [ADC-418G](#) [12MA7](#) [HW1M-L2222](#) [200-.704-00](#) [JS-10008](#) [JS-10083](#) [JS-10118](#) [JS-10133](#) [JS-116](#) [JS-150](#) [JS-552](#) [JS-555](#) [JS-68](#) [JS-6-B](#) [JS-91](#) [JS-94](#) [22-211.011](#) [9001KXSDC](#) [KRR22NW3XX03](#) [SAPT654133](#) [2PA3](#) [STKLBU](#) [STKLWH](#) [SW53AA2](#) [302561](#)  
[3E-10.4](#) [3E-12.0](#) [468-10243-001](#) [51-030.002](#) [51-030.005](#) [JM-13](#) [JS-10120](#) [JS-138-B](#) [JS-143-B](#) [JS-49](#) [JS-551](#)