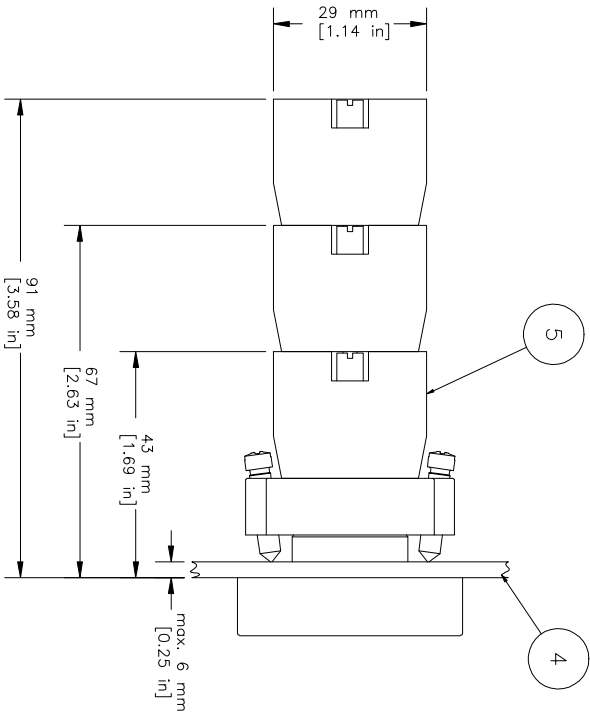
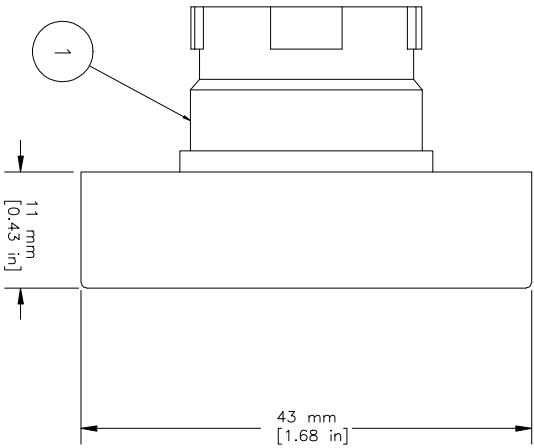
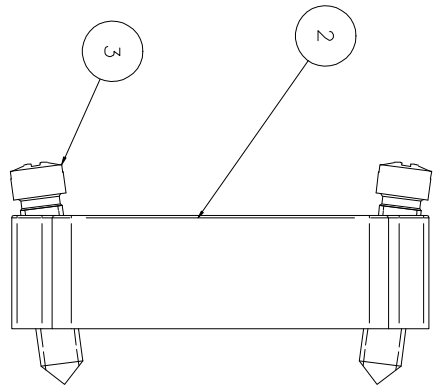
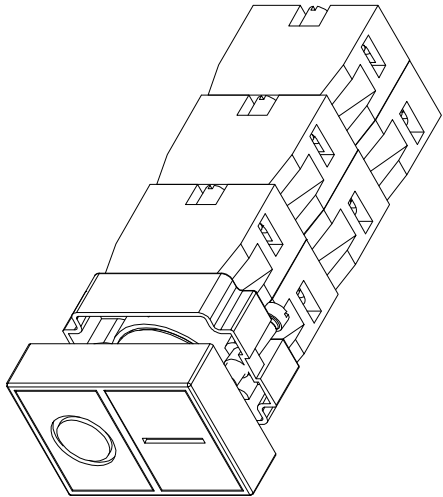


REVISIONS FOR DWG # 1PB-2ATFX-FX-10				
REV	CH. NO.	DESCRIPTION	DATE	REVISED BY
-	-	ORIGINAL DESIGN	10/25/07	Phil E.



ITEM	DESCRIPTION	CAT. NO.	COLOR	MIN. QTY.	MAX. QTY.
1	Twin Touch/ I/O marked, flush (comes with 2BRK)	2ATF3-F4-10 2ATF8-F2-10 2ATF1-F1-10	Green-Red Yellow-Black White-Black	1 1 1	1 1 1
2	Mounting Bracket	2BRK	-	1	1
3	Mounting Bracket Screws	Incl. in 2BRK	-	2	2
4	Panel	-	-	-	-
5	Switch Contacts	S1	Green	1	6
		S2	Red	1	6
		S3	Green/Gray	1	6
		S4	Red/Gray	1	6

UNLESS OTHERWISE SPECIFIED
 • ALL DIMENSIONS ARE IN MILLIMETERS
 • THIRD ANGLE PROJECTION



This Drawing is the property of
Attech Corp.
 35 Royal Road
 Flemington NJ 08822-6000
 (908) 806-9400 • Fax (908) 806-9490

AND IS A CONFIDENTIAL DISCLOSURE
 LENT WITHOUT CONSIDERATION OTHER
 THAN THE BORROWER'S AGREEMENT
 THAT IT SHALL NOT BE REPRODUCED,
 COPIED, LENT, OR DISPOSED OF
 DIRECTLY OR INDIRECTLY NOR USED
 FOR ANY PURPOSE OTHER THAN THAT
 FOR WHICH IT IS SPECIFICALLY
 FURNISHED.

TITLE: 22mm Twin Touch Metal Non-Illuminated Operators Flush 2ATFX-FY-10 (x=color)			
DRAWN BY: Philip Ernstberger	10/25/07	DRAWING NO.:	1PB-2ATFX-FX-10
CHECKED BY: Laszlo Gyorgypal	10/25/07	SCALE:	-
RELEASED BY: Laszlo Gyorgypal	10/25/07	SHEET:	1 OF 1
REV.:			-

TOLERANCE	±1 mm
XX	±0.5 mm
XX.X	±0.2 mm
XX.XX	- mm
ALL	- mm

M-H-R-C

X-ON Electronics

Largest Supplier of Electrical and Electronic Components

Click to view similar products for [Pushbutton Switches](#) category:

Click to view products by [Altech](#) manufacturer:

Other Similar products are found below :

[LW1L-M1C10V-A](#) [LW2L-A1C20M-GD](#) [LW2L-M1C20M-A](#) [60324L](#) [M7E-HRN2](#) [67021K512](#) [67081K512X](#) [701PB580](#) [719-5504-000](#)
[MDPSSGLFS](#) [810KSV30B](#) [FLT 2U EE 01A](#) [MML21KA3ABK](#) [MML23KA3AC05K-001](#) [MML23KW3AA01W](#) [8418K2](#) [8646AB6X718UL](#)
[8646ABUL](#) [FSDWH](#) [9001KXRK](#) [9001T8BK](#) [9533CD4+U574+U4922](#) [1203MRA](#) [A22EM01S](#) [A595](#) [1202A6](#) [12037A2ULCSA](#) [1203A2UL](#)
[ABD122N-B](#) [1211390004](#) [ABN111-Y](#) [ABN400-R](#) [1211500044](#) [1211580012](#) [1212MRA](#) [1232A6NF](#) [RA3CSH6A](#) [1241.1183.7047](#)
[1241.2511](#) [1241.3428](#) [1223A2ULCSA](#) [1223MRA](#) [1232AX2119](#) [1241.1183.8000](#) [1241.1183.8029](#) [1241.2506](#) [1241.2606](#) [12MA6](#)
[1301940184](#) [RELBARF6X10\(PLASTIC\)](#)