

## 2J4701BGF-TH19

GPS/GLONASS Screw Mount

### Key Features

GPS/GLONASS/QZSS/Galileo

- 1575-1606 MHz

Screw Mount

Ground Plane Independent

Pre-Filter

Customizable Cable and Connector

Dimensions Ø 52 × 17.5 mm

Certificates: IP69K



**Note:** 19mm Thread is Default Option. See Drawing for other Thread Options available.



## 1. Antenna and electrical specifications

Passive Parameters	GPS/GLONASS Antenna	
	GPS/QZSS/Galileo	GLONASS
Standards	GPS/QZSS/Galileo	GLONASS
Bands (MHz)	1575	1602
Frequency (MHz)	1575.42	1598-1606
Return Loss (dB)	<=-20	<=-15
VSWR	<=1.2:1dB	<=1.4dB
Efficiency (%)	~65	~68
Peak Gain (dBiC)	~3.6	~3.9
Average Gain (dB)	~1.8	~-1.6
Impedance (Ohm)	50	
Radiation Pattern	Hemispherical	

Active Parameters	GPS/GLONASS Antenna	
	GPS/QZSS/Galileo	GLONASS
Standard	GPS/QZSS/Galileo	GLONASS
Band (MHz)	1575	1602
Frequency(MHz)	1575.42	1598-1606
Patch Size (mm)	25 x 25 x 4	
Return Loss (dB)	<=-15 dB	
VSWR	<=1.4:1 dB	
Impedance	50	
Radiation Pattern	Hemispherical	
Polarization	RHCP	
Saw Filter	pre-filter	
Active Gain (dB)	28 @ 2.7 V	
Noise Figure (dB)	1.8 @ 2.7V	
Voltage (V)	1.5 – 3.6	
Current (mA)	9 @2.7V	
Out of Band Rejection (dB)	~43	
ESD Protection	6	
Connector Type	SMA-Male Standard (Other Connectors Available)	
Cable Length	300 cm Standard (Any Cable Length Available)	
Cable Type	RG174 Standard (Other Cables Available)	

### Antenna Measurement Conditions:

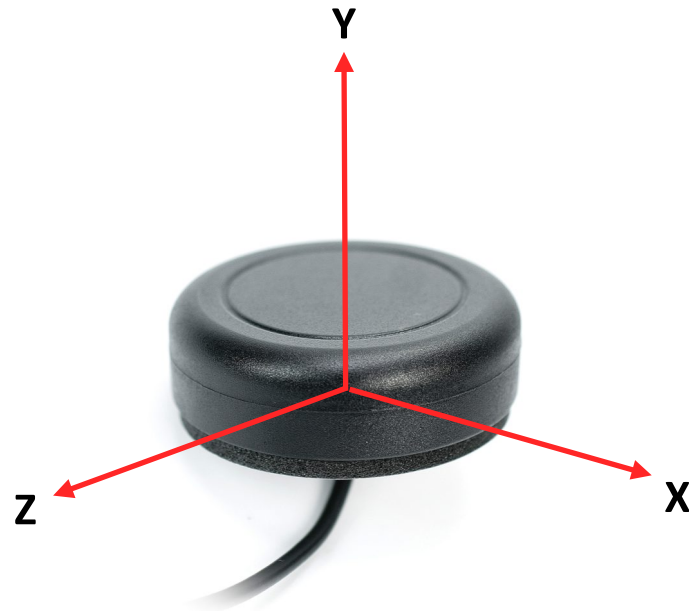
Mounted on 30 x 30 x 0.25 cm ABS Plate

200 cm of Cable RG174

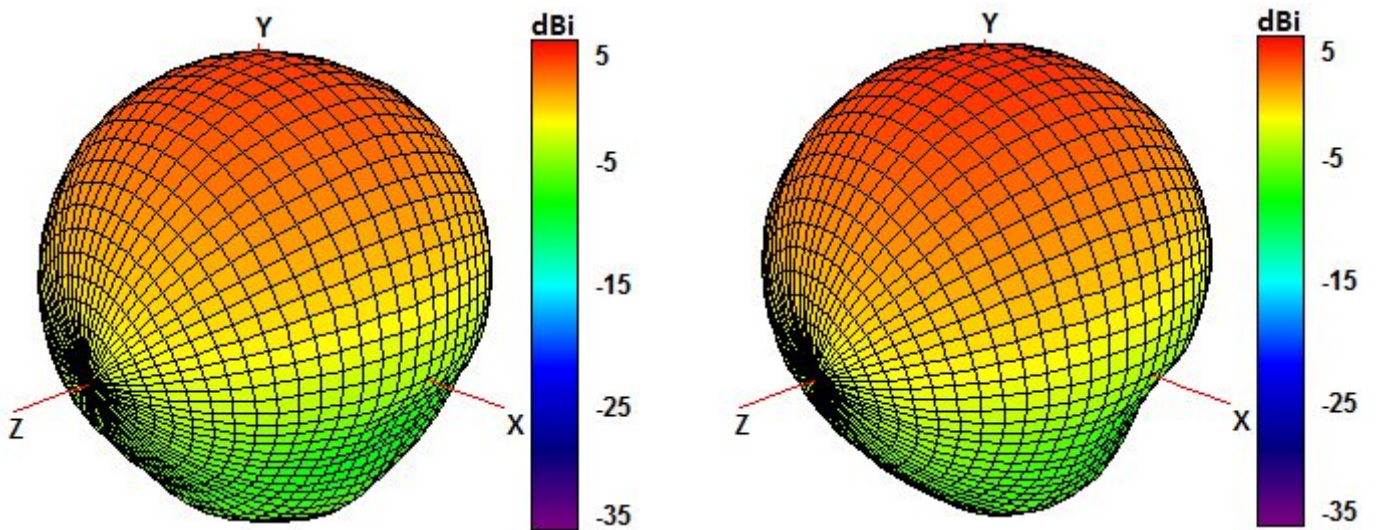
Measured in Certified CTIA 3D Anechoic Chamber

## 2. Mechanical and environmental specifications

Specifications	2J4701BGF-TH19
<b>Mounting Type</b>	Screw Mount
<b>Dimensions (mm)</b>	Ø 52 × 17.5
<b>Random Type</b>	ASA
<b>Random Color</b>	Black
<b>Antenna Base</b>	ASA
<b>Operating Temperature (C)</b>	-40 to +85
<b>Storage Temperature (C)</b>	-40 to +85
<b>Certificates</b>	IP69K
<b>Substance Compliance</b>	RoHS



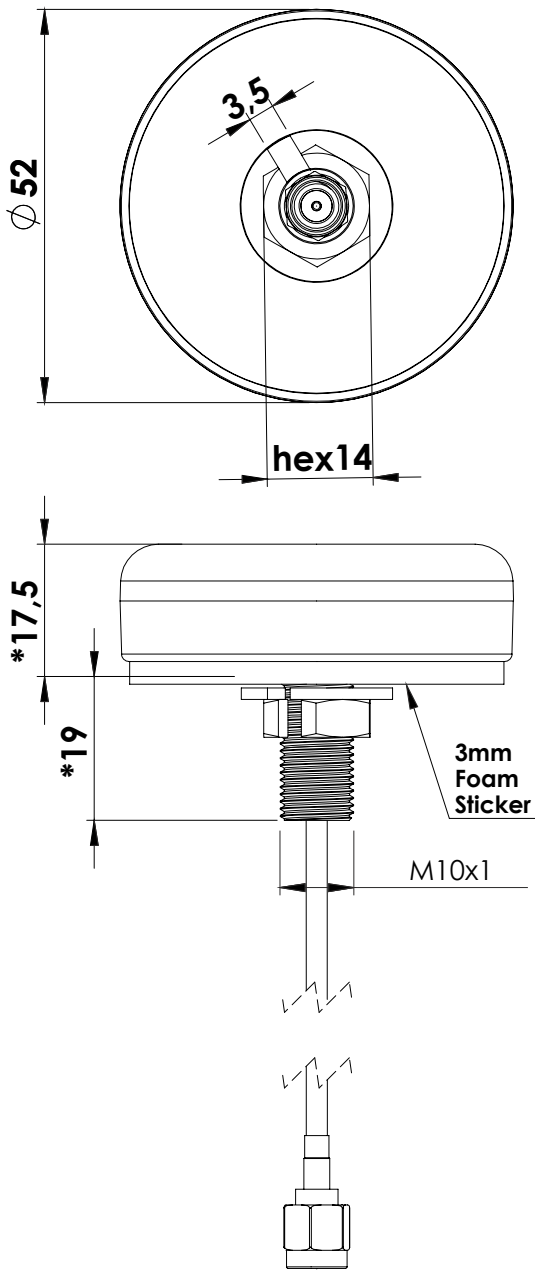
Radiation pattern reference



1575 MHz and 1600 MHz Radiation pattern

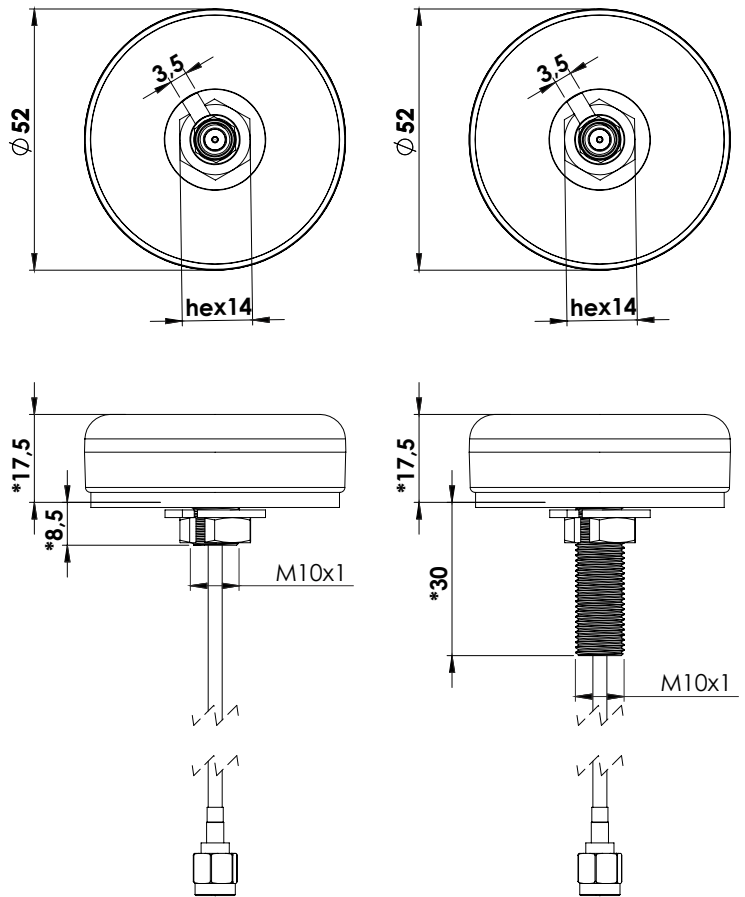
## 4. Antenna drawings

### Default Thread Option



**2J4701BGF-TH19**  
19 mm Thread  
Default Option

### Other Thread Options available



**2J4701BGF-TH8,5**  
8,5 mm Thread

**2J4701BGF-TH30**  
30 mm Thread

**\*Dimensions after mounting**

## 5. Antenna Images



## X-ON Electronics

Largest Supplier of Electrical and Electronic Components

*Click to view similar products for [Antennas](#) category:*

*Click to view products by [2J](#) manufacturer:*

Other Similar products are found below :

[930-033-R](#) [EXE902SM](#) [APAMPG-117](#) [66089-2406](#) [A09-F8NF-M](#) [A09-F5NF-M](#) [RGFRA1903041A1T](#) [108-00016-050](#) [W3525BW100](#)  
[SIMNA-868](#) [SIMNA-915](#) [SIMNA-433](#) [W1049B090](#) [TRABT1560](#) [WTL2449CQ1-FRSMM](#) [CPL9C](#) [0600-00060](#) [Y4503](#) [PAL90209H-FNF](#)  
[GD53-25](#) [C37](#) [MAF94051](#) [S9025PLSMF](#) [EXD420PL](#) [QWFTB120](#) [MAF94300](#) [FG4403](#) [MIKROE-2393](#) [GPSCPMM00](#) [ANTDOM-05-01-](#)  
[WPM](#) [ANT-WP868SMA-Y](#) [EXW30BNX](#) [RAD-ISM-2459-ANT-FOOD-6-0-](#) [S4908WBFNM](#) [GD57-21](#) [108-20131-010](#) [108-00032-010](#)  
[C27S](#) [CBNC58](#) [EXH160MXI](#) [EXH160SFK](#) [MD10-004](#) [EXC902SM](#) [CB27](#) [ABFT](#) [BB4502NR](#) [B4502N](#) [S4908WBFNF](#) [ANT-](#)  
[GSMGPSPUKS](#) [60210](#)