

## 2J4D01MPCF

### GPS/GLONASS Magnetic/Adhesive Mount

#### Key Features

GPS/GLONASS/BeiDou/QZSS/Galileo

- 1561-1606 MHz

Magnetic/Adhesive Mount

Pre-Filter

Voltage 1.5 - 3.6 V

Ground Plane Independent

Customizable Cable and Connector

Dimensions 41 x 34 x 13.5/14.5 mm

Certificate IP67



Note: **See other Gain / Filter options available:**

**2J4D01MPCFz** 28 dB Active Gain / Mid-Filter

**2J4D01MPCFy** 14 dB Active Gain / Pre-Filter



## 1. Antenna and electrical specifications

Parameters	GPS/GLONASS Antenna		
	BeiDou	GPS/QZSS/Galileo	GLONASS
<b>Standard</b>			
<b>Band (MHz)</b>	1561	1575	1602
<b>Frequency(MHz)</b>	1561.098	1575.42	1598-1606
<b>Patch Size (mm)</b>		25 x 25 x 4	
<b>Return Loss (dB)</b>		<=-15.0 dB	
<b>VSWR</b>		<=1.4:1 dB	
<b>Impedance</b>		50	
<b>Radiation Pattern</b>		Hemispherical	
<b>Polarization</b>		RHCP	
<b>Saw Filter</b>		Pre-Filter	
<b>Active Gain (dB)</b>		28 @ 2.7 V	
<b>Noise Figure (dB)</b>		1.5 Typ	
<b>Voltage (V)</b>		1.5 – 3.6	
<b>Current (mA)</b>		9 Typ	
<b>Power Consumption (mW)</b>		24.3 Typ	
<b>ESD Protection</b>		2 kV	
<b>Connector Type</b>	SMA-Male Standard (Other Connectors Available)		
<b>Cable Length</b>	300 cm Standard (Any Cable Length Available)		
<b>Cable Type</b>	RG174 Standard (Other Cables Available)		

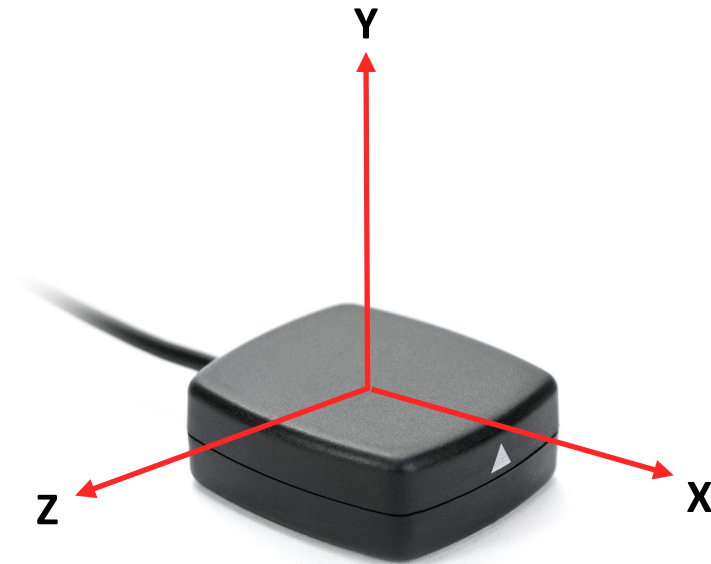
**Note:** See other Gain / Filter options available:

**2J4D01MPCFz** 28 dB Active Gain / Mid-Filter

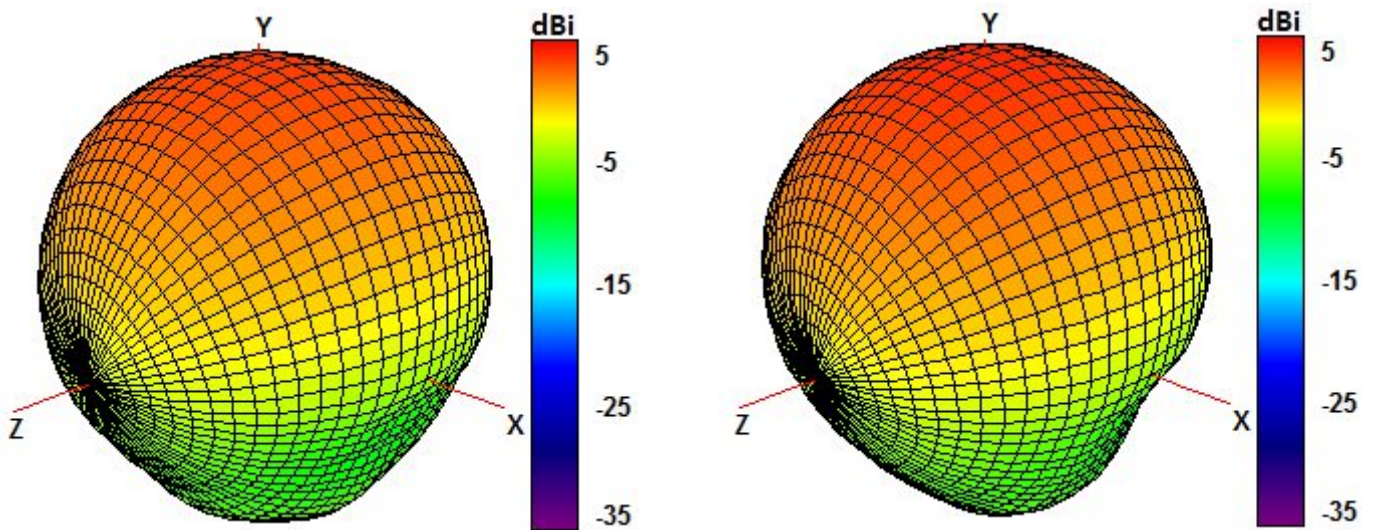
**2J4D01MPCFy** 14 dB Active Gain / Pre-Filter

## 2. Mechanical and environmental specifications

Specifications	2J4D01MPCF
<b>Mounting Type</b>	Magnetic/Adhesive Mount
<b>Dimensions (mm)</b>	41 x 34 x 13.5/14.5
<b>Radome Type</b>	ABS
<b>Radome Color</b>	Black
<b>Antenna Base</b>	ABS
<b>Operating Temperature (C)</b>	-40 to +85
<b>Storage Temperature (C)</b>	-40 to +85
<b>Certificate</b>	IP67
<b>Substance Compliance</b>	RoHS

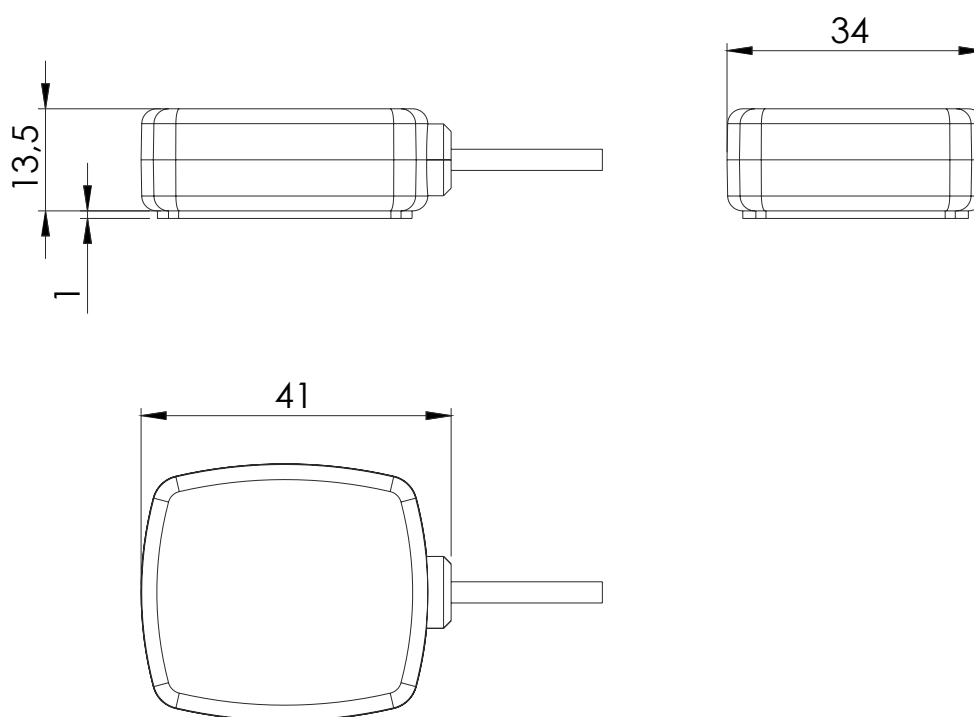


Radiation pattern reference



1575 MHz and 1600 MHz Radiation pattern

### 3. Antenna drawings



## 4. Antenna Images



## X-ON Electronics

Largest Supplier of Electrical and Electronic Components

*Click to view similar products for [Antennas](#) category:*

*Click to view products by [2J](#) manufacturer:*

Other Similar products are found below :

[930-033-R](#) [EXE902SM](#) [APAMPG-117](#) [66089-2406](#) [A09-F8NF-M](#) [A09-F5NF-M](#) [RGFRA1903041A1T](#) [108-00016-050](#) [W3525BW100](#)  
[SIMNA-868](#) [SIMNA-915](#) [SIMNA-433](#) [W1049B090](#) [TRABT1560](#) [WTL2449CQ1-FRSMM](#) [CPL9C](#) [0600-00060](#) [Y4503](#) [PAL90209H-FNF](#)  
[GD53-25](#) [C37](#) [MAF94051](#) [S9025PLSMF](#) [EXD420PL](#) [QWFTB120](#) [MAF94300](#) [FG4403](#) [MIKROE-2393](#) [GPSCPMM00](#) [ANTDOM-05-01-](#)  
[WPM](#) [ANT-WP868SMA-Y](#) [EXW30BNX](#) [RAD-ISM-2459-ANT-FOOD-6-0-](#) [S4908WBFNM](#) [GD57-21](#) [108-20131-010](#) [108-00032-010](#)  
[C27S](#) [CBNC58](#) [EXH160MXI](#) [EXH160SFK](#) [MD10-004](#) [EXC902SM](#) [CB27](#) [ABFT](#) [BB4502NR](#) [B4502N](#) [S4908WBFNF](#) [ANT-](#)  
[GSMGPSPUKS](#) [60210](#)