

2JF0301P

GNSS Flexible Polymer

Key Features

GPS/GLONASS/BeiDou/QZSS/Galileo

- 1561-1606 MHz

Self-Adhesive

High Performance

Ground Plane Independent

Cable Detuning Resistance

Customizable Cable and Connector

Dimensions 55.4 × 12.4 × 0.2 mm



1. Antenna and electrical specifications

Parameters	GNSS Antenna		
	BeiDou	GPS/QZSS/Galileo	GLONASS
Standards			
Bands (MHz)	1561	1575	1602
Frequency (MHz)	1561.098	1575.42	1598-1606
Return Loss (dB)	~-15.6	~-16.4	~-12.7
VSWR	~1.38:1	~1.37:1	~1.57:1
Efficiency (%)	~75.0	~76.0	~75.0
Peak Gain (dBi)	~-3.7	~-3.9	~-4.0
Average Gain (dB)	~-1.3	~-1.25	~-1.3
Impedance (Ohms)	50		
Radiation Pattern	Omni-Directional		
Polarization	Linear		
Max Input Power (W)	25		
Connector Type	U.FL Standard (Other Connectors Available)		
Cable Length	100mm Standard (Any Cable Length Available)		
Cable Type	1.37mm Mini-Coax Standard (Other Cables Available)		

Antenna Measurement Conditions:

Mounted on 30 x 30 x 0.25 cm ABS Plate

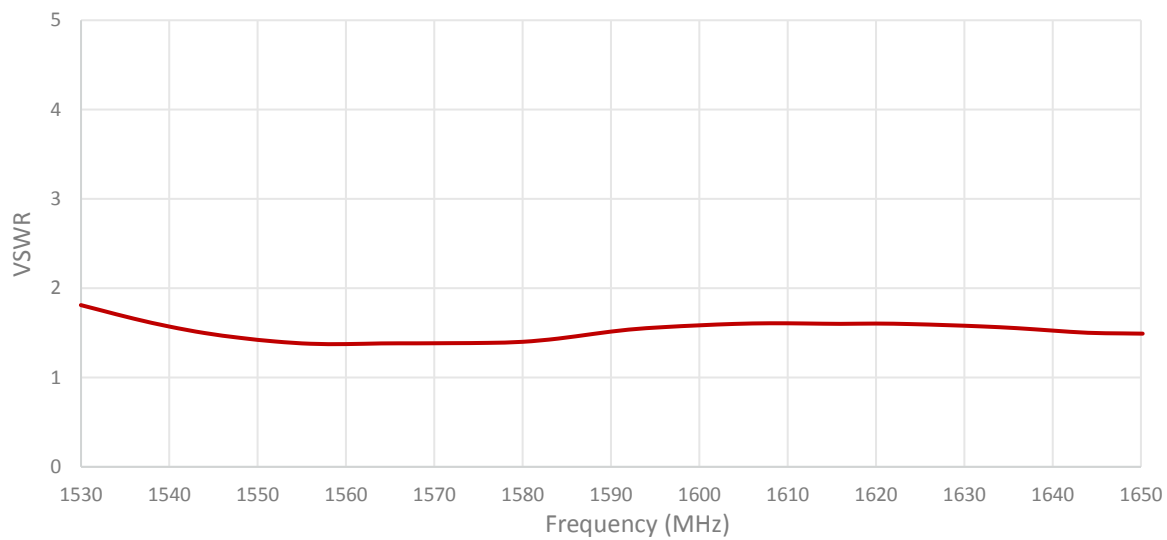
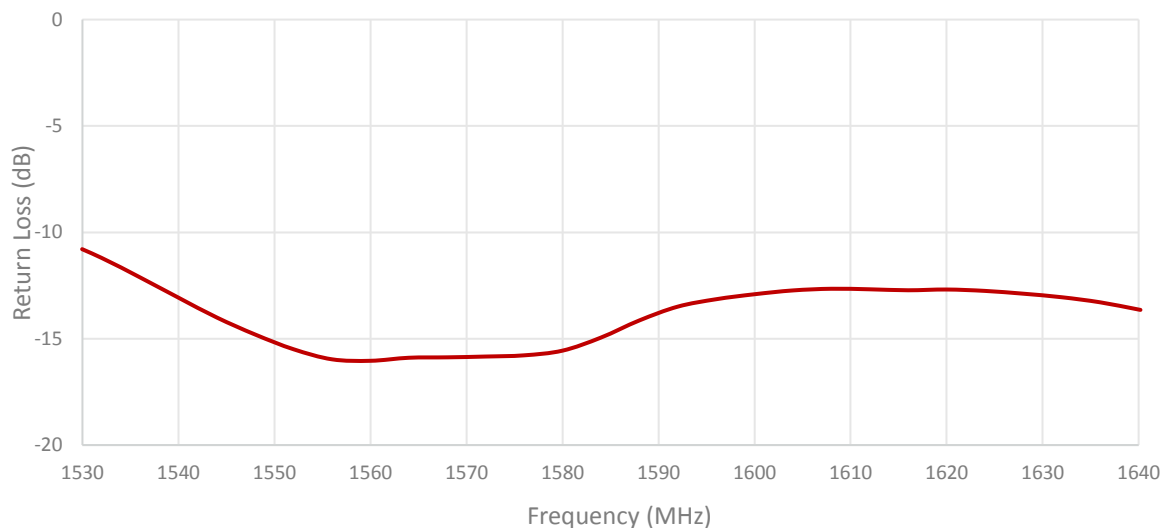
100mm of 1.37mm Mini-Coax Cable

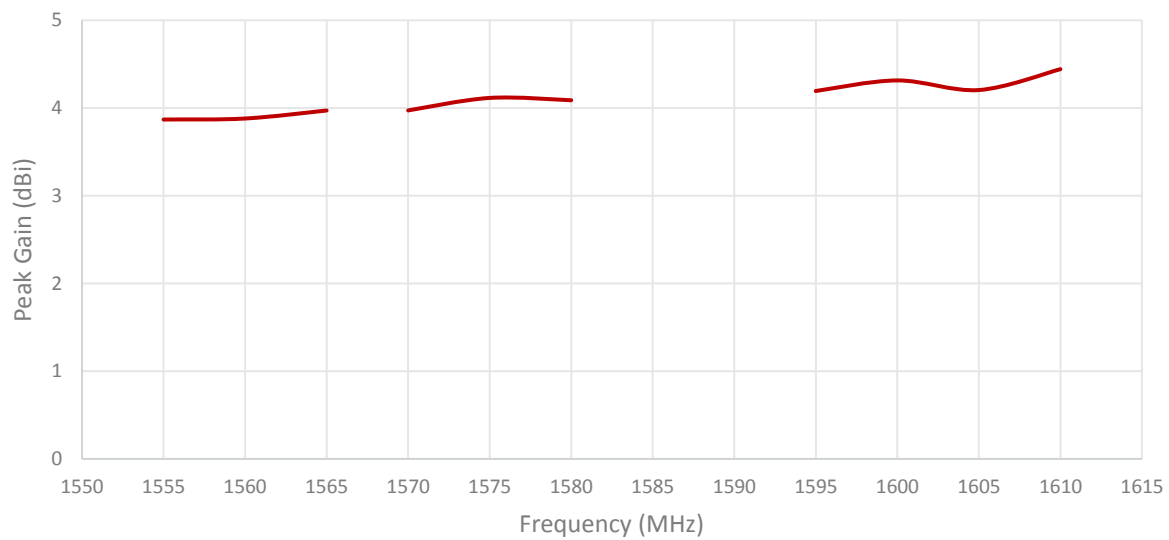
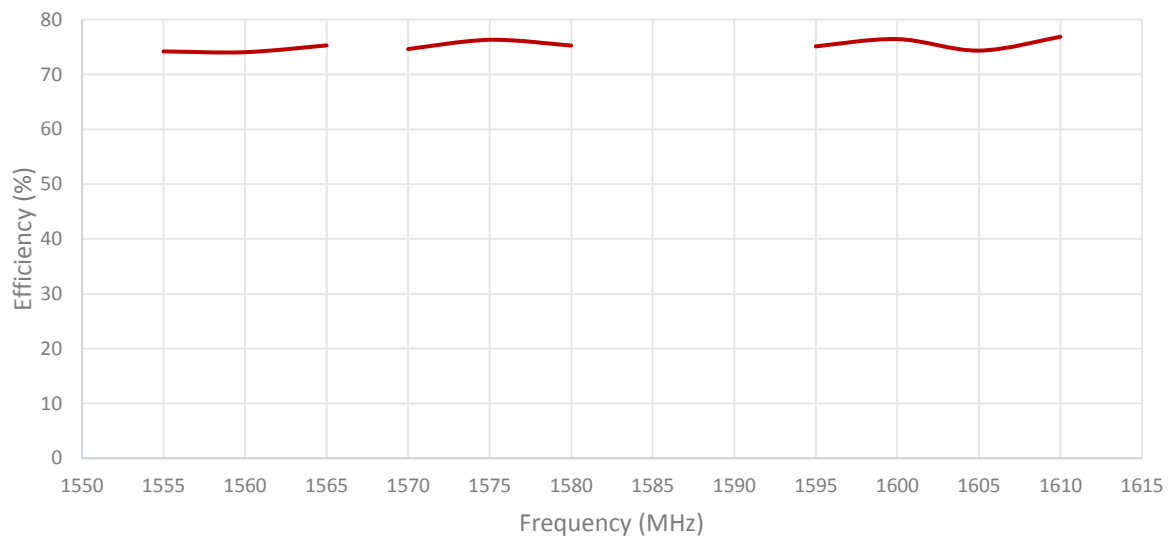
Measured in Certified CTIA 3D Anechoic Chamber

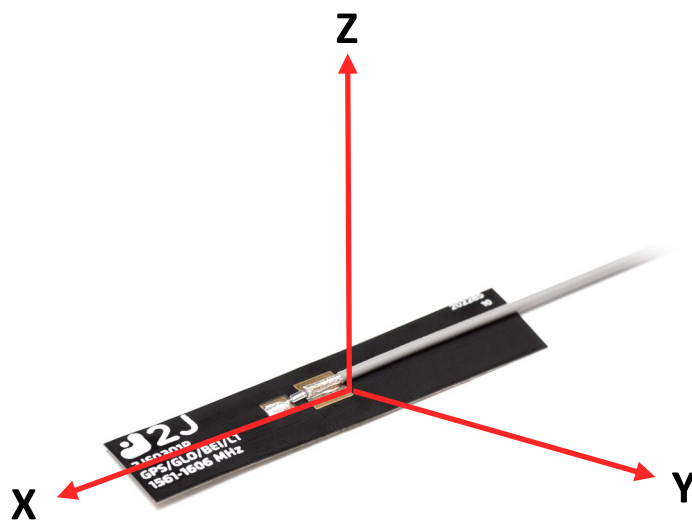
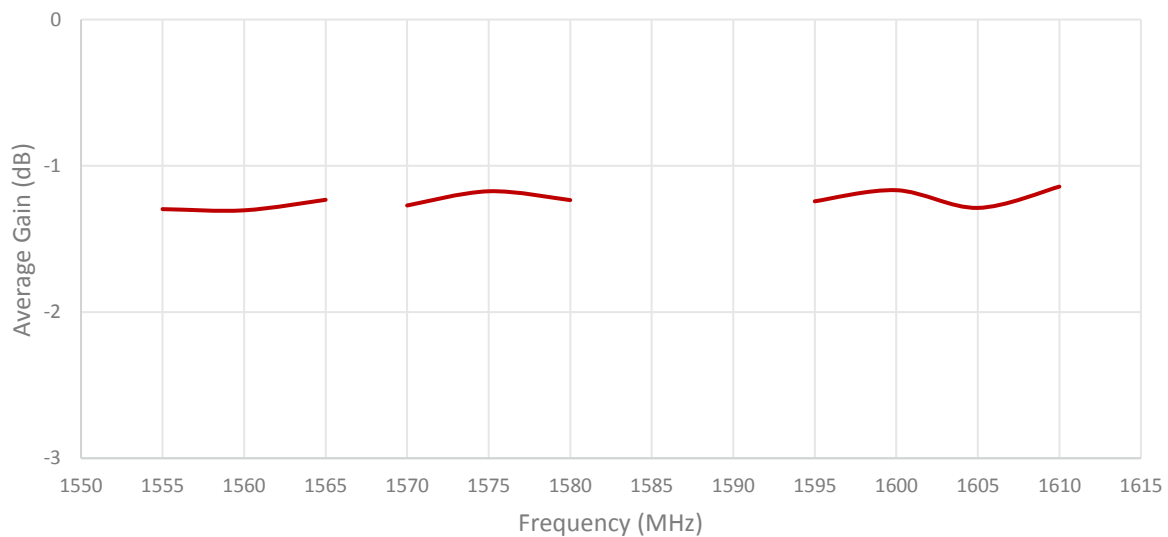
2. Mechanical and environmental specifications

Specifications	2JF0301P
Mounting Type	Self-Adhesive
Adhesive	3M 467
Dimensions (mm)	55.4 × 12.4 × 0.2
Material	Flexible Polymer
Operating Temperature (C)	-40 to +85
Storage Temperature (C)	-40 to +85
Substance Compliance	RoHS

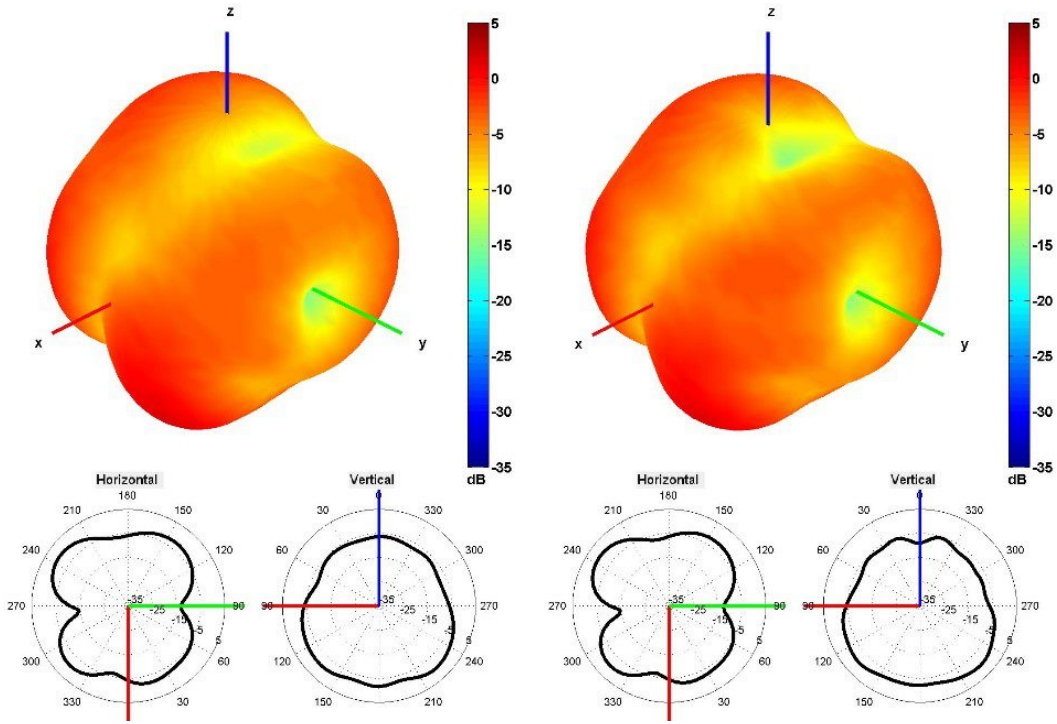
3. Antenna parameters



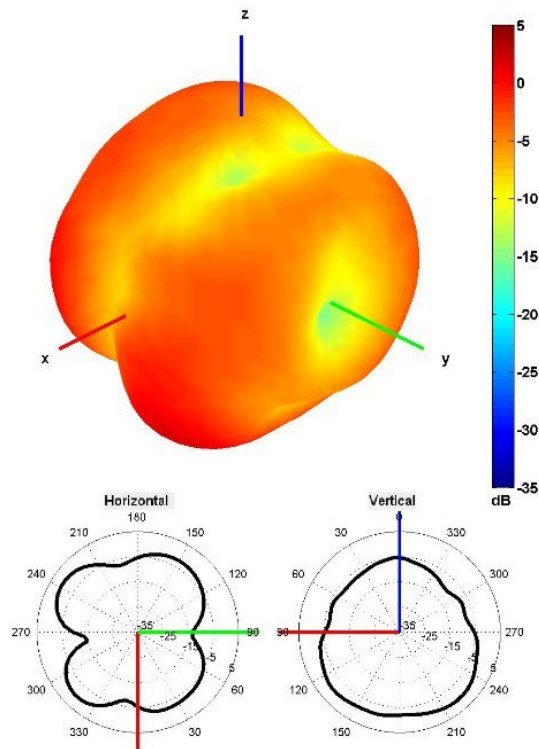




Radiation pattern reference

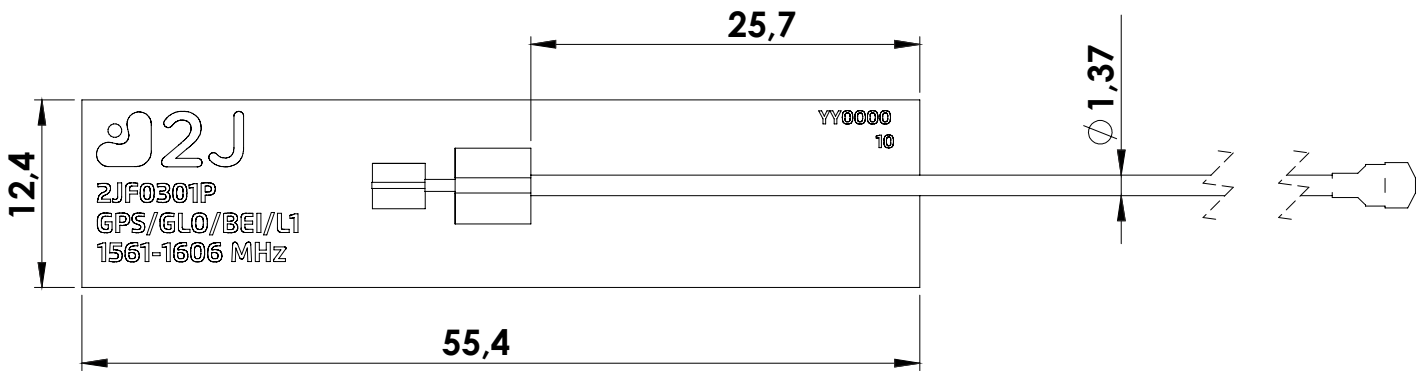
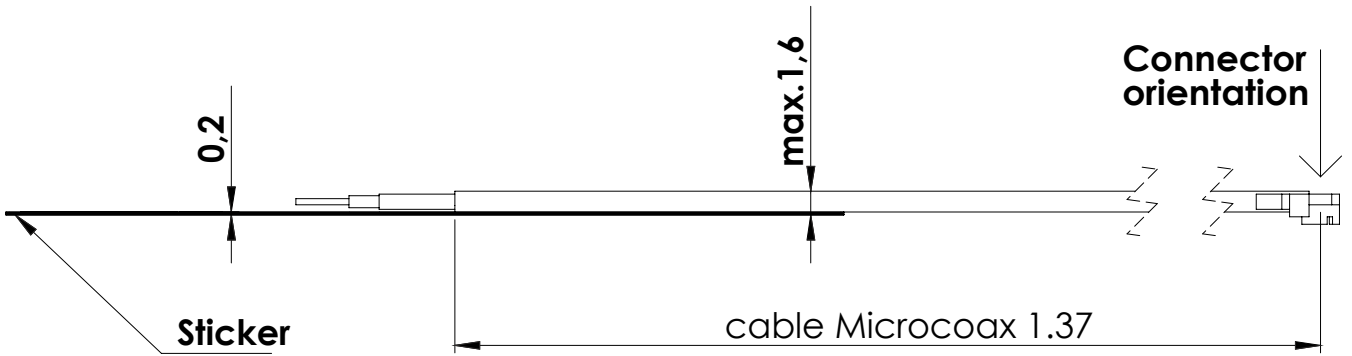


1561 and 1575 MHz Radiation pattern



1602 MHz Radiation pattern

4. Antenna drawings



5. Antenna Images



X-ON Electronics

Largest Supplier of Electrical and Electronic Components

Click to view similar products for [Antennas](#) category:

Click to view products by [2J](#) manufacturer:

Other Similar products are found below :

[930-033-R](#) [EXE902SM](#) [APAMPG-117](#) [66089-2406](#) [A09-F8NF-M](#) [A09-F5NF-M](#) [RGFRA1903041A1T](#) [108-00016-050](#) [W3525BW100](#)
[SIMNA-868](#) [SIMNA-915](#) [SIMNA-433](#) [W1049B090](#) [TRABT1560](#) [WTL2449CQ1-FRSMM](#) [CPL9C](#) [0600-00060](#) [Y4503](#) [PAL90209H-FNF](#)
[GD53-25](#) [C37](#) [MAF94051](#) [S9025PLSMF](#) [EXD420PL](#) [QWFTB120](#) [MAF94300](#) [FG4403](#) [MIKROE-2393](#) [GPSCPMM00](#) [ANTDOM-05-01-](#)
[WPM](#) [ANT-WP868SMA-Y](#) [EXW30BNX](#) [RAD-ISM-2459-ANT-FOOD-6-0-](#) [S4908WBFNM](#) [GD57-21](#) [108-20131-010](#) [108-00032-010](#)
[C27S](#) [CBNC58](#) [EXH160MXI](#) [EXH160SFK](#) [MD10-004](#) [EXC902SM](#) [CB27](#) [ABFT](#) [BB4502NR](#) [B4502N](#) [S4908WBFNF](#) [ANT-](#)
[GSMGPSPUKS](#) [60210](#)