

2JW1102-C943B

2.4/5.0/6.0 GHZ ISM Connector Mount

Key Features

2.4/5.0/6.0 GHz ISM

- 2410-2490 MHz
- 4920-7125 MHz

Connector Mount

Wifi 6E Antenna

High Gain

High Throughputs

Low Latency

Ground Plane Independent

Hinged Connector

Dimensions 135 × 19 × 10 mm



1. Antenna and electrical specifications

Parameters	2.4/5.0/6.0 GHz ISM Antenna		
Standards	WiFi 6E, BT, ZigBee, ISM, SigFox, LoRa		
Band (MHz)	2.4 GHz	5.0 GHz	6.0 GHz
Frequency (MHz)	2410-2490	4920-5925	5925-7125
Return Loss (dB)	~-17.1	~-12.3	~-9.9
VSWR	~1.4:1	~1.7:1	~2.0:1
Efficiency (%)	~75.8	~84.5	~73.0
Peak Gain (dBi)	~-4.1	~-3.9	~-2.8
Average Gain (dB)	~-1.2	~-0.7	~-1.4
Impedance (Ohm)	50		
Polarisation	Linear		
Radiation Pattern	Omni-Directional		
Max. Input Power (W)	25		
Connector Type	RP-SMA-Male Standard (Other Connectors Available)		

Antenna Measurement Conditions:

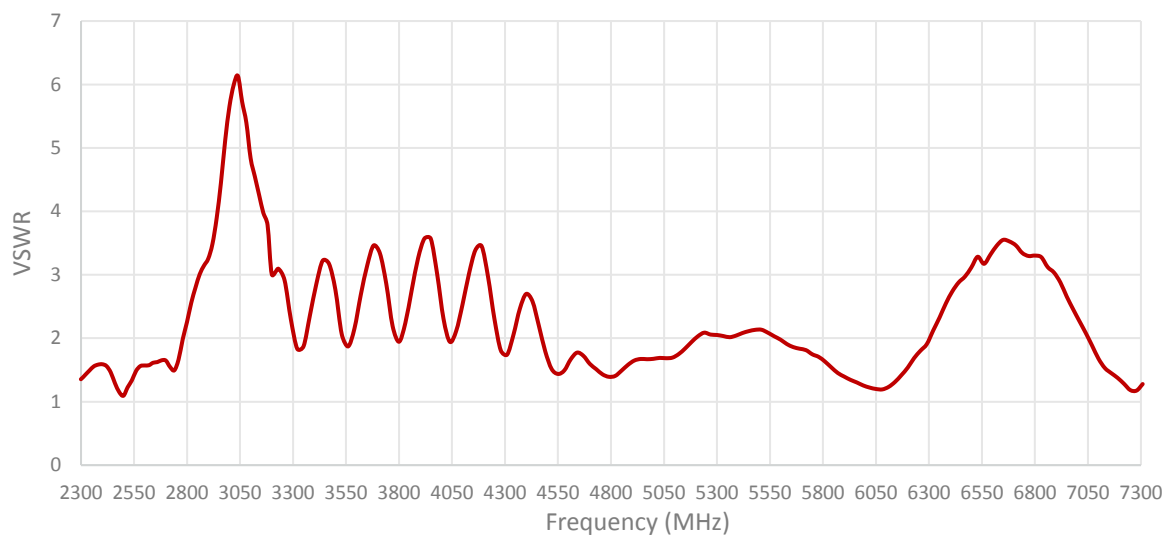
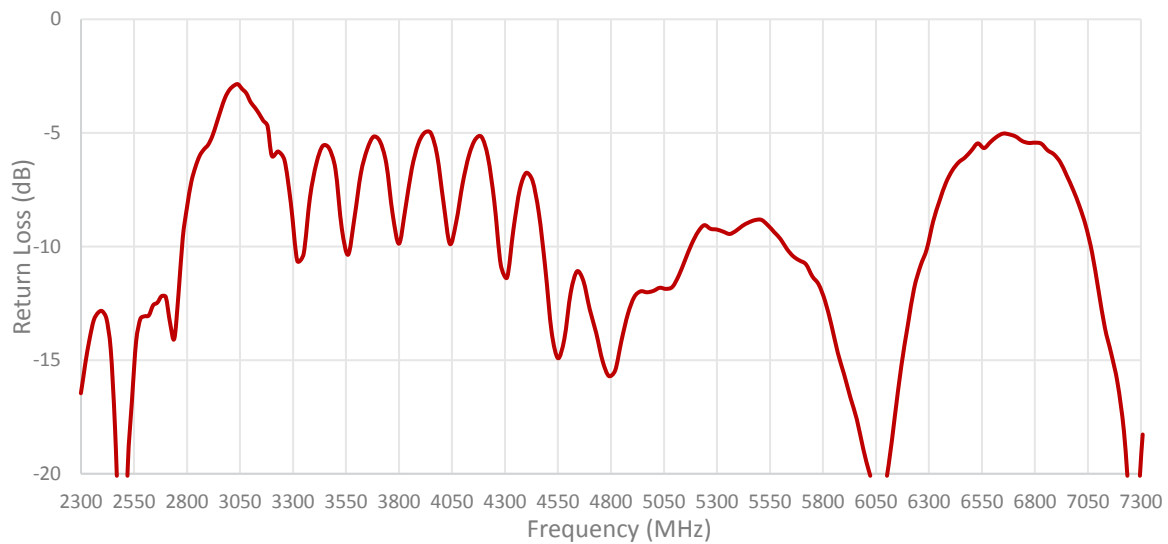
Free Space

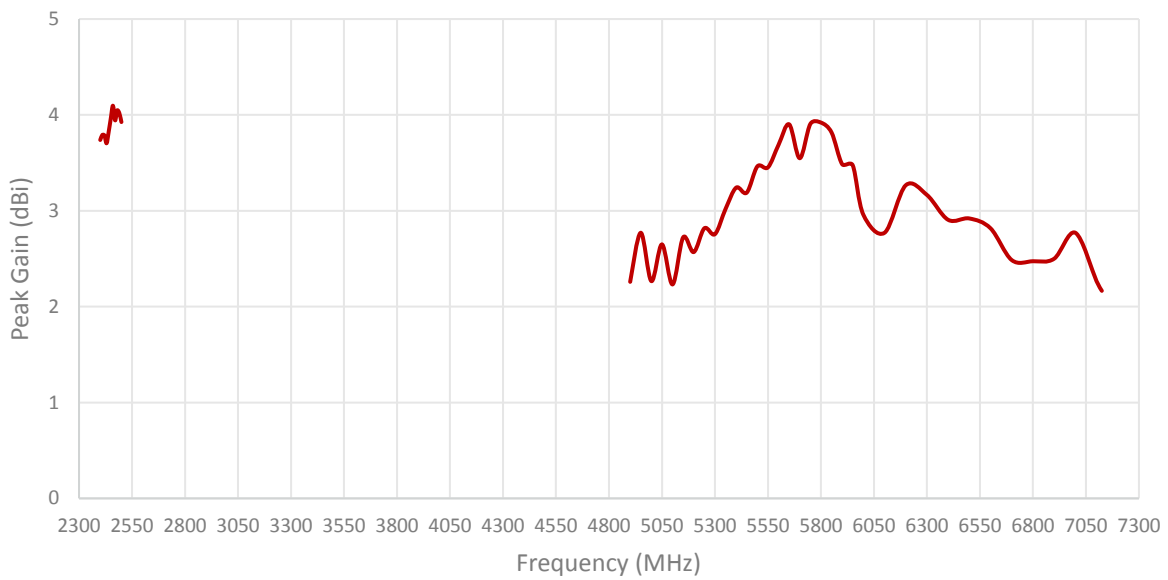
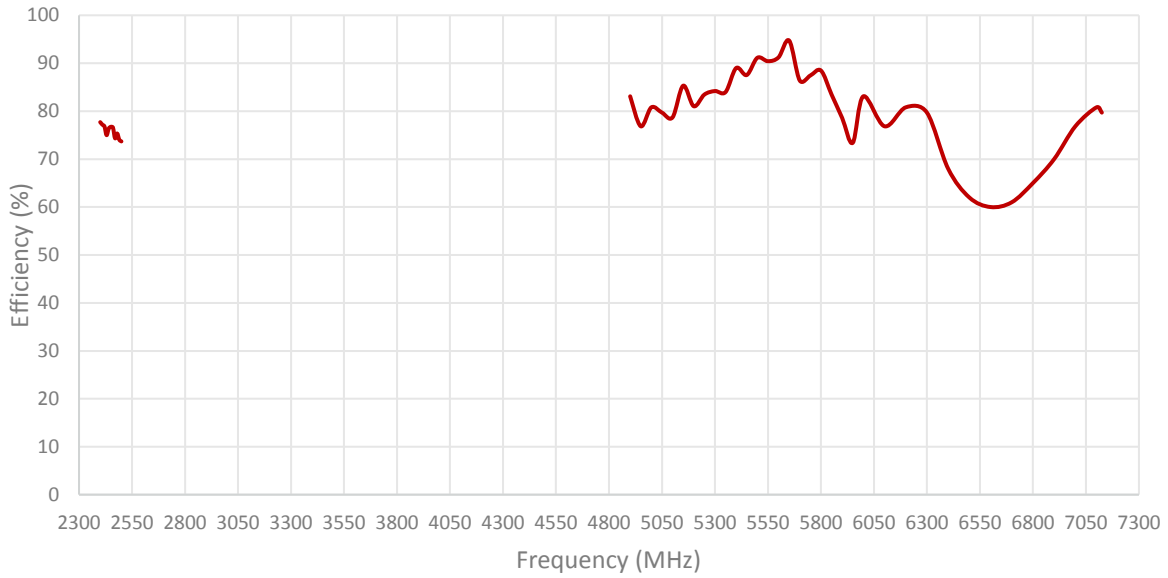
Measured in Certified CTIA 3D Anechoic Chamber

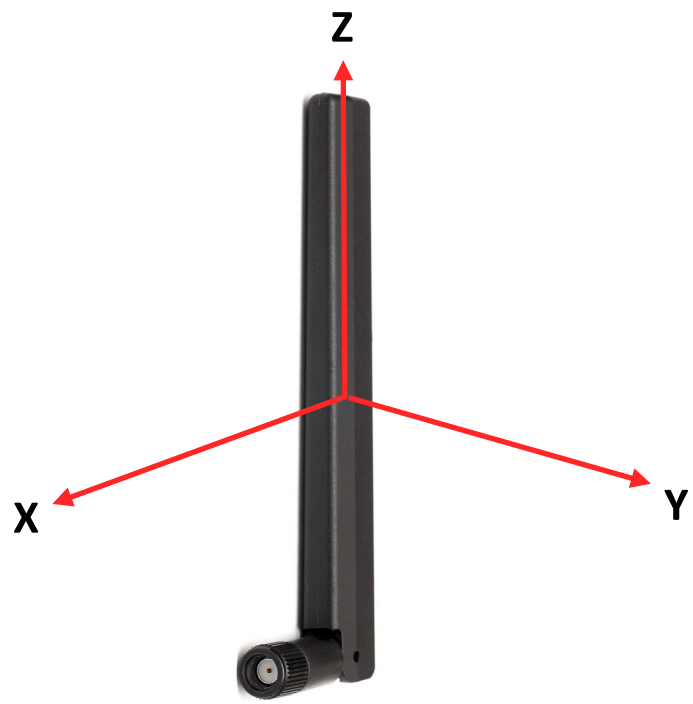
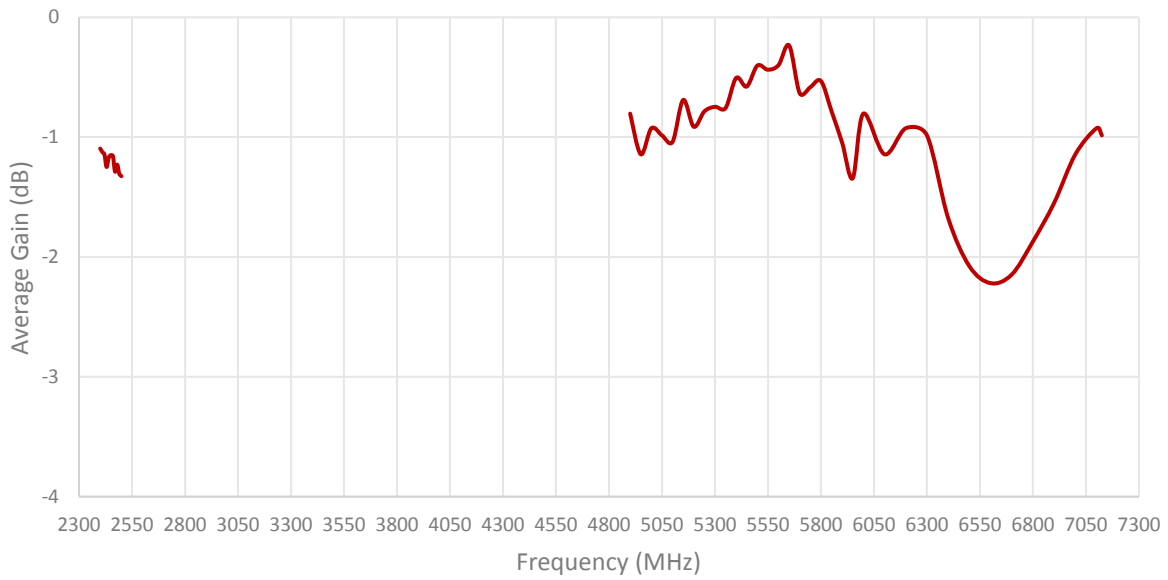
2. Mechanical and environmental specifications

Specifications	2JW1102-C943B
Mounting Type	Connector Mount
Dimensions (mm)	135 × 19 × 10
Radome	ABS UV Stable
Radome color	Black
Connector Feature	Hinged
Operating Temperature (C)	-40 to +85
Storage Temperature (C)	-40 to +85
Substance Compliance	RoHS

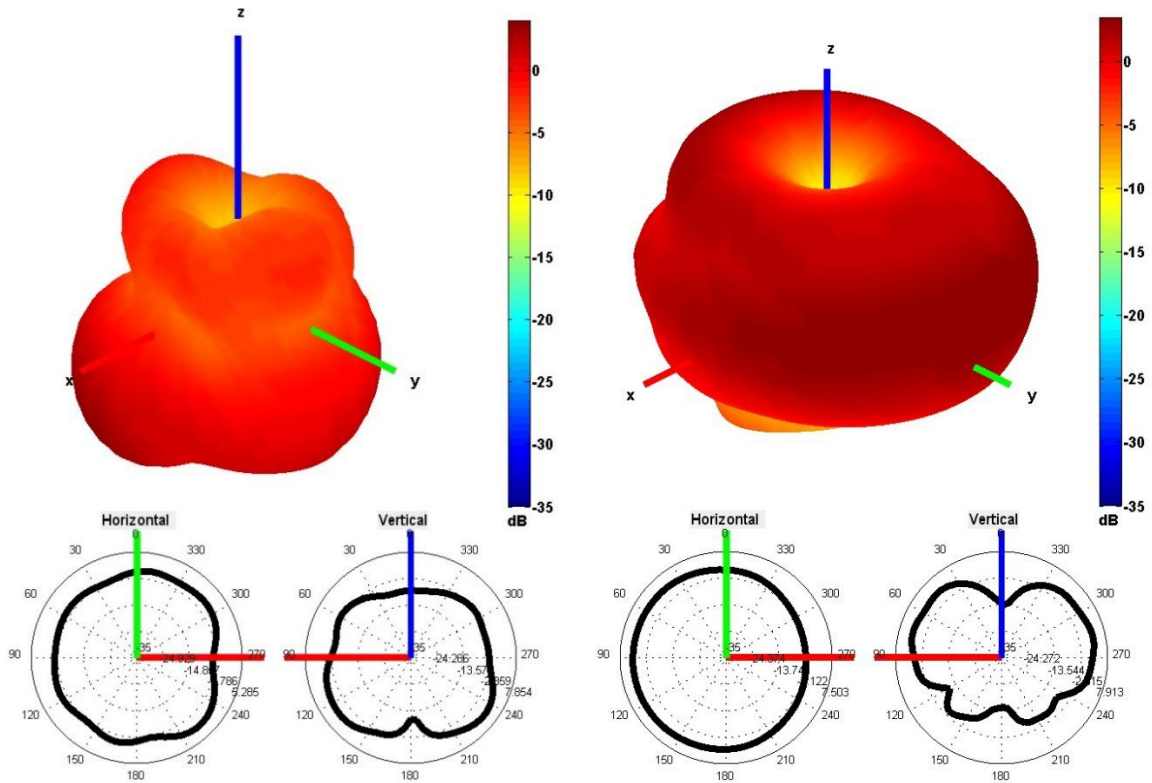
3. Antenna parameters



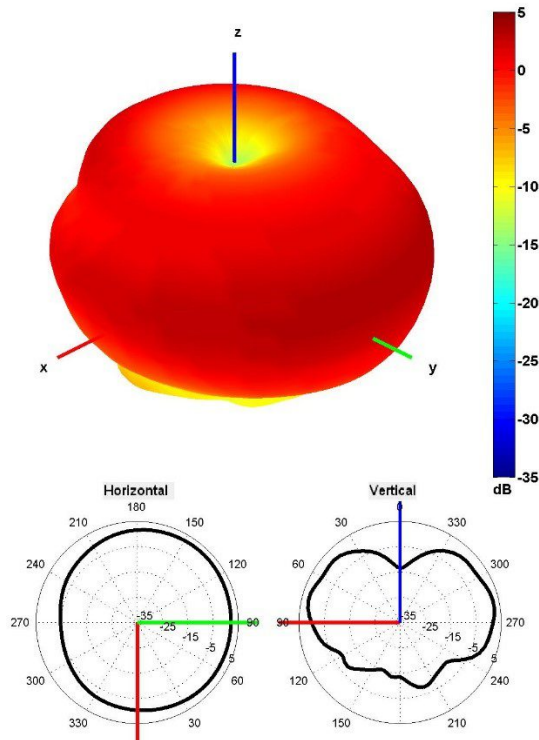




Radiation pattern reference



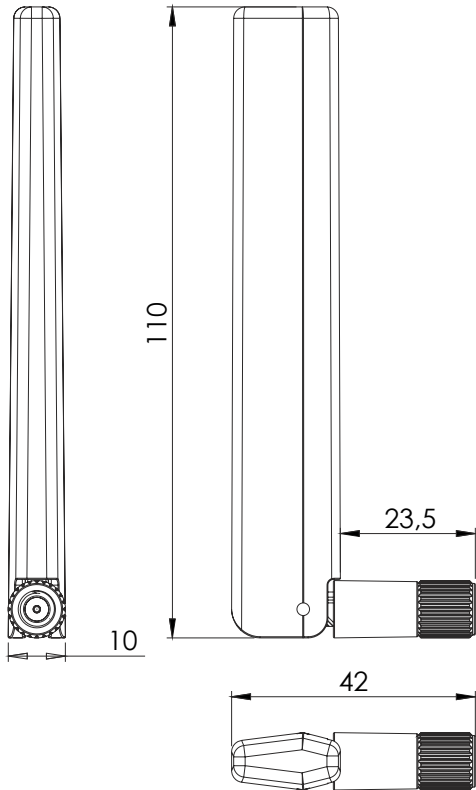
2450 and 5500 MHz Radiation pattern



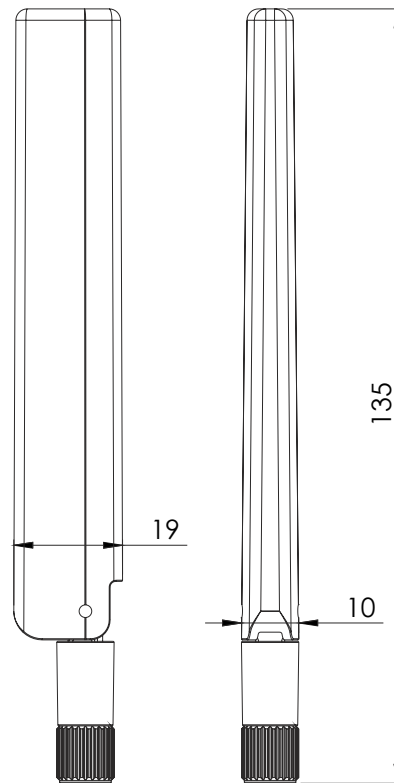
6500 MHz Radiation pattern

4. Antenna drawings

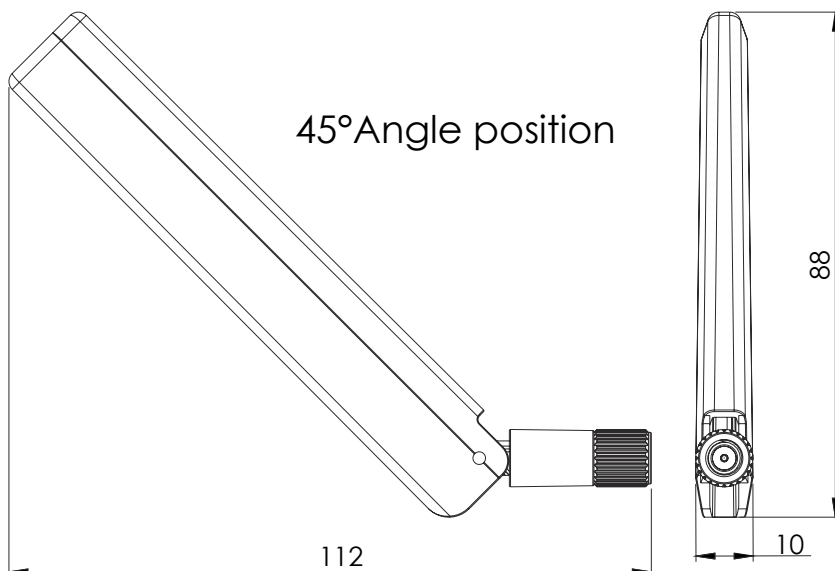
Right Angle position



Straight position



45° Angle position



5. Antenna Images



X-ON Electronics

Largest Supplier of Electrical and Electronic Components

Click to view similar products for [Antennas](#) category:

Click to view products by [2J](#) manufacturer:

Other Similar products are found below :

[930-033-R](#) [EXE902SM](#) [APAMPG-117](#) [66089-2406](#) [A09-F8NF-M](#) [A09-F5NF-M](#) [RGFRA1903041A1T](#) [108-00016-050](#) [W3525BW100](#)
[SIMNA-868](#) [SIMNA-915](#) [SIMNA-433](#) [W1049B090](#) [TRABT1560](#) [WTL2449CQ1-FRSMM](#) [CPL9C](#) [0600-00060](#) [Y4503](#) [PAL90209H-FNF](#)
[GD53-25](#) [C37](#) [MAF94051](#) [S9025PLSMF](#) [EXD420PL](#) [QWFTB120](#) [MAF94300](#) [FG4403](#) [MIKROE-2393](#) [GPSCPMM00](#) [ANTDOM-05-01-](#)
[WPM](#) [ANT-WP868SMA-Y](#) [EXW30BNX](#) [RAD-ISM-2459-ANT-FOOD-6-0-](#) [S4908WBFNM](#) [GD57-21](#) [108-20131-010](#) [108-00032-010](#)
[C27S](#) [CBNC58](#) [EXH160MXI](#) [EXH160SFK](#) [MD10-004](#) [EXC902SM](#) [CB27](#) [ABFT](#) [BB4502NR](#) [B4502N](#) [S4908WBFNF](#) [ANT-](#)
[GSMGPSPUKS](#) [60210](#)