



## Data Sheet

## $\pi$ 120M/ $\pi$ 121M/ $\pi$ 122M

### FEATURES

Ultra low power consumption (1Mbps):

0.58mA/Channel

High data rate:  $\pi$ 12xAxx: 600Mbps

$\pi$ 12xExx: 200Mbps

$\pi$ 12xMxx: 10Mbps

$\pi$ 12xUxx: 150kbps

High common-mode transient immunity: 75 kV/ $\mu$ s typical

High robustness to radiated and conducted noise

Low propagation delay:

8 ns typical for 5 V operation

9 ns typical for 3.3 V operation

Isolation voltages:

$\pi$ 12xx3x: AC 3000Vrms

$\pi$ 12xx6x: AC 6000Vrms

High ESD rating:

ESDA/JEDEC JS-001-2017

Human body model (HBM)  $\pm$ 8kV, all pins

Safety and regulatory approvals (Pending):

UL certificate number: E494497

3000Vrms/6000Vrms for 1 minute per UL 1577

CSA Component Acceptance Notice 5A

VDE certificate number: 40047929

DIN V VDE V 0884-10 (VDE V 0884-10):2006-12

$V_{IORM} = 707V$  peak/1200V peak

CQC certification per GB4943.1-2011

3 V to 5.5 V level translation

Wide temperature range:  $-40^{\circ}C$  to  $125^{\circ}C$

8/16-lead, RoHS-compliant, (W)SOIC package

### APPLICATIONS

General-purpose multichannel isolation

Industrial field bus isolation

### GENERAL DESCRIPTION

The  $\pi$ 1xxxx is a 2PaiSemi digital isolators product family that includes over hundreds of digital isolator products. By using matured standard semiconductor CMOS technology and 2PaiSEMI *iDivider* technology, these isolation components provide outstanding performance characteristics and reliability superior to alternatives such as optocoupler devices and other integrated isolators.

Intelligent voltage divider technology (*iDivider* technology) is a new generation digital isolator technology invented by 2PaiSEMI. It uses the principle of capacitor voltage divider to transmit voltage signal directly cross the isolator capacitor without signal modulation and demodulation.

The  $\pi$ 1xxxx isolator data channels are independent and are available in a variety of configurations with a withstand voltage rating of 1.5 kV rms to 6.0 kV rms and the data rate from DC up to 600Mbps (see the Ordering Guide). The devices operate with the supply voltage on either side ranging from 3.0 V to 5.5 V, providing compatibility with lower voltage systems as well as enabling voltage translation functionality across the isolation barrier. The fail-safe state is available in which the outputs transition to a preset state when the input power supply is not applied.

### FUNCTIONAL BLOCK DIAGRAMS

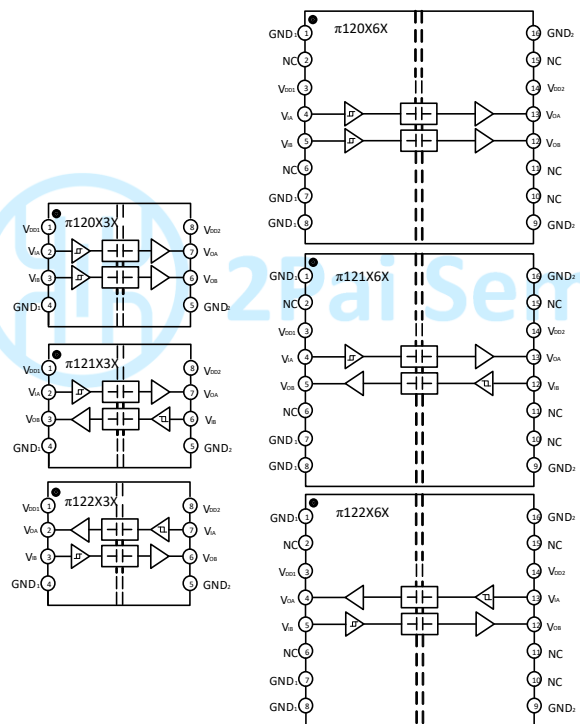


Figure1.  $\pi$ 120xxx/ $\pi$ 121xxx/ $\pi$ 122xxx functional Block Diagram

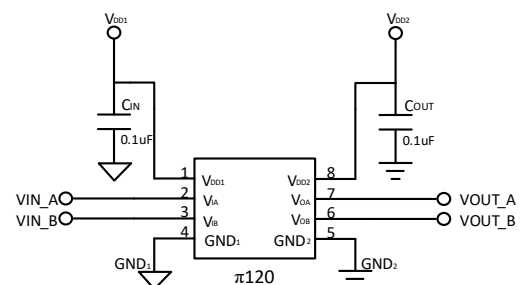


Figure2.  $\pi$ 120xxx Typical Application Circuit

Rev.1

Information furnished by 2Pai semi is believed to be accurate and reliable. However, no responsibility is assumed by 2Pai semi for its use, nor for any infringements of patents or other rights of third parties that may result from its use. Specifications subject to change without notice. No license is granted by implication or otherwise under any patent or patent rights of 2Pai semi. Trademarks and registered trademarks are the property of their respective owners.

Room 308-309, No.22, Boxia Road, Pudong New District, Shanghai, 201203, China  
021-50850681  
2Pai Semiconductor Co., Limited. All rights reserved.  
<http://www.rpsemi.com/>

## PIN CONFIGURATIONS AND FUNCTIONS

### $\pi$ 120M3x Pin Function Descriptions

Pin No.	Name	Description
1	V <sub>DD1</sub>	Supply Voltage for Isolator Side 1.
2	V <sub>IA</sub>	Logic Input A.
3	V <sub>IB</sub>	Logic Input B.
4	GND <sub>1</sub>	Ground 1. This pin is the ground reference for Isolator Side 1.
5	GND <sub>2</sub>	Ground 2. This pin is the ground reference for Isolator Side 2.
6	V <sub>OB</sub>	Logic Output B.
7	V <sub>OA</sub>	Logic Output A.
8	V <sub>DD2</sub>	Supply Voltage for Isolator Side 2.

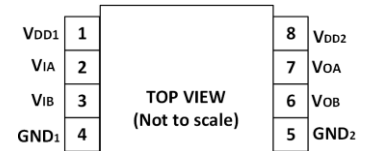


Figure3.  $\pi$ 120M3x Pin Configuration

### $\pi$ 121M3x Pin Function Descriptions

Pin No.	Name	Description
1	V <sub>DD1</sub>	Supply Voltage for Isolator Side 1.
2	V <sub>IA</sub>	Logic Input A.
3	V <sub>OB</sub>	Logic Output B.
4	GND <sub>1</sub>	Ground 1. This pin is the ground reference for Isolator Side 1.
5	GND <sub>2</sub>	Ground 2. This pin is the ground reference for Isolator Side 2.
6	V <sub>IB</sub>	Logic Input B.
7	V <sub>OA</sub>	Logic Output A.
8	V <sub>DD2</sub>	Supply Voltage for Isolator Side 2.

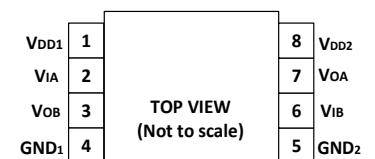


Figure4.  $\pi$ 121M3x Pin Configuration

### $\pi$ 122M3x Pin Function Descriptions

Pin No.	Name	Description
1	V <sub>DD1</sub>	Supply Voltage for Isolator Side 1.
2	V <sub>OA</sub>	Logic Output A.
3	V <sub>IB</sub>	Logic Input B.
4	GND <sub>1</sub>	Ground 1. This pin is the ground reference for Isolator Side 1.
5	GND <sub>2</sub>	Ground 2. This pin is the ground reference for Isolator Side 2.
6	V <sub>OB</sub>	Logic Output B.
7	V <sub>IA</sub>	Logic Input A.
8	V <sub>DD2</sub>	Supply Voltage for Isolator Side 2.

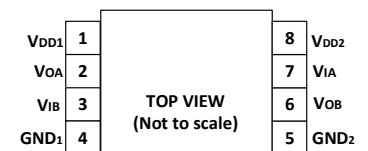


Figure5.  $\pi$ 122M3x Pin Configuration

### $\pi$ 120M6x Pin Function Descriptions

Pin No.	Name	Description
1	GND <sub>1</sub>	Ground 1. This pin is the ground reference for Isolator Side 1.
2	NC	No connect.
3	V <sub>DD1</sub>	Supply Voltage for Isolator Side 1.
4	V <sub>IA</sub>	Logic Input A.
5	V <sub>IB</sub>	Logic Input B.
6	NC	No Connect.
7	GND <sub>1</sub>	Ground 1. This pin is the ground reference for Isolator Side 1.
8	GND <sub>1</sub>	Ground 1. This pin is the ground reference for Isolator Side 1.
9	GND <sub>2</sub>	Ground 2. This pin is the ground reference for Isolator Side 2.

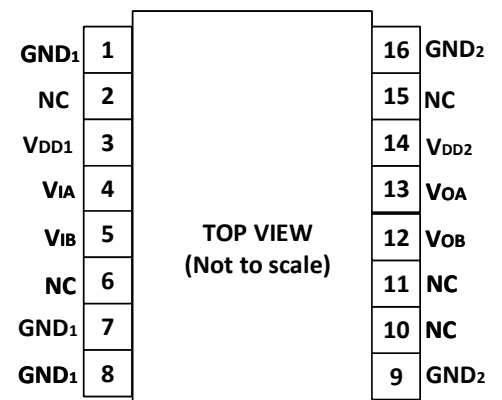


Figure6.  $\pi$ 120M6x Pin Configuration

10	NC	No Connect.
11	NC	No Connect.
12	V <sub>OB</sub>	Logic Output B.
13	V <sub>OA</sub>	Logic Output A.
14	V <sub>DD2</sub>	Supply Voltage for Isolator Side 2.
15	NC	No Connect.
16	GND <sub>2</sub>	Ground 2. This pin is the ground reference for Isolator Side 2.

$\pi$ 121M6x Pin Function Descriptions

Pin No.	Name	Description
1	GND <sub>1</sub>	Ground 1. This pin is the ground reference for Isolator Side 1.
2	NC	No Connect.
3	V <sub>DD1</sub>	Supply Voltage for Isolator Side 1.
4	V <sub>IA</sub>	Logic Input A.
5	V <sub>OB</sub>	Logic Output B.
6	NC	No Connect.
7	GND <sub>1</sub>	Ground 1. This pin is the ground reference for Isolator Side 1.
8	GND <sub>1</sub>	Ground 1. This pin is the ground reference for Isolator Side 1.
9	GND <sub>2</sub>	Ground 2. This pin is the ground reference for Isolator Side 2.
10	NC	No Connect.
11	NC	No Connect.
12	V <sub>IB</sub>	Logic Input B.
13	V <sub>OA</sub>	Logic Output A.
14	V <sub>DD2</sub>	Supply Voltage for Isolator Side 2.
15	NC	No Connect.
16	GND <sub>2</sub>	Ground 2. This pin is the ground reference for Isolator Side 2.

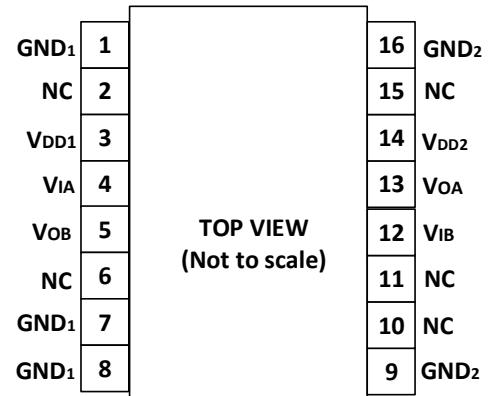


Figure7.  $\pi$ 121M6x Pin Configuration

$\pi$ 122M6x Pin Function Descriptions

Pin No.	Name	Description
1	GND <sub>1</sub>	Ground 1. This pin is the ground reference for Isolator Side 1.
2	NC	No Connect.
3	V <sub>DD1</sub>	Supply Voltage for Isolator Side 1.
4	V <sub>OA</sub>	Logic Output A.
5	V <sub>IB</sub>	Logic Input B.
6	NC	No Connect.
7	GND <sub>1</sub>	Ground 1. This pin is the ground reference for Isolator Side 1.
8	GND <sub>1</sub>	Ground 1. This pin is the ground reference for Isolator Side 1.
9	GND <sub>2</sub>	Ground 2. This pin is the ground reference for Isolator Side 2.
10	NC	No Connect.
11	NC	No Connect.
12	V <sub>OB</sub>	Logic Output B.
13	V <sub>IA</sub>	Logic Input A.
14	V <sub>DD2</sub>	Supply Voltage for Isolator Side 2.
15	NC	No Connect.
16	GND <sub>2</sub>	Ground 2. This pin is the ground reference for Isolator Side 2.

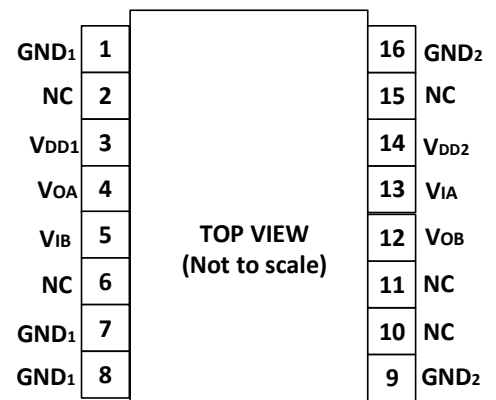


Figure8.  $\pi$ 122M6x Pin Configuration

## ABSOLUTE MAXIMUM RATINGS

$T_A = 25^\circ\text{C}$ , unless otherwise noted.

**Table 1. Absolute Maximum Ratings<sup>4</sup>**

Parameter	Rating
Supply Voltages ( $V_{DD1-GND1}$ , $V_{DD2-GND2}$ )	-0.5 V to +7.0 V
Input Voltages ( $V_{IA}$ , $V_{IB}$ ) <sup>1</sup>	-0.5 V to $V_{DDx} + 0.5$ V
Output Voltages ( $V_{OA}$ , $V_{OB}$ ) <sup>1</sup>	-0.5 V to $V_{DDx} + 0.5$ V
Average Output Current per Pin <sup>2</sup> Side 1 Output Current ( $I_{O1}$ )	-10 mA to +10 mA
Average Output Current per Pin <sup>2</sup> Side 2 Output Current ( $I_{O2}$ )	-10 mA to +10 mA
Common-Mode Transients Immunity <sup>3</sup>	-150 kV/ $\mu\text{s}$ to +150 kV/ $\mu\text{s}$
Storage Temperature ( $T_{ST}$ ) Range	-65°C to +150°C
Ambient Operating Temperature ( $T_A$ ) Range	-40°C to +125°C

Notes:

<sup>1</sup>  $V_{DDx}$  is the side voltage power supply  $V_{DD}$ , where  $x = 1$  or  $2$ .

<sup>2</sup> See Figure9 for the maximum rated current values for various temperatures.

<sup>3</sup> See Figure19 for Common-mode transient immunity (CMTI) measurement.

<sup>4</sup> Stresses at or above those listed under Absolute Maximum Ratings may cause permanent damage to the device. These are stress rating only; functional operation of the device at these or any other conditions above those indicated in the operational section of this specification is not implied. Operation beyond the maximum operating conditions for extended periods may affect product reliability.

## RECOMMENDED OPERATING CONDITIONS

**Table 2. Recommended Operating Conditions**

Parameter	Symbol	Min	Typ	Max	Unit
Supply Voltage	$V_{DDx}$ <sup>1</sup>	3		5.5	V
High Level Input Signal Voltage	$V_{IH}$	$0.7 * V_{DDx}$ <sup>1</sup>		$V_{DDx}$ <sup>1</sup>	V
Low Level Input Signal Voltage	$V_{IL}$	0		$0.3 * V_{DDx}$ <sup>1</sup>	V
High Level Output Current	$I_{OH}$	-6			mA
Low Level Output Current	$I_{OL}$			6	mA
Maximum Data Rate		0		10	Mbps
Junction Temperature	$T_J$	-40		150	°C
Ambient Operating Temperature	$T_A$	-40		125	°C

Notes:

<sup>1</sup>  $V_{DDx}$  is the side voltage power supply  $V_{DD}$ , where  $x = 1$  or  $2$ .

## Truth Tables

**Table 3.  $\pi 120\text{xxx}/\pi 121\text{xxx}/\pi 122\text{xxx}$  Truth Table**

$V_{ix}$ Input <sup>1</sup>	$V_{DD1}$ State <sup>1</sup>	$V_{DD0}$ State <sup>1</sup>	Default Low $V_{ox}$ Output <sup>1</sup>	Default High $V_{ox}$ Output <sup>1</sup>	Test Conditions /Comments
Low	Powered <sup>2</sup>	Powered <sup>2</sup>	Low	Low	Normal operation
High	Powered <sup>2</sup>	Powered <sup>2</sup>	High	High	Normal operation
Open	Powered <sup>2</sup>	Powered <sup>2</sup>	Low	High	Default output
Don't Care <sup>4</sup>	Unpowered <sup>3</sup>	Powered <sup>2</sup>	Low	High	Default output <sup>5</sup>
Don't Care <sup>4</sup>	Powered <sup>2</sup>	Unpowered <sup>3</sup>	High Impedance	High Impedance	

Notes:

<sup>1</sup>  $V_{ix}/V_{ox}$  are the input/output signals of a given channel (A or B).  $V_{DD1}/V_{DD0}$  are the supply voltages on the input/output signal sides of this given channel.

<sup>2</sup> Powered means  $V_{DDx} \geq 2.9V$

<sup>3</sup> Unpowered means  $V_{DDx} < 2.3V$

<sup>4</sup> Input signal ( $V_{ix}$ ) must be in a low state to avoid powering the given  $V_{DD1}$  through its ESD protection circuitry.

<sup>5</sup> If the  $V_{DD1}$  goes into unpowered status, the channel outputs the default logic signal after around 1 $\mu$ s. If the  $V_{DD1}$  goes into powered status, the channel outputs the input status logic signal after around 1 $\mu$ s.

## SPECIFICATIONS

### ELECTRICAL CHARACTERISTICS

**Table 4. Switching Specifications**

$V_{DD1} - V_{GND1} = V_{DD2} - V_{GND2} = 3.3V_{DC} \pm 10\%$  or  $5V_{DC} \pm 10\%$ ,  $T_A = 25^\circ C$ , unless otherwise noted.

Parameter	Symbol	Min	Typ	Max	Unit	Test Conditions/Comments
Minimum Pulse Width	PW			100	ns	Within pulse width distortion (PWD) limit
Maximum Data Rate		10			Mbps	Within PWD limit
Propagation Delay Time <sup>1,4</sup>	$t_{pHL}, t_{pLH}$	5.5	8	12.5	ns	The different time between 50% input signal to 50% output signal 50% @ $5V_{DC}$ supply
		6.5	9	13.5	ns	@ $3.3V_{DC}$ supply
Pulse Width Distortion <sup>4</sup>	PWD	0	0.3	0.8	ns	The max different time between $t_{pHL}$ and $t_{pLH}$ @ $5V_{DC}$ supply. And The value is $ t_{pHL} - t_{pLH} $
		0	0.3	0.8	ns	@ $3.3V_{DC}$ supply
Part to Part Propagation Delay Skew <sup>4</sup>	$t_{PSK}$			1	ns	The max different propagation delay time between any two devices at the same temperature, load and voltage @ $5V_{DC}$ supply
				1	ns	@ $3.3V_{DC}$ supply
Channel to Channel Propagation Delay Skew <sup>4</sup>	$t_{CSK}$		0	1	ns	The max amount propagation delay time differs between any two output channels in the single device @ $5V_{DC}$ supply.
			0	0.8	ns	@ $3.3V_{DC}$ supply
Output Signal Rise/Fall Time <sup>4</sup>	$t_r/t_f$		1.5		ns	10% to 90% signal terminated $50\Omega$ , See figure15.
Dynamic Input Supply Current per Channel	$I_{DDI(D)}$		9		$\mu A$ /Mbps	Inputs switching, 50% duty cycle square wave, $CL = 0 pF$ @ $5V_{DC}$ Supply
Dynamic Output Supply Current per Channel	$I_{DDO(D)}$		38		$\mu A$ /Mbps	Inputs switching, 50% duty cycle square wave, $CL = 0 pF$ @ $5V_{DC}$ Supply
Dynamic Input Supply Current per Channel	$I_{DDI(D)}$		5		$\mu A$ /Mbps	Inputs switching, 50% duty cycle square wave, $CL = 0 pF$ @ $3.3V_{DC}$ Supply
Dynamic Output Supply Current per Channel	$I_{DDO(D)}$		23		$\mu A$ /Mbps	Inputs switching, 50% duty cycle square wave, $CL = 0 pF$ @ $3.3V_{DC}$ Supply
Common-Mode Transient Immunity <sup>3</sup>	CMTI		75		kV/ $\mu s$	$V_{IN} = V_{DDx}^2$ or $0V$ , $V_{CM} = 1000V$ .
Jitter			120		ps p-p	See the Jitter Measurement section
			20		ps rms	See the Jitter Measurement section
ESD (HBM - Human body model)	ESD		$\pm 8$		kV	All pins

Notes:

<sup>1</sup>  $t_{pLH}$  = low-to-high propagation delay time,  $t_{pHL}$  = high-to-low propagation delay time. See figure 16.

<sup>2</sup>  $V_{DDx}$  is the side voltage power supply  $V_{DD}$ , where  $x = 1$  or  $2$ .

<sup>3</sup> See Figure19 for Common-mode transient immunity (CMTI) measurement.

<sup>4</sup> Output Signal Terminated  $50\Omega$ .

**Table 5. DC Specifications**
 $V_{DD1} - V_{GND1} = V_{DD2} - V_{GND2} = 3.3V_{DC} \pm 10\%$  or  $5V_{DC} \pm 10\%$ ,  $T_A = 25^\circ\text{C}$ , unless otherwise noted.

Parameter	Symbol	Min	Typ	Max	Unit	Test Conditions/Comments
Rising Input Signal Voltage Threshold	$V_{IT+}$		$0.6 * V_{DDx}^1$	$0.7 * V_{DDx}^1$	V	
Falling Input Signal Voltage Threshold	$V_{IT-}$	$0.3 * V_{DDx}^1$	$0.4 * V_{DDx}^1$		V	
High Level Output Voltage	$V_{OH}^1$	$V_{DDx} - 0.1$	$V_{DDx}$		V	-20 $\mu\text{A}$ output current
		$V_{DDx} - 0.2$	$V_{DDx} - 0.1$		V	-2 mA output current
Low Level Output Voltage	$V_{OL}$		0	0.1	V	20 $\mu\text{A}$ output current
			0.1	0.2	V	2 mA output current
Input Current per Signal Channel	$I_{IN}$	-10	0.5	10	$\mu\text{A}$	$0\text{ V} \leq \text{Signal voltage} \leq V_{DDx}^1$
$V_{DDx}^1$ Undervoltage Rising Threshold	$V_{DDxUV+}$	2.45	2.65	2.9	V	
$V_{DDx}^1$ Undervoltage Falling Threshold	$V_{DDxUV-}$	2.3	2.5	2.75	V	
$V_{DDx}^1$ Hysteresis	$V_{DDxUVH}$		0.15		V	

Notes:

<sup>1</sup>  $V_{DDx}$  is the side voltage power supply  $V_{DD}$ , where  $x = 1$  or  $2$ .**Table 6. Quiescent Supply Current**
 $V_{DD1} - V_{GND1} = V_{DD2} - V_{GND2} = 3.3V_{DC} \pm 10\%$  or  $5V_{DC} \pm 10\%$ ,  $T_A = 25^\circ\text{C}$ ,  $C_L = 0\text{ pF}$ , unless otherwise noted.

Parameter	Symbol	Min	Typ	Max	Unit	Test Conditions	
$\pi 120\text{Mxx}$ Quiescent Supply Current @ $5V_{DC}$ Supply	$I_{DD1} (Q)$	64	80	104	$\mu\text{A}$	0V Input signal	
	$I_{DD2} (Q)$	781	976	1269	$\mu\text{A}$	0V Input signal	
	$I_{DD1} (Q)$	158	197	256	$\mu\text{A}$	5V Input signal	
	$I_{DD2} (Q)$	738	923	1200	$\mu\text{A}$	5V Input signal	
	@ $3.3V_{DC}$ Supply	$I_{DD1} (Q)$	63	79	103	$\mu\text{A}$	0V Input signal
		$I_{DD2} (Q)$	772	965	1255	$\mu\text{A}$	0V Input signal
		$I_{DD1} (Q)$	116	145	189	$\mu\text{A}$	3.3V Input signal
		$I_{DD2} (Q)$	709	886	1152	$\mu\text{A}$	3.3V Input signal
$\pi 121\text{Mxx}$ Quiescent Supply Current @ $5V_{DC}$ Supply	$I_{DD1} (Q)$	419	524	681	$\mu\text{A}$	0V Input signal	
	$I_{DD2} (Q)$	419	524	681	$\mu\text{A}$	0V Input signal	
	$I_{DD1} (Q)$	436	545	709	$\mu\text{A}$	5V Input signal	
	$I_{DD2} (Q)$	436	545	709	$\mu\text{A}$	5V Input signal	
	@ $3.3V_{DC}$ Supply	$I_{DD1} (Q)$	414	518	673	$\mu\text{A}$	0V Input signal
		$I_{DD2} (Q)$	414	518	673	$\mu\text{A}$	0V Input signal
		$I_{DD1} (Q)$	408	510	663	$\mu\text{A}$	3.3V Input signal
		$I_{DD2} (Q)$	408	510	663	$\mu\text{A}$	3.3V Input signal
$\pi 122\text{Mxx}$ Quiescent Supply Current @ $5V_{DC}$ Supply	$I_{DD1} (Q)$	419	524	681	$\mu\text{A}$	0V Input signal	
	$I_{DD2} (Q)$	419	524	681	$\mu\text{A}$	0V Input signal	
	$I_{DD1} (Q)$	436	545	709	$\mu\text{A}$	5V Input signal	
	$I_{DD2} (Q)$	436	545	709	$\mu\text{A}$	5V Input signal	
	@ $3.3V_{DC}$ Supply	$I_{DD1} (Q)$	414	518	673	$\mu\text{A}$	0V Input signal
		$I_{DD2} (Q)$	414	518	673	$\mu\text{A}$	0V Input signal

$I_{DD1}$ (Q)	408	510	663	$\mu$ A	3.3V Input signal
$I_{DD2}$ (Q)	408	510	663	$\mu$ A	3.3V Input signal

**Table 7. Total Supply Current vs. Data Throughput ( $C_L = 0$  pF)**

$V_{DD1} - V_{GND1} = V_{DD2} - V_{GND2} = 3.3V_{DC} \pm 10\%$  or  $5V_{DC} \pm 10\%$ ,  $T_A = 25^\circ\text{C}$ ,  $C_L = 0$  pF, unless otherwise noted.

Parameter	Symbol	150 Kbps			1 Mbps			10 Mbps			Unit	
		Min	Typ	Max	Min	Typ	Max	Min	Typ	Max		
$\pi$ 120Mxx Supply Current @ $5V_{DC}$	$I_{DD1}$		0.14	0.21		0.15	0.22		0.24	0.36	mA	
	$I_{DD2}$		0.95	1.43		1.02	1.52		1.76	2.63	mA	
	@ $3.3V_{DC}$	$I_{DD1}$		0.11	0.17		0.12	0.17		0.18	0.27	mA
		$I_{DD2}$		0.93	1.40		0.97	1.46		1.43	2.14	mA
$\pi$ 121Mxx Supply Current @ $5V_{DC}$	$I_{DD1}$		0.54	0.81		0.58	0.86		0.97	1.46	mA	
	$I_{DD2}$		0.54	0.81		0.58	0.86		0.97	1.46	mA	
	@ $3.3V_{DC}$	$I_{DD1}$		0.52	0.78		0.54	0.81		0.77	1.16	mA
		$I_{DD2}$		0.52	0.78		0.54	0.81		0.77	1.16	mA
$\pi$ 122Mxx Supply Current @ $5V_{DC}$	$I_{DD1}$		0.54	0.81		0.58	0.86		0.97	1.60	mA	
	$I_{DD2}$		0.54	0.81		0.58	0.86		0.97	1.60	mA	
	@ $3.3V_{DC}$	$I_{DD1}$		0.52	0.78		0.54	0.81		0.77	1.20	mA
		$I_{DD2}$		0.52	0.78		0.54	0.81		0.77	1.20	mA

**INSULATION AND SAFETY RELATED SPECIFICATIONS****Table 8. Insulation Specifications**

Parameter	Symbol	Value		Unit	Test Conditions/Comments
		$\pi$ 12xM3x	$\pi$ 12xM6x		
Rated Dielectric Insulation Voltage		3000	6000	V rms	1-minute duration
Minimum External Air Gap (Clearance)	L (CLR)	4	8	mm min	Measured from input terminals to output terminals, shortest distance through air
Minimum External Tracking (Creepage)	L (CRP)	4	8	mm min	Measured from input terminals to output terminals, shortest distance path along body
Minimum Internal Gap (Internal Clearance)		11	21	$\mu$ m min	Insulation distance through insulation
Tracking Resistance (Comparative Tracking Index)	CTI	>400	>400	V	DIN IEC 112/VDE 0303 Part 1
Material Group		II	II		Material Group (DIN VDE 0110, 1/89, Table 1)

**PACKAGE CHARACTERISTICS****Table 9. Package Characteristics**

Parameter	Symbol	Typical Value		Unit	Test Conditions/Comments
		$\pi$ 12xM3x	$\pi$ 12xM6x		
Resistance (Input to Output) <sup>1</sup>	$R_{I-O}$	$10^{11}$	$10^{11}$	$\Omega$	
Capacitance (Input to Output) <sup>1</sup>	$C_{I-O}$	0.6	0.6	pF	@1MHz
Input Capacitance <sup>2</sup>	$C_I$	3	3	pF	@1MHz
IC Junction to Ambient Thermal Resistance	$\theta_{JA}$	100	45	$^\circ\text{C}/\text{W}$	Thermocouple located at center of package underside

Notes:

<sup>1</sup>The device is considered a 2-terminal device; SOIC-8 Pin 1 - Pin 4 (WSOIC-16 Pin 1-Pin8) are shorted together as the one terminal, and SOIC-8 Pin 5 - Pin 8 (WSOIC-16 Pin 9-Pin16) are shorted together as the other terminal.

<sup>2</sup>Testing from the input signal pin to ground.

**REGULATORY INFORMATION**

See Table 10 and the Insulation Lifetime section for details regarding recommended maximum working voltages for specific cross isolation waveforms and insulation levels.

**Table 10. Regulatory**

Regulatory	$\pi 12xM3x$	$\pi 12xM6x$
<b>UL</b>	Recognized under UL 1577 Component Recognition Program <sup>1</sup> Single Protection, 3000 V rms Isolation Voltage File (E494497)	Recognized under UL 1577 Component Recognition Program <sup>1</sup> Single Protection, 6000V rms Isolation Voltage File (pending)
<b>CSA</b>	Approved under CSA Component Acceptance Notice 5A CSA 60950-1-07+A1+A2 and IEC 60950-1, second edition, +A1+A2: Basic insulation at 500 V rms (707 V peak) Reinforced insulation at 250 V rms (353 V peak) File (pending)	Approved under CSA Component Acceptance Notice 5A CSA 60950-1-07+A1+A2 and IEC 60950-1, second edition, +A1+A2: Basic insulation at 845 V rms (1200 V peak) Reinforced insulation at 422 V rms (600 V peak) File (pending)
<b>VDE</b>	DIN V VDE V 0884-10 (VDE V 0884-10):2006-12 <sup>2</sup> Basic insulation, $V_{IORM} = 707$ V peak, $V_{IOSM} = 4615$ V peak File (40047929)	DIN V VDE V 0884-10 (VDE V 0884-10):2006-12 <sup>2</sup> Basic insulation, $V_{IORM} = 1200$ V peak, $V_{IOSM} = 7000$ V peak File (pending)
<b>CQC</b>	Certified under CQC11-471543-2012 GB4943.1-2011 Basic insulation at 500 V rms (707 V peak) working voltage  Reinforced insulation at 250 V rms (353 V peak) File (pending)	Certified under CQC11-471543-2012 GB4943.1-2011 Basic insulation at 845 V rms (1200 V peak) working voltage  Reinforced insulation at 422 V rms (600 V peak) File (pending)

Notes:

<sup>1</sup> In accordance with UL 1577, each  $\pi 120M3x/\pi 121M3x/\pi 122M3x$  is proof tested by applying an insulation test voltage  $\geq 3600$  V rms for 1 sec; each  $\pi 120M6x/\pi 121M6x/\pi 122M6x$  is proof tested by applying an insulation test voltage  $\geq 7200$  V rms for 1 sec

<sup>2</sup> In accordance with DIN V VDE V 0884-10, each  $\pi 120M3x/\pi 121M3x/\pi 122M3x$  is proof tested by applying an insulation test voltage  $\geq 1326$  V peak for 1 sec (partial discharge detection limit = 5 pC); each  $\pi 120M6x/\pi 121M6x/\pi 122M6x$  is proof tested by  $\geq 2250$  V peak for 1 sec. The \* marking branded on the component designates DIN V VDE V 0884-10 approval.

**DIN V VDE V 0884-10 (VDE V 0884-10) INSULATION CHARACTERISTICS**

These isolators are suitable for reinforced electrical isolation only within the safety limit data. Protective circuits ensure the maintenance of the safety data. The \* marking on packages denotes DIN V VDE V 0884-10 approval.

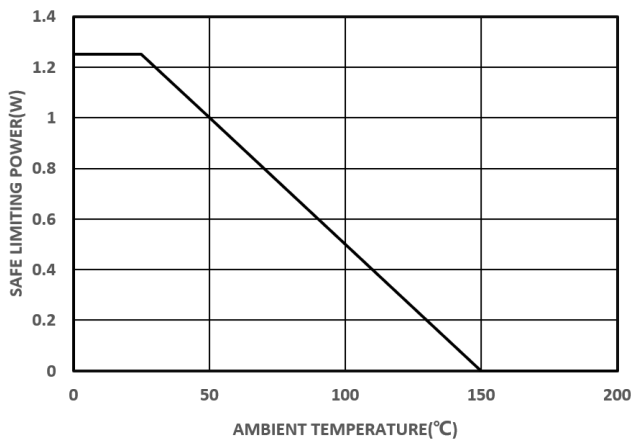
**Table 11. VDE Insulation Characteristics**

Description	Test Conditions/Comments	Symbol	Characteristic		Unit
			$\pi 12xM3x$	$\pi 12xM6x$	
Installation Classification per DIN VDE 0110					
For Rated Mains Voltage $\leq 150$ V rms			I to IV	I to IV	
For Rated Mains Voltage $\leq 300$ V rms			I to III	I to III	
For Rated Mains Voltage $\leq 400$ V rms			I to III	I to III	
Climatic Classification			40/105/21	40/105/21	
Pollution Degree per DIN VDE 0110, Table 1			2	2	



Maximum Working Insulation Voltage		$V_{IORM}$	707	1200	V peak
Input to Output Test Voltage, Method B1	$V_{IORM} \times 1.875 = V_{pd(m)}$ , 100% production test, $t_{ini} = t_m = 1$ sec, partial discharge < 5 pC	$V_{pd(m)}$	1326	2250	V peak
Input to Output Test Voltage, Method A					
After Environmental Tests Subgroup 1	$V_{IORM} \times 1.5 = V_{pd(m)}$ , $t_{ini} = 60$ sec, $t_m = 10$ sec, partial discharge < 5 pC	$V_{pd(m)}$	1061	1800	V peak
After Input and/or Safety Test Subgroup 2 and Subgroup 3	$V_{IORM} \times 1.2 = V_{pd(m)}$ , $t_{ini} = 60$ sec, $t_m = 10$ sec, partial discharge < 5 pC		849	1440	V peak
Highest Allowable Overvoltage		$V_{IOTM}$	4200	8500	V peak
Surge Isolation Voltage Basic	Basic insulation, 1.2 $\mu$ s rise time, 50 $\mu$ s, 50% fall time	$V_{IOSM}$	4615	7000	V peak
Surge Isolation Voltage Reinforced	Reinforced insulation, 1.2 $\mu$ s rise time, 50 $\mu$ s, 50% fall time	$V_{IOSM}$			V peak
Safety Limiting Values	Maximum value allowed in the event of a failure (see Figure 9)				
Maximum Junction Temperature		$T_S$	150	150	$^{\circ}$ C
Total Power Dissipation at 25 $^{\circ}$ C		$P_S$	1.56	2.78	W
Insulation Resistance at $T_S$	$V_{IO} = 800$ V	$R_S$	>10 <sup>9</sup>	>10 <sup>9</sup>	$\Omega$

$\pi$ 12xM3x



$\pi$ 12xM6x

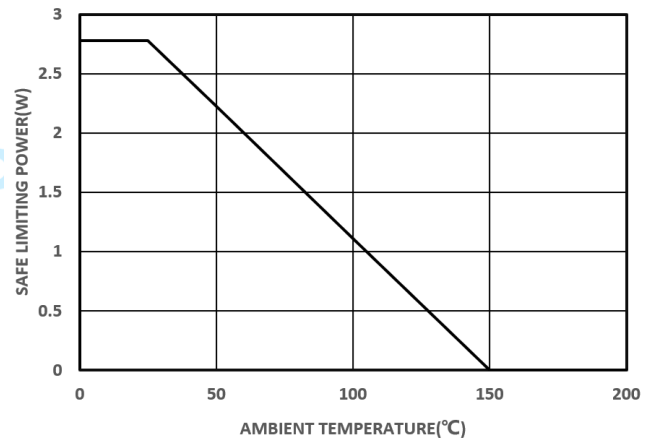


Figure9. Thermal Derating Curve, Dependence of Safety Limiting Values with Ambient Temperature per VDE

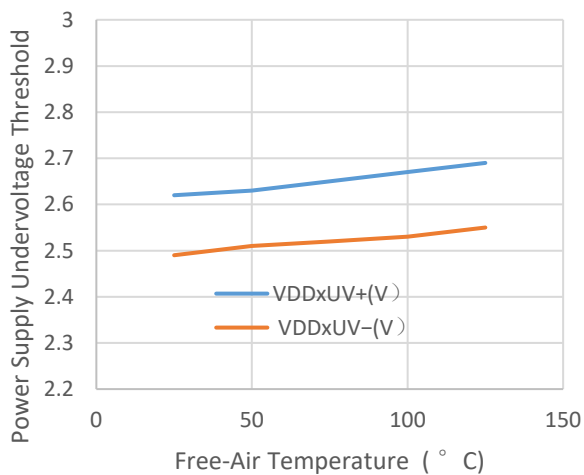


Figure10. UVLO vs. Free-Air Temperature

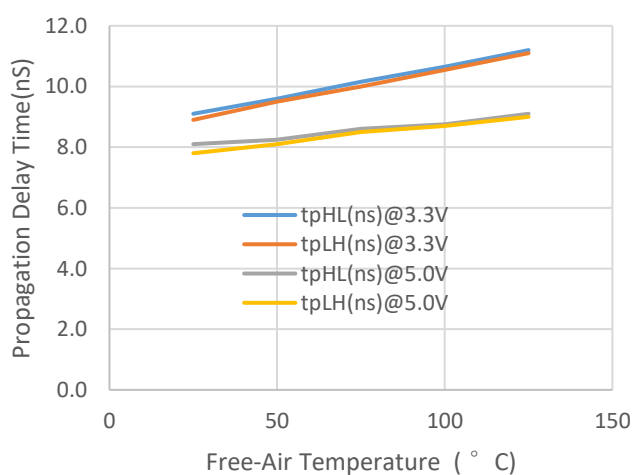


Figure11. Propagation Delay Time vs. Free-Air Temperature

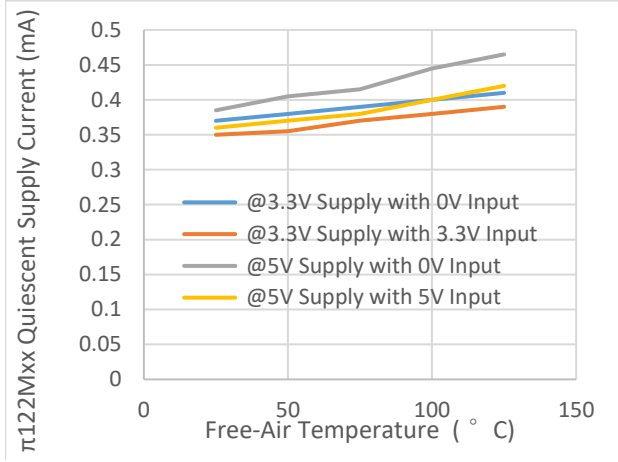


Figure12.  $\pi$ 121Mxx/ $\pi$ 122Mxx Quiescent Supply Current vs. Free-Air Temperature

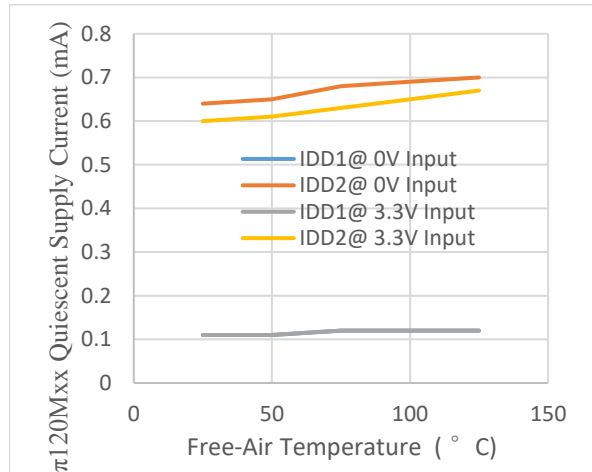


Figure13.  $\pi$ 120Mxx Quiescent Supply Current with 3.3V Supply vs. Free-Air Temperature

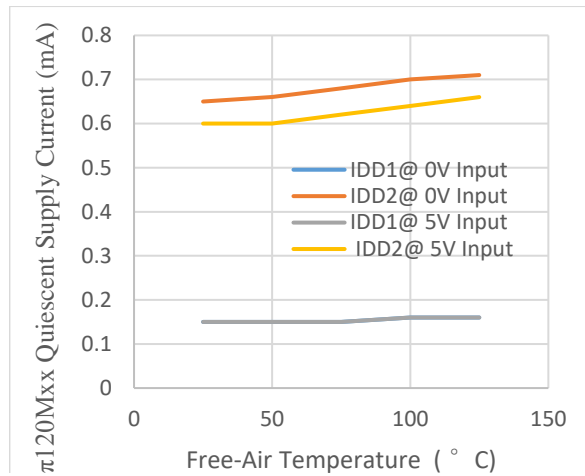


Figure14.  $\pi$ 120Mxx Quiescent Supply Current with 5V Supply vs. Free-Air Temperature

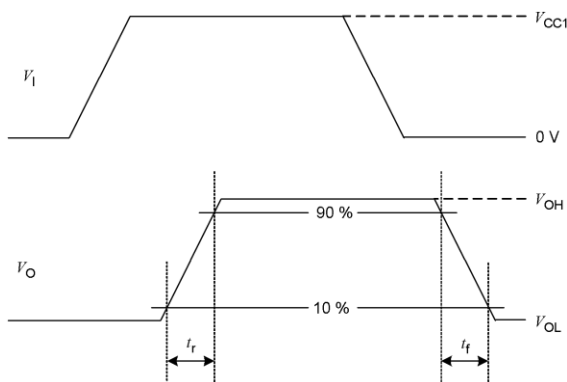


Figure15. Transition time waveform measurement

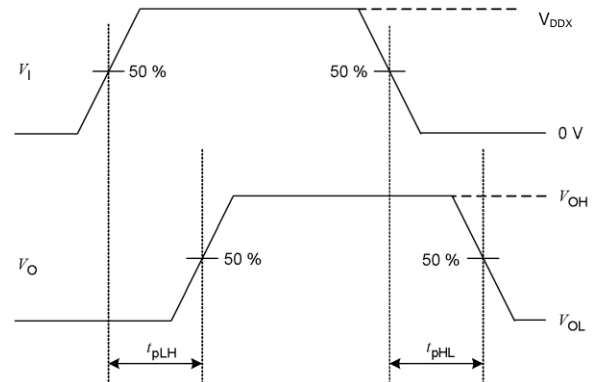


Figure16. Propagation delay time waveform measurement

## APPLICATIONS INFORMATION

### OVERVIEW

The  $\pi$ 1xxxx are 2PaiSemi digital isolators product family based on 2PaiSEMI unique **iDivider** technology. Intelligent voltage **Divider** technology (**iDivider** technology) is a new generation digital isolator technology invented by 2PaiSEMI. It uses the principle of capacitor voltage divider to transmit signal directly cross the isolator capacitor without signal modulation and demodulation. Compare to the traditional Opto-couple technology, icoupler technology, OOK technology, **iDivider** is a more essential and concise isolation signal transmit technology which leads to greatly simplification on circuit design and therefore significantly improves device performance, such as lower power consumption, faster speed, enhanced anti-interference ability, lower noise.

By using matured standard semiconductor CMOS technology and the innovative **iDivider** design, these isolation components provide outstanding performance characteristics and reliability superior to alternatives such as optocoupler devices and other integrated isolators. The  $\pi$ 1xxxx isolator data channels are independent and are available in a variety of configurations with a withstand voltage rating of 1.5 kV rms to 6.0 kV rms and the data rate from DC up to 600Mbps (see the Ordering Guide).

The  $\pi$ 120Mxx/ $\pi$ 121Mxx/ $\pi$ 122Mxx are the outstanding 10 Mbps dual-channel digital isolators with the enhanced ESD capability. the devices transmit data across an isolation barrier by layers of silicon dioxide isolation.

The devices operate with the supply voltage on either side ranging from 3.0 V to 5.5 V, offering voltage translation of 3.3 V and 5 V logic.

The  $\pi$ 120Mxx/ $\pi$ 121Mxx/ $\pi$ 122Mxx have very low propagation delay and high speed. The input/output design techniques allow logic and supply voltages over a wide range from 3.0 V to 5.5 V, offering voltage translation of 3.3 V and 5 V logic. The architecture is designed for high common-mode transient immunity and high immunity to electrical noise and magnetic interference.

See the Ordering Guide for the model numbers that have the fail-safe output state of low or high.

### PCB LAYOUT

The low-ESR ceramic bypass capacitors must be connected between  $V_{DD1}$  and  $GND_1$  and between  $V_{DD2}$  and  $GND_2$ . The bypass capacitors are placed on the PCB as close to the isolator device as possible. The recommended bypass capacitor value is between 0.1  $\mu$ F and 10  $\mu$ F. To enhance the robustness of a design,

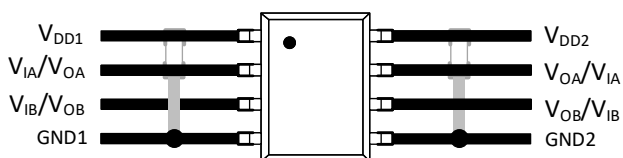


Figure17. Recommended Printed Circuit Board Layout

the user may also include resistors (50–300  $\Omega$ ) in series with the inputs and outputs if the system is excessively noisy.

Avoid reducing the isolation capability, Keep the space underneath the isolator device free from metal such as planes, pads, traces and vias.

To minimize the impedance of the signal return loop, keep the solid ground plane directly underneath the high-speed signal path, the closer the better. The return path will couple between the nearest ground plane to the signal path. Keep suitable trace width for controlled impedance transmission lines interconnect.

To reduce the rise time degradation, keep the length of input/output signal traces as short as possible, and route low inductance loop for the signal path and It's return path.

### JITTER MEASUREMENT

The eye diagram shown in the figure18 provides the jitter measurement result for the  $\pi$ 120Mxx/ $\pi$ 121Mxx/ $\pi$ 122Mxx. The Keysight 81160A pulse function arbitrary generator works as the data source for the  $\pi$ 120Mxx/ $\pi$ 121Mxx/ $\pi$ 122Mxx, which generates 10Mbps pseudo random bit sequence (PRBS). The Keysight DSOS104A digital storage oscilloscope captures the  $\pi$ 120Mxx/ $\pi$ 121Mxx/ $\pi$ 122Mxx output waveform and recovers the eye diagram with the SDA jitter tools and eye diagram analysis tools. The result shows a typical measurement 120ps p-p jitter.

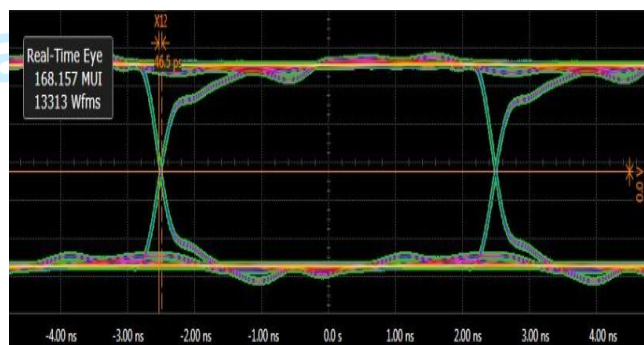


Figure18.  $\pi$ 120Mxx/ $\pi$ 121Mxx/ $\pi$ 122Mxx Eye Diagram

### CMTI MEASUREMENT

To measure the Common-Mode Transient Immunity (CMTI) of  $\pi$ 1xxxx isolator under specified common-mode pulse magnitude ( $V_{CM}$ ) and specified slew rate of the common-mode pulse ( $dV_{CM}/dt$ ) and other specified test or ambient conditions, The

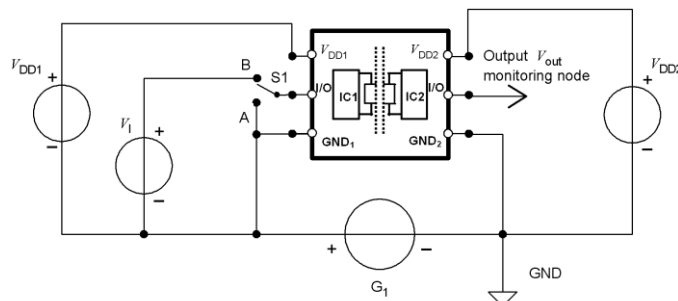
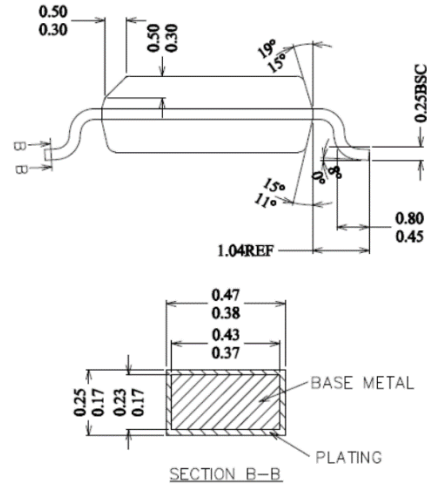
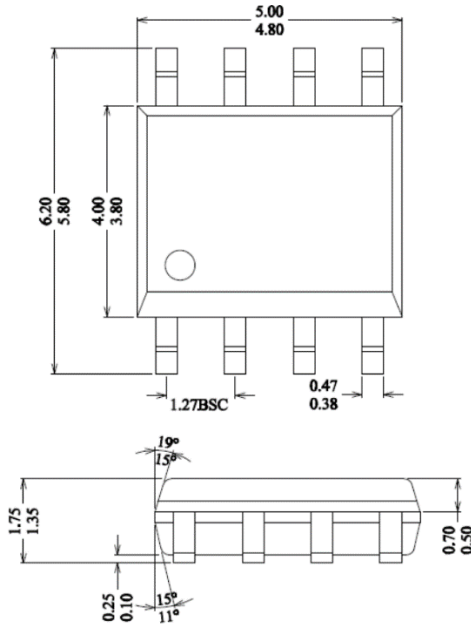


Figure19. Common-mode transient immunity (CMTI) measurement

common-mode pulse generator ( $G_1$ ) will be capable of providing fast rising and falling pulses of specified magnitude and duration of the common-mode pulse ( $V_{CM}$ ) and the maximum common-mode slew rates ( $dV_{CM}/dt$ ) can be applied to  $\pi$ 1xxxxx isolator

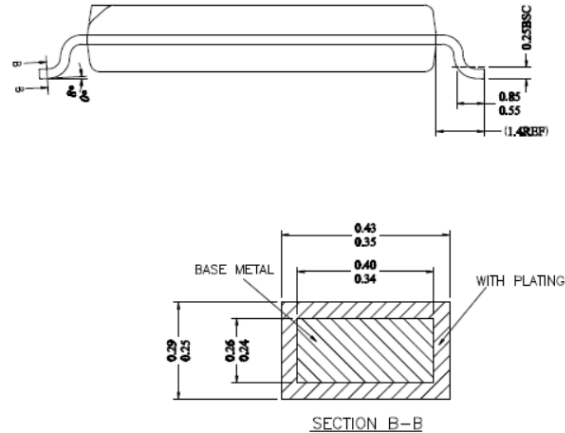
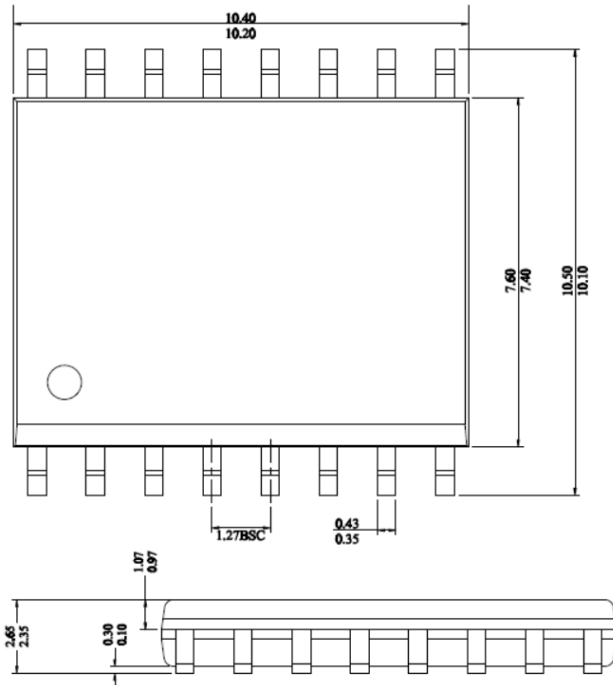
coupler under measurement. The common-mode pulse is applied between one side ground GND1 and the other side ground GND2 of  $\pi$ 1xxxxx isolator and shall be capable of providing positive transients as well as negative transients.

**OUTLINE DIMENSIONS**



NOTES:  
ALL DIMENSIONS REFER TO JEDEC STANDARD MS-012 AA  
DO NOT INCLUDE MOLD FLASH OR PROTRUSION.

Figure20. 8-Lead Standard Small Outline Package [8-Lead SOIC\_N]

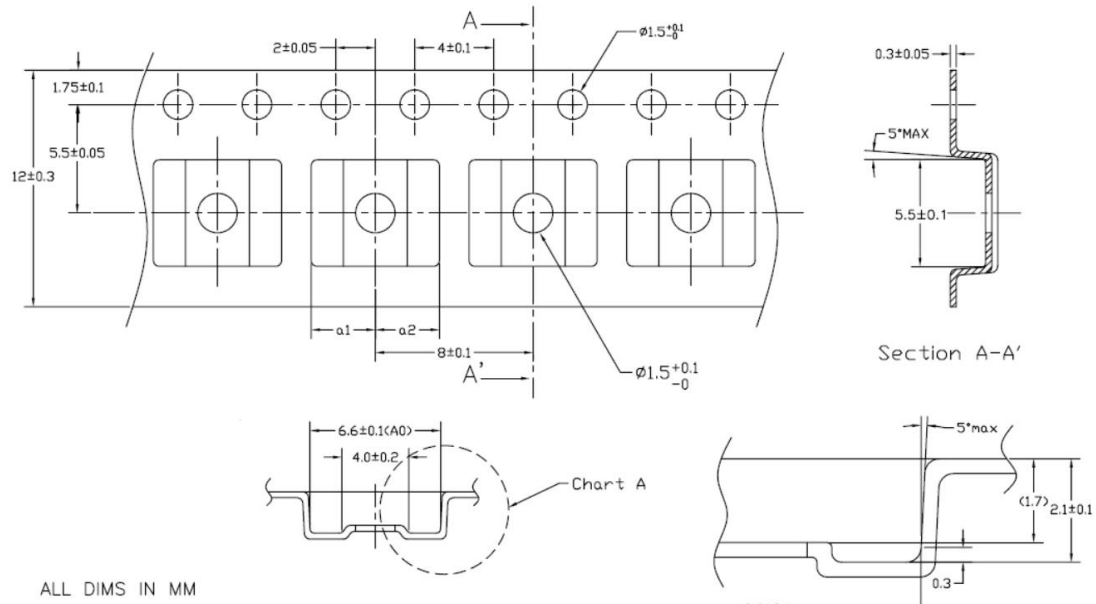


NOTES:  
ALL DIMENSIONS MEET JEDEC STANDARD MS-013 AA  
DO NOT INCLUDE MOLD FLASH OR PROTRUSIONS.

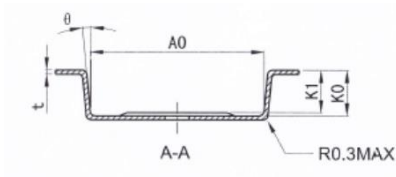
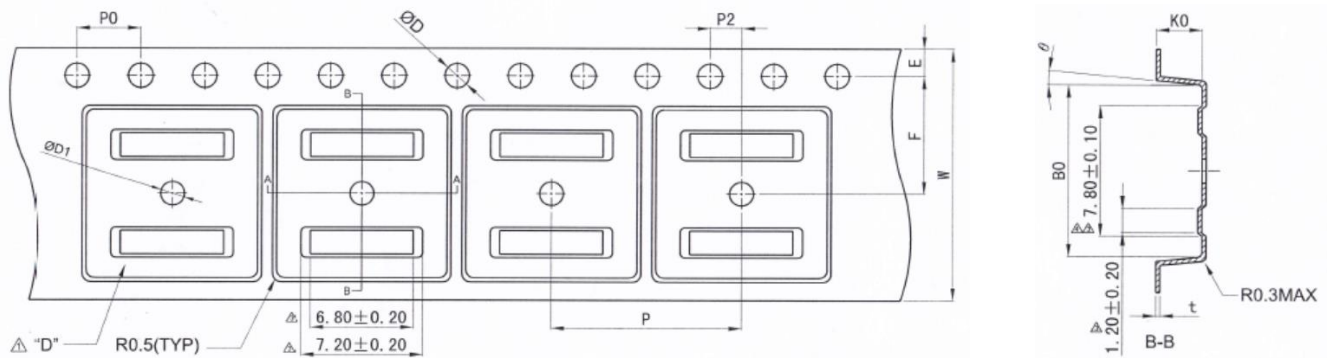
Figure21. 16-Lead Wide Body Outline Package [16-Lead SOIC\_W]

# REEL INFORMATION

8-Lead SOIC\_N



16-Lead SOIC\_W



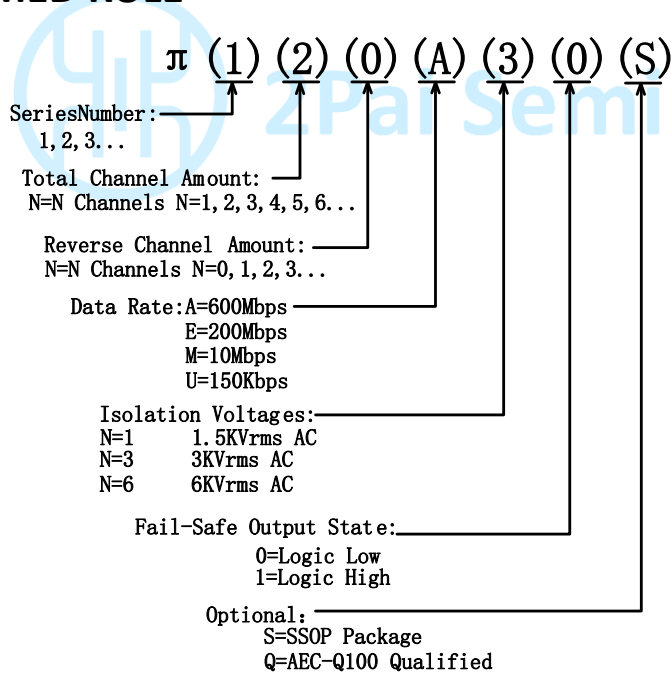
Items	Size(mm)
E	$1.75 \pm 0.10$
F	$7.50 \pm 0.05$
P2	$2.00 \pm 0.05$
D	$1.55 \pm 0.05$
D1	$1.5 \pm 0.10$
P0	$4.00 \pm 0.10$
10P0	$40.00 \pm 0.20$

Items	Size(mm)
W	$16.00 \pm 0.30$
P	$12.00 \pm 0.10$
A0	$10.90 \pm 0.10$
B0	$10.80 \pm 0.10$
K0	$3.00 \pm 0.10$
t	$0.30 \pm 0.05$
K1	$2.70 \pm 0.10$
$\theta$	$5^{\circ}$ TYP

### ORDERING GUIDE

Model Name		Temperature Range	No. of Inputs, V <sub>DD1</sub> Side	No. of Inputs, V <sub>DD2</sub> Side	Withstand Voltage Rating (kV rms)	Fail-Safe Output State	Package Description	Package Option	Quantity
$\pi$ 120M31	Pai120M31	-40°C to +125°C	2	0	3	High	8-Lead SOIC_N	S-8-N	4000 per reel
$\pi$ 120M30	Pai120M30	-40°C to +125°C	2	0	3	Low	8-Lead SOIC_N	S-8-N	4000 per reel
$\pi$ 121M31	Pai121M31	-40°C to +125°C	1	1	3	High	8-Lead SOIC_N	S-8-N	4000 per reel
$\pi$ 121M30	Pai121M30	-40°C to +125°C	1	1	3	Low	8-Lead SOIC_N	S-8-N	4000 per reel
$\pi$ 122M31	Pai122M31	-40°C to +125°C	1	1	3	High	8-Lead SOIC_N	S-8-N	4000 per reel
$\pi$ 122M30	Pai122M30	-40°C to +125°C	1	1	3	Low	8-Lead SOIC_N	S-8-N	4000 per reel
$\pi$ 120M61	Pai120M61	-40°C to +125°C	2	0	6	High	16-Lead SOIC_W	S-16-W	1500 per reel
$\pi$ 120M60	Pai120M60	-40°C to +125°C	2	0	6	Low	16-Lead SOIC_W	S-16-W	1500 per reel
$\pi$ 121M61	Pai121M61	-40°C to +125°C	1	1	6	High	16-Lead SOIC_W	S-16-W	1500 per reel
$\pi$ 121M60	Pai121M60	-40°C to +125°C	1	1	6	Low	16-Lead SOIC_W	S-16-W	1500 per reel
$\pi$ 122M61	Pai122M61	-40°C to +125°C	1	1	6	High	16-Lead SOIC_W	S-16-W	1500 per reel
$\pi$ 122M60	Pai122M60	-40°C to +125°C	1	1	6	Low	16-Lead SOIC_W	S-16-W	1500 per reel

### PART NUMBER NAMED RULE



Notes:  
Pai12xxxx is equals to  $\pi$ 12xxxx in the customer BOM

## REVISION HISTORY

Revision	Updated	Date	Page	Change Record
1	Jason	2018/09/17	All	Initial version
2	Jason	2018/11/28	P11	Changed the recommended bypass capacitor value from between 0.1 $\mu$ F and 1 $\mu$ F to between 0.1 $\mu$ F and 10 $\mu$ F.
3	Devin	2019/09/08	P1,P11,P13,P14	<p>P1: Changed the address from 'Room 19307, Building 8, No.498, GuoShouJing Road' to 'Room 308-309, No.22, Boxia Road'; Add <b>iDivider</b> technology description in General Description.</p> <p>Changed propagation delay for 5V from 7.5ns to 8ns.</p> <p>Changed CMTI from 50KV/us to 75KV/us.</p> <p>Changed ESD(HBM) from 7KV to 8KV.</p> <p>P11: Add <b>iDivider</b> technology description in overview.</p> <p>P13: Updated 16-Lead SOIC_W reel drawing.</p> <p>P14: Add character 'S' and 'Q' in part number named rule; Changed the SOIC_W quantity from '1000 per reel' to '1500 per reel'.</p>



2Pai Semi

## X-ON Electronics

Largest Supplier of Electrical and Electronic Components

*Click to view similar products for [Digital Isolators](#) category:*

*Click to view products by [2Pai Semi](#) manufacturer:*

Other Similar products are found below :

[ADUM1281WARZ](#) [ADUM3160WBRWZ](#) [ADUM1280WARZ](#) [ADUM1442ARSZ-RL7](#) [ADUM5230WARWZ](#) [ADUM1285WARZ](#)  
[ADUM1285WCRZ](#) [ADUM1286WCRZ](#) [ADUM1445ARSZ-RL7](#) [ADUM1285WBRZ](#) [ADUM1280WCRZ](#) [ADN4652BRWZ-RL7](#)  
[MAX14850ASE+T](#) [MAX14932AAWE](#) [ISO1I813T](#) [ADUM2251WARWZ](#) [MAX14850AEE+T](#) [ADUM3471WARSZ](#) [ADUM3472WARSZ](#)  
[ADUM2250WARWZ](#) [SI8380P-IUR](#) [MAX12931FASA+](#) [ADUM3211TRZ-EP-RL7](#) [ADP1032ACPZ-2-R7](#) [ADUM7223ACCZ-R7](#)  
[ADP1032ACPZ-4-R7](#) [ADP1032ACPZ-1-R7](#) [ADP1032ACPZ-5-R7](#) [ADP1032ACPZ-3-R7](#) [ADUM3301WARWZ](#) [SI8388P-IUR](#)  
[ADUM141E0WBRQZ-RL7](#) [ADUM141E0WBRQZ](#) [ADN4651BRWZ-RL7](#) [ADUM1246ARZ-RL7](#) [140U30](#) [MCP2022A-330E/ST](#)  
[MCP2022A-500E/ST](#) [MCP2021-500E/P](#) [MCW1001A-I/SS](#) [IL260-1E](#) [IL260VE](#) [IL261-1E](#) [IL261VE](#) [IL262E](#) [IL3122E](#) [IL3185-3E](#) [IL3485-](#)  
[3E](#) [IL3685E](#) [IL514E](#)