

## Printed-circuit board connector - PSC 1,5/ 3-M - 1841857

Please be informed that the data shown in this PDF Document is generated from our Online Catalog. Please find the complete data in the user's documentation. Our General Terms of Use for Downloads are valid (<http://phoenixcontact.com/download>)

Header, Nominal current: 8 A, Number of positions: 3, Pitch: 3.5 mm, Color: green, Contact surface: Tin, Mounting: Soldering



### Product Features

- Combination of MINI-COMBICON connectors and the good shielding properties and geometry of D-SUB connectors
- Can be used in standard D-SUB housing



### Key commercial data

Packing unit	1 pc
GTIN	 4 017918 111861
Weight per Piece (excluding packing)	6.72 GRM
Custom tariff number	85369010
Country of origin	Poland

### Technical data

#### Dimensions

Length	20.8 mm
Pitch	3.5 mm
Dimension a	7 mm

#### General

Range of articles	PSC 1,5/..-M
Insulating material group	I
Rated voltage (III/3)	250 V
Connection in acc. with standard	EN-VDE
Nominal current $I_N$	8 A

# Printed-circuit board connector - PSC 1,5/ 3-M - 1841857

## Technical data

### General

Insulating material	PA
Inflammability class according to UL 94	V0
Color	green
Number of positions	3

## Classifications

### eCl@ss

eCl@ss 4.0	272607xx
eCl@ss 4.1	27260701
eCl@ss 5.0	27260701
eCl@ss 5.1	27260701
eCl@ss 6.0	27260704
eCl@ss 7.0	27440402
eCl@ss 8.0	27440402

### ETIM

ETIM 3.0	EC001121
ETIM 4.0	EC002637
ETIM 5.0	EC002637

### UNSPSC

UNSPSC 6.01	30211810
UNSPSC 7.0901	39121409
UNSPSC 11	39121409
UNSPSC 12.01	39121409
UNSPSC 13.2	39121409

## Approvals

### Approvals

---

#### Approvals

CSA / EAC / cULus Recognized

---

#### Ex Approvals

---

# Printed-circuit board connector - PSC 1,5/ 3-M - 1841857

## Approvals

Approvals submitted

## Approval details

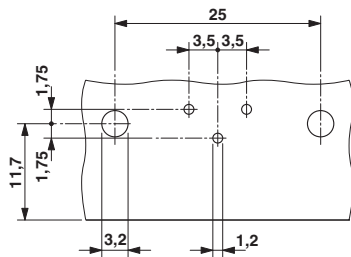
CSA	B	D	
	Nominal current I <sub>N</sub>	8 A	8 A
	Nominal voltage U <sub>N</sub>	300 V	300 V

EAC
-----

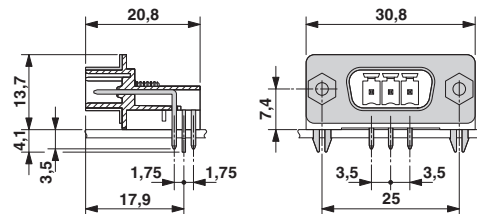
cULus Recognized		
	B	D
Nominal current I <sub>N</sub>	8 A	8 A
Nominal voltage U <sub>N</sub>	300 V	300 V

## Drawings

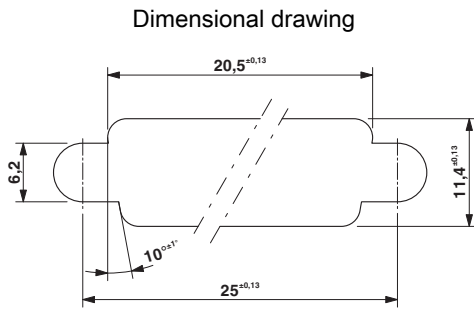
Drilling diagram



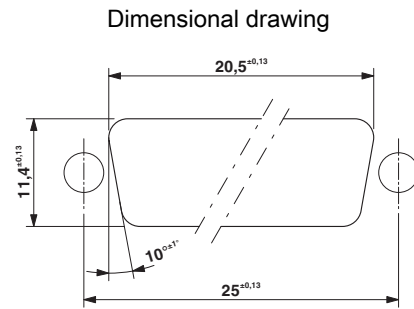
Dimensional drawing



## Printed-circuit board connector - PSC 1,5/ 3-M - 1841857



Panel cutout in acc. with DIN 41652-3 for walls up to 4.5 mm thick



Panel cutout in acc. with DIN 41652-3 for wall up to 2.0 mm thick

## X-ON Electronics

Largest Supplier of Electrical and Electronic Components

*Click to view similar products for [Headers & Wire Housings](#) category:*

*Click to view products by [Phoenix Contact](#) manufacturer:*

Other Similar products are found below :

[95000-104TRLF](#) [10135584-644402LF](#) [DF62W-EP2022PCA](#) [95000-106TRLF](#) [DF62W-2022SCA](#) [DF62W-EP2022PC](#) [2203348](#) [DF62W-2022SC](#) [1084018](#) [1029039](#) [1084017](#) [802-10-012-10-002000](#) [1112640](#) [1112639](#) [000-34000](#) [0009482033](#) [0009507031](#) [57102-S06-03LF](#) [57202-S52-04LF](#) [PCN6-15S-2.5E](#) [0039019024](#) [58102-G61-06LF](#) [582553-1](#) [0009485154](#) [0009508121](#) [0022285053](#) [0050291907](#) [018731A](#) [LY20-4P-DT1-P1E-BR](#) [02.125.8002.8](#) [60101931](#) [60598-1 \(Cut Strip\)](#) [M1625-3R/100](#) [61062-3](#) [61082-181009](#) [636-1427](#) [638009-1](#) [641938-9](#) [641991-4](#) [644168-1](#) [647662-1](#) [65039-019ELF](#) [65817-002LF](#) [65817-015LF](#) [65863-015LF](#) [66207-023LF](#) [67016-026LF](#) [67046-001LF](#) [67095-007LF](#) [67230-005LF](#)