

PSR-SCP- 24DC/ESP4/2X1/1X2

Order No.: 2981020




<http://eshop.phoenixcontact.co.uk/phoenix/treeViewClick.do?UID=2981020>

Safety relay for SIL 3 high and low demand applications, also approved according to EN 50156, Germanischer Lloyd and EN ISO 13849, emergency stop and safety door monitoring, single-channel, 2 enabling current paths, 1 alarm contact, plug-in terminal blocks, width: 22.5 mm



Commercial data

EAN	 4 017918 911065
Pack	1
Customs tariff	85364900
Country of Origin	DE
Catalog page information	Page 39 (IF-2011)

Product notes

WEEE/RoHS-compliant since:
28/08/2006



Please note that the data given here has been taken from the online catalog. For comprehensive information and data, please refer to the user documentation at <http://www.download.phoenixcontact.com>. The General Terms and Conditions of Use apply to Internet downloads.

Technical data

Input data

Nominal input voltage U_N	24 V DC
Input voltage range in reference to U_N	0.85 ... 1.1
Typical input current at U_N	50 mA DC

Typical inrush current	< 1 A
Voltage at input/start and feedback circuit	24 V DC
Typical response time	60 ms (Automatic/manual start)
Typical release time	20 ms
Recovery time	Approx. 1 s

Output data

Contact type	2 enabling current paths, 1 signaling current path (type B according to EN 50205)
Contact material	AgSnO ₂ , gold-flashed
Maximum switching voltage	250 V AC/DC
Minimum switching voltage	10 V
Limiting continuous current	6 A (N/O contact/N/C contact, high demand) 4 A (N/O contact/N/C contact, low demand)
Maximum inrush current	6 A
Inrush current, minimum	10 mA
Sq. Total current	$72 \text{ A}^2 (I_{TH}^2 = I_1^2 + I_2^2)$
Interrupting rating (ohmic load) max.	144 W (24 V DC, $\tau = 0 \text{ ms}$) 200 W (48 V DC, $\tau = 0 \text{ ms}$) 77 W (110 V DC, $\tau = 0 \text{ ms}$) 70 W (220 V DC, $\tau = 0 \text{ ms}$) 1500 VA (250 V AC, $\tau = 0 \text{ ms}$)
Maximum interrupting rating (inductive load)	42 W (24 V DC, $\tau = 40 \text{ ms}$) 40 W (48 V DC, $\tau = 40 \text{ ms}$) 35 W (110 V DC, $\tau = 40 \text{ ms}$) 33 W (220 V DC, $\tau = 40 \text{ ms}$)
Switching capacity min.	0.2 W
Output fuse	6 A gL/gG NEOZED (High demand) 4 A gL/gG NEOZED (Low demand)

General data

Width	22.5 mm
Height	99 mm
Depth	114.5 mm
Ambient temperature (operation)	-20 °C ... 55 °C
Ambient temperature (storage/transport)	-40 °C ... 70 °C
Relay type	Electromechanically forcibly guided, dust-proof relay.

Mechanical service life	Approx. 10^7 cycles
Mounting position	On horizontal and vertical DIN rail
Category according to EN 13849-1	4
Stop category	0
Name	Air and creepage distances between the power circuits
Standards/regulations	DIN EN 50178/VDE 0160
Rated surge voltage / insulation	6 kV / Safe isolation, increased insulation
Rated insulation voltage	250 V
Pollution degree	2
Surge voltage category	III
Housing material	Polyamide PA non-reinforced

Connection data

Conductor cross section solid min.	0.2 mm ²
Conductor cross section solid max.	2.5 mm ²
Conductor cross section stranded min.	0.2 mm ²
Conductor cross section stranded max.	2.5 mm ²
Conductor cross section AWG/kcmil min.	24
Conductor cross section AWG/kcmil max	12
Stripping length	7 mm
Screw thread	M3
Connection method	Screw connection

Certificates

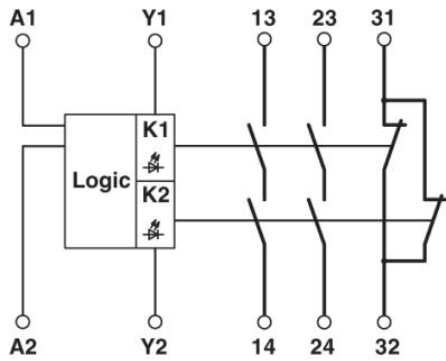


Certification

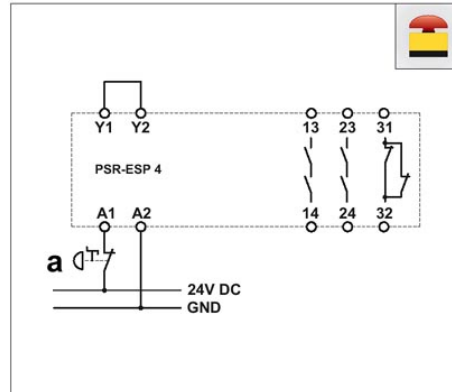
CUL Listed, GL, GOST, TUEV-RH, UL Listed

Drawings

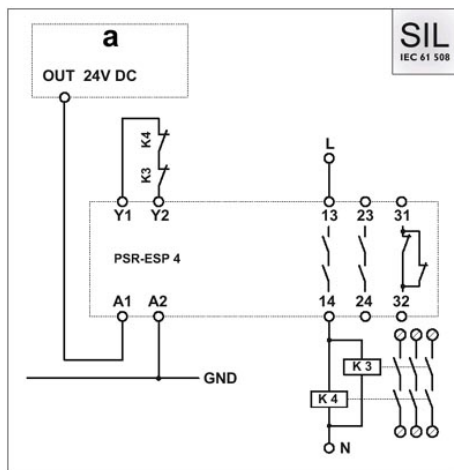
Circuit diagram



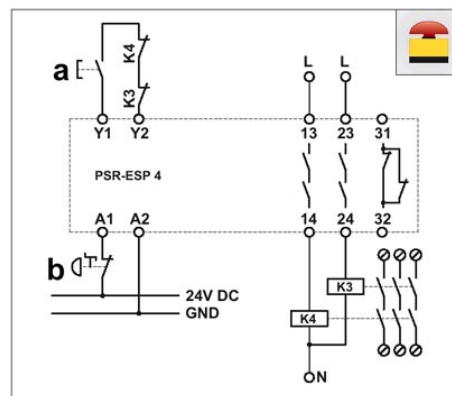
1 = logics



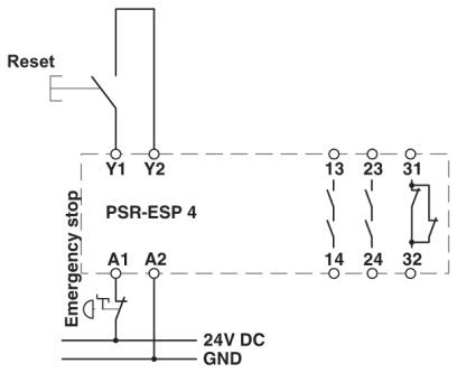
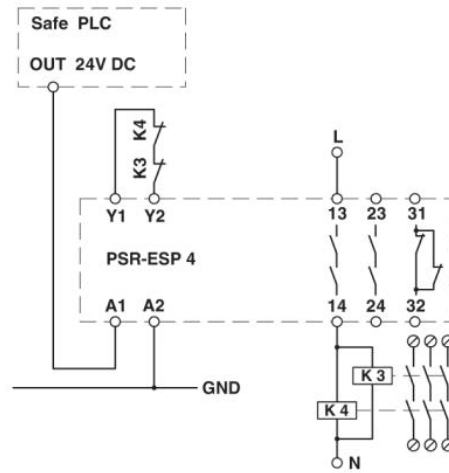
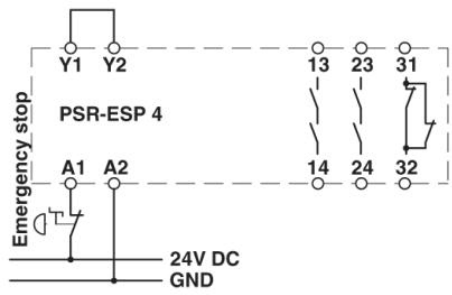
One-channel emergency stop circuit with automatic activation, suitable up to safety category 2.



One-channel evaluation of a safety controller with automatic activation, suitable up to SIL 3.



One-channel emergency stop circuit with manual activation and monitored contact expansion, suitable up to safety category 2.



Address

PHOENIX CONTACT Ltd
Halesfield 13
Telford / Shropshire / TF7 4PG,England
Phone 01952 681 700
Fax 01952 681 799
<http://www.phoenixcontact.co.uk>



Phoenix Contact Ltd.
Technical modifications reserved;

X-ON Electronics

Largest Supplier of Electrical and Electronic Components

Click to view similar products for [Safety Relays](#) category:

Click to view products by [Phoenix Contact](#) manufacturer:

Other Similar products are found below :

[7-1618103-5](#) [1351-1X](#) [1618089-2](#) [C200HDA003](#) [C200HMR432](#) [C200HMR832](#) [C200HMR833](#) [20-050-36X](#) [C500OD415CN](#) [2-1618068-0](#)
[25994](#) [9-1618103-2](#) [SP10-ETL01](#) [21-890](#) [3-1618060-0](#) [C200HNC112](#) [C200HOD214](#) [C500CN812N](#) [1100X](#) [1100-42X](#) [1-1618062-0](#) [6-](#)
[1618082-4](#) [7-1618103-6](#) [50.12.9.110.1000](#) [SP16DRD](#) [SP16DRA](#) [XPSAXE5120P](#) [XPSECPE5131P](#) [C500-CE243](#) [607.5111.020](#) [439390016](#)
[607.5111.009](#) [607.5111.010](#) [PSR-MM25-1NO-2DO-24DC-SC](#) [NXSL5500](#) [600PSR-165/300-CU](#) [SR4D4110](#) [J73KN-AM-22](#) [G7SA-3A1B](#)
[DC12](#) [G7SA-4A2B](#) [DC12](#) [G7SA-3A1B](#) [DC48](#) [G7SA-2A2B](#) [DC48](#) [ES-FA-9AA](#) [50.12.9.024.5000](#) [44510-2310](#) [V23047-A1036-A501](#) [44510-](#)
[1081](#) [44510-2021](#) [44510-2232](#) [WUF-12-5060-T](#)