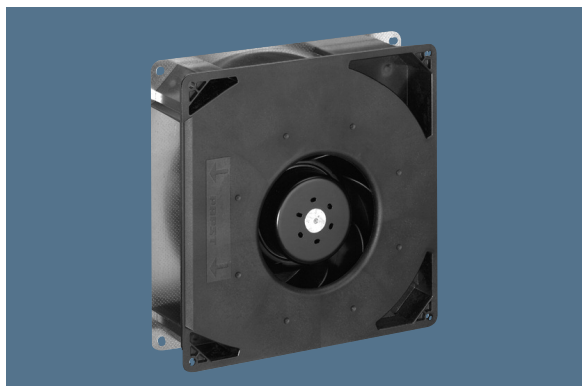


max. 209 m³/h

DC centrifugal fans

Series RG 160 N 220 x 220 x 56 mm



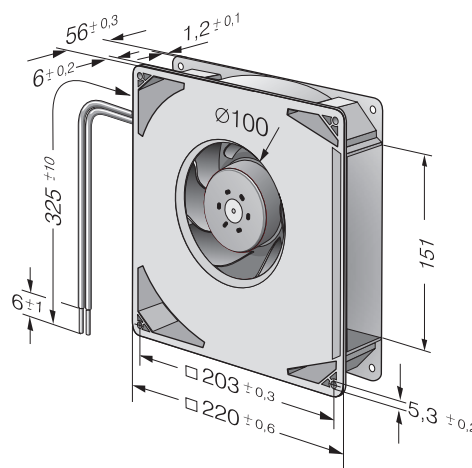
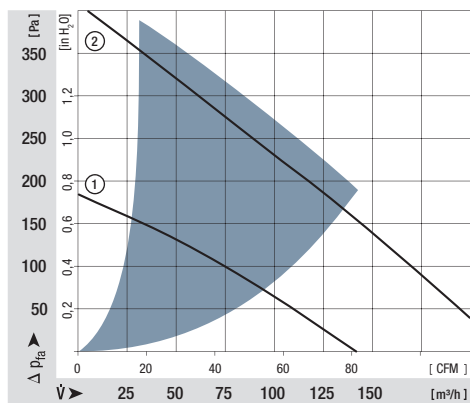
Highlights:

- Optional Vario-Pro: Highly adaptable software configuration of the fan enables a tailor-made solution to the specific requirements of your applications.
- Backward curved impeller.

General characteristics:

- Fibreglass-reinforced plastic scroll housing and impeller; Housing base of steel plate.
- Fully integrated electronic commutation.
- Protected against reverse polarity and locking.
- Direction of air flow: axial air intake, centrifugal air exhaust out of the outlet.
- Connection via single strands AWG 22, TR 64. Bared and tin-plated.
- 48 V Model: Flat plug 6.3 x 0.8 mm for protective earth.
- Mass: 1.4 kg.

Nominal data	Air flow		Nominal voltage	Voltage range	Sound power level	Sinter sleeve bearings Ball bearings	Power input	Nominal speed	Temperature range	Service life L ₁₀ (40 °C) ebm-papst Standard	Service life L ₁₀ (T _{max}) ebm-papst Standard	Life expectancy L ₁₀ ^Δ (40 °C) see P. 15	Curve	Specials
	m ³ /h	CFM												
RG 160-28/12 NM	139	81,1	12	7...14	5,6	■	7,5	1 900	-20...+70	80 000 / 40 000	160 000	1		
RG 160-28/12 N	209	123,0	12	7,5...14	6,6	■	21,0	2 850	-20...+70	70 000 / 35 000	140 000	2	/12	
RG 160-28/14 NM	139	81,1	24	12...28	5,6	■	7,0	1 900	-20...+70	80 000 / 40 000	120 000	1		
RG 160-28/14 N	209	123,0	24	12...28	6,6	■	20,0	2 850	-20...+70	70 000 / 35 000	120 000	2		
RG 160-28/18 N	209	123,0	48	28...60	6,6	■	20,0	2 850	-20...+70	70 000 / 35 000	120 000	2	/12	



X-ON Electronics

Largest Supplier of Electrical and Electronic Components

Click to view similar products for [AC Fans](#) category:

Click to view products by [ebm papst](#) manufacturer:

Other Similar products are found below :

[M2E068-DF13-79](#) [F1238H24B-FHR](#) [8850A](#) [G9225S05B2-FSR](#) [A2D200-AA04-41](#) [A2E165-AA17-01](#) [R2D140-AB02-14](#) [R4D310-AS18-01](#)
[R4D400-AD22-06](#) [R4E180-AS11-09](#) [AD0912HB-A7BGL](#) [1500-FAN-01](#) [25.001.1856.0](#) [25.320.1153.1](#) [25.320.1353.1](#) [25.320.4753.1](#)
[25.320.5453.1](#) [25.330.1353.1](#) [25.330.4853.1](#) [25.330.5153.1](#) [25.330.5353.1](#) [25.340.1053.1](#) [25.350.5253.0](#) [25.600.4053.0](#) [272DL-2LP11-000](#)
[S2E250-AL06-70](#) [A2D210-AB10-05](#) [A2D240-AA02-02](#) [A2D250-AE22-06](#) [A2E170-AF23-01](#) [F1238S24BT-FSR](#) [25.000.1856.0](#)
[25.000.2056.0](#) [25.010.1856.0](#) [25.220.3953.1](#) [25.332.2453.1](#) [25.340.0453.1](#) [25.345.5353.0](#) [25.352.1853.0](#) [281DS-2LP11-000B](#) [281DY-](#)
[1LP14-000B](#) [298DM-2LP11-000](#) [298DS-2LP11-000A](#) [R2S150-AD08-09](#) [344DY-1LP11-000](#) [39.703.0253.0](#) [USTF1203224VHW](#)
[3G2C7MC224](#) [W2D200-HH04-07](#) [W2D300-CP02-48](#)