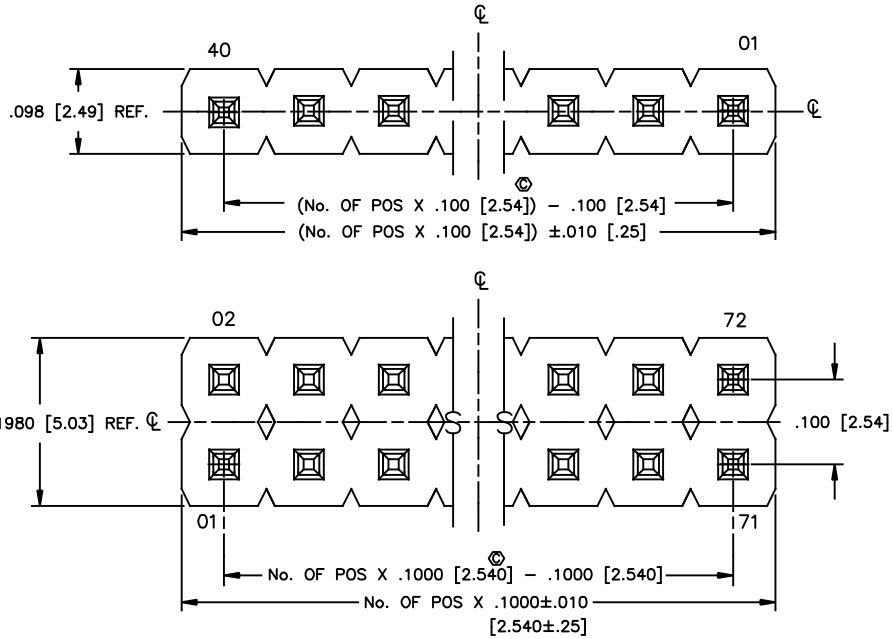


DO NOT SCALE FROM THIS PRINT.

DIMENSIONS ARE IN INCHES UNLESS OTHERWISE NOTED TOLERANCES ARE:
 ONE PLACE DECIMALS ± .1 [3] THREE PLACE DECIMALS ± .005 [.13]
 TWO PLACE DECIMALS ± .01 [.3] FOUR PLACE DECIMALS ± .0020 [.051]

TITLE: MODIFIED LOW PROFILE TERMINAL ASSEMBLY
 DWG NO: MTLW-1XX-XX-XX-X-XXX-XX-XX
 SHEET 1 OF 2



MTLW-1XX-XX-XX-X-XXX-XX-XX

No. OF POSITIONS
 -01 THRU -40 (SINGLE)
 -01 THRU -36 (DOUBLE)

LEAD STYLE
 SEE TABLE 1

OPTION #2
 -POLARIZING SPEC.
 XX INDICATES POS. TO BE OMITTED

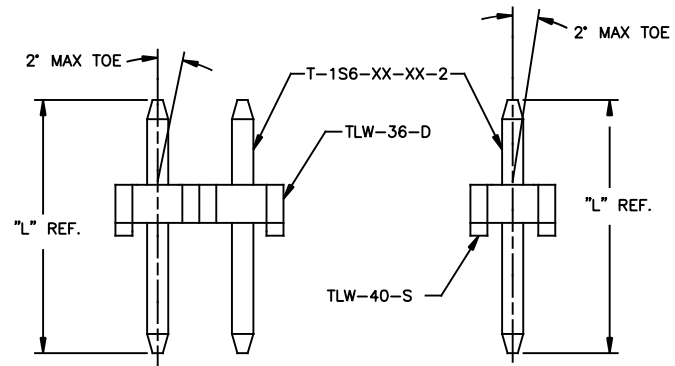
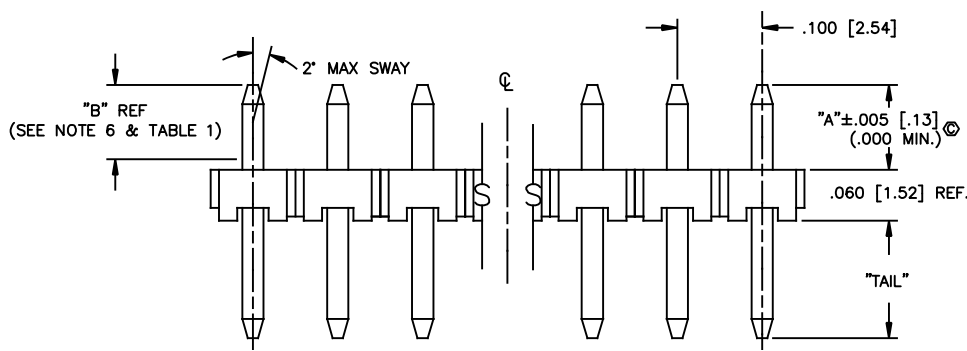
OPTION #1
 -BLANK=STRAIGHT
 -LL: LOCKING LEADS (SEE FIG 1, SHT2)
 (TAIL: MIN OF .090 [2.29], MAX OF .310 [7.87])

POST HEIGHT
 XXX= (.000) MIN - (L-.060) MAX
 (SEE TABLE 1 "A" FOR .090 TAIL REF)

ROW SPECIFICATION
 -S: SINGLE
 -D: DOUBLE

PLATING SPECIFICATION

- G: GOLD, 10 Au / 50 Ni MIN ON CONTACT, 3 Au / 50 Ni MIN ON TAIL
- T: MATTE TIN CONTACT AND TAIL
- S: SELECTIVE, 30 Au / 50 Ni MIN ON CONTACT, MATTE TIN TAIL
- H: HEAVY GOLD, 30 Au / 50 Ni MIN ON CONTACT, 3 Au / 50 Ni MIN ON TAIL
- F: FLASH SELECTIVE, 3 Au / 50 Ni MIN ON CONTACT, MATTE TIN TAIL
- L: LIGHT SELECTIVE, 10 Au / 50 Ni ON CONTACT, MATTE TIN TAIL
- TM: MATTE TIN CONTACT AND TAIL
- SM: SELECTIVE, 30 Au / 50 Ni ON CONTACT, MATTE TIN TAIL
- LM: LIGHT SELECTIVE, 10 Au / 50 Ni MIN ON CONTACT, MATTE TIN TAIL
- FM: FLASH SELECTIVE, 3 Au / 50 Ni MIN ON CONTACT, MATTE TIN TAIL



NOTES:

- 1.) MAX ALLOWABLE BOW AFTER ASSEMBLY: .005 [.13] IN/IN.
- 2.) TERMINAL PUSHOUT FORCE: 2 lbs. MIN.
- 3.) MAX PIN ROTATION IN BODY: 2'.
- 4.) ⊙ REPRESENTS A CRITICAL DIMENSION
- 5.) MAX CUT FLASH .010 [.25].
- 6.) GOLD CONTACT AREA LOCATION FOR G, H, S, L, & F PLATINGS.
- 7.) ORIENTATE PINS TO REDUCE THE NUMBER OF BANDOLIERS MARKS IN THE POST AREA. (SEE TABLE 2)

TABLE 1

LEAD STYLE	TERMINAL	"L"	"A" (FOR .090 [2.29] TAIL)	"B"
-05	T-1S6-21-XX-2	.335 [8.51]	.185 [4.70]	.050 [1.27]
-06	T-1S6-18-XX-2	.300 [7.62]	.150 [3.81]	.050 [1.27]
-07	T-1S6-07-XX-2	.430 [10.92]	.280 [7.11]	.165 [4.19]
-08	T-1S6-08-XX-2	.530 [13.46]	.380 [9.65]	.165 [4.19]
-09	T-1S6-09-XX-2	.730 [18.54]	.580 [14.73]	.165 [4.19]
-10	T-1S6-10-XX-2	.830 [21.08]	.680 [17.27]	.165 [4.19]
-22	T-1S6-15-XX-2	.630 [16.00]	.480 [12.19]	.165 [4.19]
-23	T-1S6-16-XX-2	.445 [11.30]	.295 [7.49]	.165 [4.19]
-24	T-1S6-17-XX-2	.480 [12.19]	.330 [8.38]	.165 [4.19]

ASSEMBLY OPERATION	IN-PROCESS INSPECTION
FILL	*C1, C5
2ND PRESS	*C1
REPRESS	*C1
CRIMP	C4
MULTI CUT	C2, C3

* WHEREVER APPLIES

PROPRIETARY NOTE
 THIS DOCUMENT CONTAINS CONFIDENTIAL AND PROPRIETARY INFORMATION AND ALL DESIGN, MANUFACTURING, INSPECTION, USE, SAFETY, HEALTH AND HAZARD WARNINGS ARE EXPRESSLY NOTICED BY SAMTEC, INC. THIS DOCUMENT SHALL NOT BE REPRODUCED, IN WHOLE OR PART, IN ANY MANNER WITHOUT THE EXPRESS WRITTEN CONSENT OF SAMTEC, INC.

MATERIAL:
 LCP, UL 94 VO
 COLOR: BLACK

TERMINALS:
 PHOSPHOR BRONZE ALLOY
 NO. 510, 3/4 HARD
 TENSILE RANGE 95-105 KSI

EXP/PROD/ASSEMBLY/100
MTLW

samtec

520 PARK EAST BLVD. NEW ALBANY, INDIANA 47150
 PHONE (812) 944-6733 P.O. BOX 1147
 CODE 55322

MADE BY: REIDINGER 6-5-91
 CHECKED BY: McCARTIN

ENG. APPROVAL
 DEM

MTLW-1XX-XX-XX-X-XXX-XX-XX
 SHEET 1 OF 2

X-ON Electronics

Largest Supplier of Electrical and Electronic Components

Click to view similar products for [Headers & Wire Housings](#) category:

Click to view products by [Samtec](#) manufacturer:

Other Similar products are found below :

[95000-104TRLF](#) [10135584-644402LF](#) [DF62W-EP2022PCA](#) [95000-106TRLF](#) [DF62W-2022SCA](#) [DF62W-EP2022PC](#) [2203348](#) [DF62W-2022SC](#) [1084018](#) [1029039](#) [1084017](#) [802-10-012-10-002000](#) [1112640](#) [1112639](#) [000-34000](#) [0009482033](#) [0009507031](#) [57102-S06-03LF](#) [57202-S52-04LF](#) [PCN6-15S-2.5E](#) [0039019024](#) [58102-G61-06LF](#) [582553-1](#) [0009508121](#) [0022285053](#) [0050291907](#) [018731A](#) [LY20-4P-DT1-P1E-BR](#) [02.125.8002.8](#) [60101931](#) [60598-1 \(Cut Strip\)](#) [M1625-3R/100](#) [61062-3](#) [61082-181009](#) [636-1427](#) [638009-1](#) [641938-9](#) [641991-4](#) [644168-1](#) [647662-1](#) [65039-019ELF](#) [65817-002LF](#) [65817-015LF](#) [65863-015LF](#) [66207-023LF](#) [67016-026LF](#) [67046-001LF](#) [67095-007LF](#) [67230-005LF](#) [68002-116](#)