

FEATURES

- SHIELDED POWER INDUCTOR
- SMALL SIZE WITH CURRENT RATINGS TO 5.2 AMPS)
- SURFACE MOUNTABLE CONSTRUCTION
- HIGH INDUCTANCE (UP TO 1000 μ H)
- TAPED AND REELED FOR AUTOMATIC INSERTION
- FOR USE IN DC/DC CONVERTERS

**RoHS
Compliant**
includes all homogeneous materials

*See Part Number System for Details



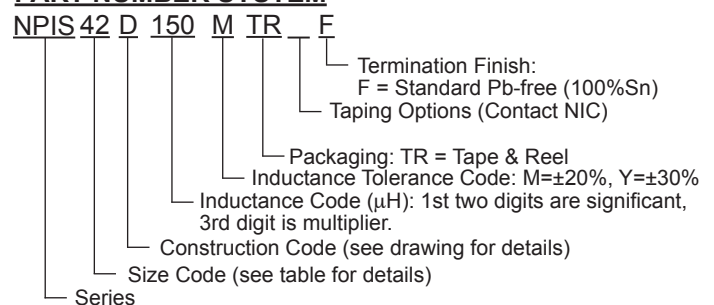
CHARACTERISTICS

| Case Size | NPIS20D | NPIS21D | NPIS24D | NPIS28D | NPIS33D | NPIS34D | NPIS35D |
|--|-----------------------|-------------------|------------------|------------------|------------------|------------------|------------------|
| Inductance Range | 1.2 ~ 10 μ H | 1.2 ~ 100 μ H | 1.5 ~ 12 μ H | 2.2 ~ 47 μ H | 2.7 ~ 39 μ H | 1.2 ~ 22 μ H | 1.5 ~ 33 μ H |
| Ambient Operating Temperature Range | -55°C ~ +85°C | | | | | | |
| Maximum Component Temperature (Ambient + Self-Heating) | +125°C | | | | | | |
| Temperature Rise at I _{rms} | +40°C max. | | | | | | |
| Inductance Change at I _{sat} | -35% typical | | | | | | |
| Inductance Tolerance | ±20% (M), ±30% (Y) | | | | | | |
| Resistance to Solder Heat | +250°C for 10 seconds | | | | | | |

| Case Size | NPIS36D | NPIS39D | NPIS42D | NPIS43D | NPIS52D | NPIS53D | NPIS63D | NPIS64D |
|--|-----------------------|------------------|-------------------|-------------------|-------------------|-------------------|-------------------|--------------------|
| Inductance Range | 1.5 ~ 47 μ H | 3.3 ~ 47 μ H | 1.0 ~ 180 μ H | 1.2 ~ 270 μ H | 3.3 ~ 220 μ H | 2.2 ~ 680 μ H | 3.3 ~ 680 μ H | 1.5 ~ 1000 μ H |
| Ambient Operating Temperature Range | -55°C ~ +85°C | | | | | | | |
| Maximum Component Temperature (Ambient + Self-Heating) | +125°C | | | | | | | |
| Temperature Rise at I _{rms} | +40°C max | | | | | | | |
| Inductance Change at I _{sat} | -35% typical | | | | | | | |
| Inductance Tolerance | ±20% (M), ±30% (Y) | | | | | | | |
| Resistance to Solder Heat | +250°C for 10 seconds | | | | | | | |

| Case Size | NPIS83D | NPIS84D | NPIS85D |
|--|-----------------------|-------------------|-------------------|
| Inductance Range | 2.5 ~ 100 μ H | 1.8 ~ 100 μ H | 2.0 ~ 100 μ H |
| Ambient Operating Temperature Range | -55°C ~ +85°C | | |
| Maximum Component Temperature (Ambient + Self-Heating) | +125°C | | |
| Temperature Rise at I _{rms} | +40°C max | | |
| Inductance Change at I _{sat} | -35% typical | | |
| Inductance Tolerance | ±20% (M), ±30% (Y) | | |
| Resistance to Solder Heat | +250°C for 10 seconds | | |

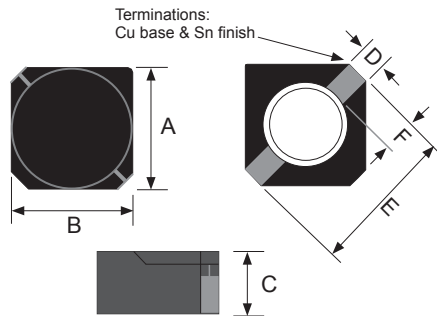
PART NUMBER SYSTEM



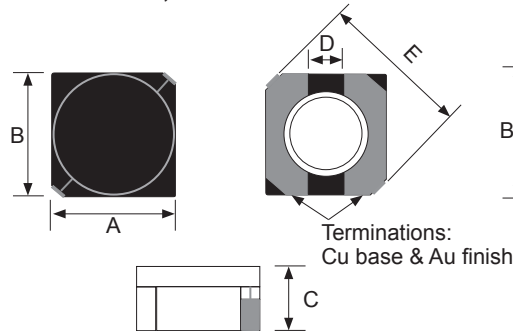
DIMENSIONS (mm)

| Series | A | B | C | D typ. | E | F typ. |
|---------|-----------|-----------|-----------|--------|-----------|--------|
| NPIS20D | 3.0 ± 0.3 | 3.0 ± 0.3 | 0.9 ± 0.2 | 1.2 | 3.9 ± 0.5 | 1.2 |
| NPIS21D | 3.0 ± 0.3 | 3.0 ± 0.3 | 1.1 ± 0.2 | 1.2 | 3.9 ± 0.5 | 1.2 |
| NPIS24D | 3.0 ± 0.3 | 3.0 ± 0.3 | 1.4 ± 0.2 | 1.2 | 3.9 ± 0.5 | 1.2 |
| NPIS28D | 3.0 ± 0.3 | 3.0 ± 0.3 | 1.9 ± 0.2 | 1.2 | 3.9 ± 0.5 | 1.2 |
| NPIS33D | 3.9 ± 0.3 | 3.9 ± 0.3 | 1.1 ± 0.2 | 1.4 | 5.0 ± 0.5 | 1.4 |
| NPIS34D | 3.9 ± 0.3 | 3.9 ± 0.3 | 1.4 ± 0.2 | 1.4 | 5.0 ± 0.5 | 1.4 |
| NPIS35D | 3.9 ± 0.3 | 3.9 ± 0.3 | 1.6 ± 0.2 | 1.4 | 5.0 ± 0.5 | 1.4 |
| NPIS36D | 3.9 ± 0.3 | 3.9 ± 0.3 | 1.9 ± 0.2 | 1.4 | 5.0 ± 0.5 | / |
| NPIS39D | 3.9 ± 0.3 | 3.9 ± 0.3 | 3.0 ± 0.2 | 1.2 | 5.0 ± 0.5 | / |
| NPIS42D | 4.7 ± 0.3 | 4.7 ± 0.3 | 1.8 ± 0.2 | 1.4 | 6.4 ± 0.5 | / |
| NPIS43D | 4.7 ± 0.3 | 4.7 ± 0.3 | 2.8 ± 0.2 | 1.4 | 6.4 ± 0.5 | / |
| NPIS52D | 5.7 ± 0.3 | 5.7 ± 0.3 | 1.8 ± 0.2 | 1.8 | 7.7 ± 0.5 | / |
| NPIS53D | 5.7 ± 0.3 | 5.7 ± 0.3 | 2.8 ± 0.2 | 1.8 | 7.7 ± 0.5 | / |
| NPIS63D | 6.7 ± 0.3 | 6.7 ± 0.3 | 2.8 ± 0.2 | 2.0 | 9.0 ± 0.5 | / |
| NPIS64D | 6.7 ± 0.3 | 6.7 ± 0.3 | 3.8 ± 0.2 | 2.0 | 9.0 ± 0.5 | / |
| NPIS83D | 9.6 ± 0.5 | 8.0 ± 0.3 | 2.7 ± 0.3 | 8.3 | / | / |
| NPIS84D | 9.6 ± 0.5 | 8.0 ± 0.3 | 3.7 ± 0.3 | 8.3 | / | / |
| NPIS85D | 9.6 ± 0.5 | 8.0 ± 0.3 | 4.2 ± 0.3 | 8.3 | / | / |

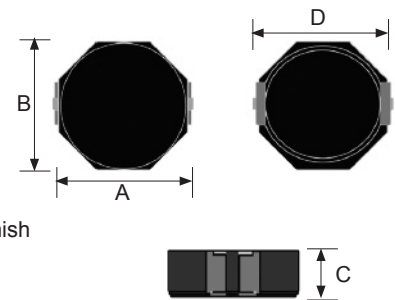
NPIS20D, 21D, 24D, 28D, 33D, 34D & 35D



NPIS36D, 39D, 42D, 43D, 52D, 53D, 63D & 64D



NPIS83D, 84D & 85D



| Part Number | Standard Values - Case Size 20 (3.3 x 3.3 x 1.1mm) | | | |
|----------------|--|---------------------|-------------------|-----------------------------|
| | Inductance Value (μH) | Test Conditions (L) | DC Resistance (Ω) | DC Current Isat/Irms (Amps) |
| NPIS20D1R2YTRF | 1.2 ± 30%* | 100KHz, 0.3V | 0.097 | 0.8 |
| NPIS20D1R5YTRF | 1.5 ± 30%* | 100KHz, 0.3V | 0.11 | 0.73 |
| NPIS20D1R8YTRF | 1.8 ± 30%* | 100KHz, 0.3V | 0.131 | 0.65 |
| NPIS20D2R2YTRF | 2.2 ± 30%* | 100KHz, 0.3V | 0.144 | 0.6 |
| NPIS20D2R5YTRF | 2.5 ± 30%* | 100KHz, 0.3V | 0.15 | 0.53 |
| NPIS20D3R0YTRF | 3.0 ± 30%* | 100KHz, 0.3V | 0.194 | 0.47 |
| NPIS20D3R9YTRF | 3.9 ± 30%* | 100KHz, 0.3V | 0.225 | 0.45 |
| NPIS20D4R7YTRF | 4.7 ± 30%* | 100KHz, 0.3V | 0.288 | 0.4 |
| NPIS20D5R6YTRF | 5.6 ± 30%* | 100KHz, 0.3V | 0.325 | 0.37 |
| NPIS20D6R8YTRF | 6.8 ± 30%* | 100KHz, 0.3V | 0.425 | 0.33 |
| NPIS20D8R2YTRF | 8.2 ± 30%* | 100KHz, 0.3V | 0.457 | 0.3 |
| NPIS20D100MTRF | 10 ± 20% | 1KHz, 0.3V | 0.538 | 0.28 |

Irms/Isat specification is based on +40°C temperature rise or -35% inductance change whichever is less.

*Also available in ± 20% tolerance (M)



| Part Number | Standard Values - Case Size 21 (3.3 x 3.3 x 1.3mm) | | | |
|----------------|--|---------------------|----------------------------|-----------------------------|
| | Inductance Value (μ H) | Test Conditions (L) | DC Resistance (Ω) | DC Current Isat/Irms (Amps) |
| NPIS21D1R2YTRF | 1.2 \pm 30%* | 100KHz, 0.3V | 0.068 | 0.9 |
| NPIS21D2R2YTRF | 2.2 \pm 30%* | 100KHz, 0.3V | 0.098 | 0.78 |
| NPIS21D3R3YTRF | 3.3 \pm 30%* | 100KHz, 0.3V | 0.15 | 0.6 |
| NPIS21D4R7YTRF | 4.7 \pm 30%* | 100KHz, 0.3V | 0.17 | 0.5 |
| NPIS21D6R8YTRF | 6.8 \pm 30%* | 100KHz, 0.3V | 0.26 | 0.44 |
| NPIS21D100MTRF | 10 \pm 20% | 1KHz, 0.3V | 0.4 | 0.35 |
| NPIS21D150MTRF | 15 \pm 20% | 1KHz, 0.3V | 0.65 | 0.25 |
| NPIS21D220MTRF | 22 \pm 20% | 1KHz, 0.3V | 1 | 0.22 |
| NPIS21D330MTRF | 33 \pm 20% | 1KHz, 0.3V | 1.6 | 0.2 |
| NPIS21D470MTRF | 47 \pm 20% | 1KHz, 0.3V | 2 | 0.15 |

Irms/Isat specification is based on +40°C temperature rise or -35% inductance change whichever is less.

*Also available in \pm 20% tolerance (M)

| Part Number | Standard Values - Case Size 24 (3.3 x 3.3 x 1.55mm) | | | |
|----------------|---|---------------------|----------------------------|-----------------------------|
| | Inductance Value (μ H) | Test Conditions (L) | DC Resistance (Ω) | DC Current Isat/Irms (Amps) |
| NPIS24D1R5YTRF | 1.5 \pm 30%* | 100KHz, 0.3V | 0.063 | 1.8 |
| NPIS24D1R8YTRF | 1.8 \pm 30%* | 100KHz, 0.3V | 0.075 | 1.65 |
| NPIS24D2R2YTRF | 2.2 \pm 30%* | 100KHz, 0.3V | 0.094 | 1.5 |
| NPIS24D2R7YTRF | 2.7 \pm 30%* | 100KHz, 0.3V | 0.106 | 1.35 |
| NPIS24D3R3YTRF | 3.3 \pm 30%* | 100KHz, 0.3V | 0.125 | 1.2 |
| NPIS24D3R9YTRF | 3.9 \pm 30%* | 100KHz, 0.3V | 0.138 | 1.1 |
| NPIS24D4R7YTRF | 4.7 \pm 30%* | 100KHz, 0.3V | 0.169 | 1 |
| NPIS24D5R6YTRF | 5.6 \pm 30%* | 100KHz, 0.3V | 0.188 | 0.95 |
| NPIS24D6R8YTRF | 6.8 \pm 30%* | 100KHz, 0.3V | 0.213 | 0.85 |
| NPIS24D8R2YTRF | 8.2 \pm 30%* | 100KHz, 0.3V | 0.281 | 0.8 |
| NPIS24D100MTRF | 10 \pm 20% | 1KHz, 0.3V | 0.294 | 0.7 |
| NPIS24D120MTRF | 12 \pm 20% | 1KHz, 0.3V | 0.394 | 0.62 |

Irms/Isat specification is based on +40°C temperature rise or -35% inductance change whichever is less.

*Also available in \pm 20% tolerance (M)

| Part Number | Standard Values - Case Size 28 (3.2 x 3.2 x 2.1mm) | | | |
|----------------|--|---------------------|----------------------------|-----------------------------|
| | Inductance Value (μ H) | Test Conditions (L) | DC Resistance (Ω) | DC Current Isat/Irms (Amps) |
| NPIS28D2R2YTRF | 2.2 \pm 30%* | 100KHz, 0.3V | 0.041 | 0.85 |
| NPIS28D3R3YTRF | 3.3 \pm 30%* | 100KHz, 0.3V | 0.054 | 0.75 |
| NPIS28D4R7YTRF | 4.7 \pm 30%* | 100KHz, 0.3V | 0.078 | 0.63 |
| NPIS28D6R8YTRF | 6.8 \pm 30%* | 100KHz, 0.3V | 0.106 | 0.52 |
| NPIS28D100MTRF | 10 \pm 20% | 1KHz, 0.3V | 0.18 | 0.43 |
| NPIS28D150MTRF | 15 \pm 20% | 1KHz, 0.3V | 0.22 | 0.35 |
| NPIS28D220MTRF | 22 \pm 20% | 1KHz, 0.3V | 0.32 | 0.3 |
| NPIS28D330MTRF | 33 \pm 20% | 1KHz, 0.3V | 0.46 | 0.24 |
| NPIS28D470MTRF | 47 \pm 20% | 1KHz, 0.3V | 0.66 | 0.2 |

Irms/Isat specification is based on +40°C temperature rise or -35% inductance change whichever is less.

*Also available in \pm 20% tolerance (M)



| Part Number | Standard Values - Case Size 33 (4.2 x 4.2 x 1.3mm) | | | |
|----------------|--|---------------------|----------------------------|-----------------------------|
| | Inductance Value (μ H) | Test Conditions (L) | DC Resistance (Ω) | DC Current Isat/Irms (Amps) |
| NPIS33D2R7YTRF | 2.7 \pm 30%* | 100KHz, 0.3V | 0.078 | 0.5 |
| NPIS33D4R7YTRF | 4.7 \pm 30%* | 100KHz, 0.3V | 0.123 | 0.4 |
| NPIS33D6R8YTRF | 6.8 \pm 30%* | 100KHz, 0.3V | 0.18 | 0.34 |
| NPIS33D8R2YTRF | 8.2 \pm 30%* | 100KHz, 0.3V | 0.204 | 0.32 |
| NPIS33D100MTRF | 10 \pm 20% | 1KHz, 0.3V | 0.24 | 0.28 |
| NPIS33D120MTRF | 12 \pm 20% | 1KHz, 0.3V | 0.276 | 0.25 |
| NPIS33D150MTRF | 15 \pm 20% | 1KHz, 0.3V | 0.372 | 0.23 |
| NPIS33D180MTRF | 18 \pm 20% | 1KHz, 0.3V | 0.468 | 0.21 |
| NPIS33D220MTRF | 22 \pm 20% | 1KHz, 0.3V | 0.54 | 0.19 |
| NPIS33D270MTRF | 27 \pm 20% | 1KHz, 0.3V | 0.726 | 0.17 |
| NPIS33D330MTRF | 33 \pm 20% | 1KHz, 0.3V | 0.822 | 0.15 |
| NPIS33D390MTRF | 39 \pm 20% | 1KHz, 0.3V | 0.942 | 0.14 |

Irms/Isat specification is based on +40°C temperature rise or -35% inductance change whichever is less.

*Also available in \pm 20% tolerance (M)

| Part Number | Standard Values - Case Size 34 (4.2 x 4.2 x 1.6mm) | | | |
|----------------|--|---------------------|----------------------------|-----------------------------|
| | Inductance Value (μ H) | Test Conditions (L) | DC Resistance (Ω) | DC Current Isat/Irms (Amps) |
| NPIS34D1R2YTRF | 1.2 \pm 30%* | 100KHz, 0.3V | 0.045 | 2.15 |
| NPIS34D1R7YTRF | 1.7 \pm 30%* | 100KHz, 0.3V | 0.063 | 1.85 |
| NPIS34D2R2YTRF | 2.2 \pm 30%* | 100KHz, 0.3V | 0.069 | 1.6 |
| NPIS34D2R7YTRF | 2.7 \pm 30%* | 100KHz, 0.3V | 0.088 | 1.45 |
| NPIS34D3R3YTRF | 3.3 \pm 30%* | 100KHz, 0.3V | 0.1 | 1.35 |
| NPIS34D3R9YTRF | 3.9 \pm 30%* | 100KHz, 0.3V | 0.135 | 1.15 |
| NPIS34D4R7YTRF | 4.7 \pm 30%* | 100KHz, 0.3V | 0.15 | 1.1 |
| NPIS34D8R2YTRF | 8.2 \pm 30%* | 100KHz, 0.3V | 0.238 | 0.82 |
| NPIS34D100MTRF | 10 \pm 20% | 1KHz, 0.3V | 0.262 | 0.75 |
| NPIS34D120MTRF | 12 \pm 20% | 1KHz, 0.3V | 0.35 | 0.67 |
| NPIS34D150MTRF | 15 \pm 20% | 1KHz, 0.3V | 0.488 | 0.6 |
| NPIS34D220MTRF | 22 \pm 20% | 1KHz, 0.3V | 0.575 | 0.52 |

Irms/Isat specification is based on +40°C temperature rise or -35% inductance change whichever is less.

*Also available in \pm 20% tolerance (M)

| Part Number | Standard Values - Case Size 35 (4.2 x 4.2 x 1.8mm) | | | |
|----------------|--|---------------------|----------------------------|-----------------------------|
| | Inductance Value (μ H) | Test Conditions (L) | DC Resistance (Ω) | DC Current Isat/Irms (Amps) |
| NPIS35D1R5YTRF | 1.5 \pm 30%* | 100KHz, 0.3V | 0.052 | 1.55 |
| NPIS35D2R2YTRF | 2.2 \pm 30%* | 100KHz, 0.3V | 0.072 | 1.2 |
| NPIS35D3R3YTRF | 3.3 \pm 30%* | 100KHz, 0.3V | 0.085 | 1.1 |
| NPIS35D4R7YTRF | 4.7 \pm 30%* | 100KHz, 0.3V | 0.105 | 0.9 |
| NPIS35D6R8YTRF | 6.8 \pm 30%* | 100KHz, 0.3V | 0.17 | 0.73 |
| NPIS35D100MTRF | 10 \pm 20% | 1KHz, 0.3V | 0.21 | 0.55 |
| NPIS35D150MTRF | 15 \pm 20% | 1KHz, 0.3V | 0.295 | 0.45 |
| NPIS35D220MTRF | 22 \pm 20% | 1KHz, 0.3V | 0.43 | 0.4 |
| NPIS35D330MTRF | 33 \pm 20% | 1KHz, 0.3V | 0.66 | 0.32 |

Irms/Isat specification is based on +40°C temperature rise or -35% inductance change whichever is less.

*Also available in \pm 20% tolerance (M)



| Part Number | Standard Values - Case Size 36 (4.2 x 4.2 x 2.1mm) | | | |
|----------------|--|---------------------|----------------------------|-----------------------------|
| | Inductance Value (μ H) | Test Conditions (L) | DC Resistance (Ω) | DC Current Isat/Irms (Amps) |
| NPIS36D1R5YTRF | 1.5 \pm 30%* | 100KHz, 0.3V | 0.052 | 1.55 |
| NPIS36D2R2YTRF | 2.2 \pm 30%* | 100KHz, 0.3V | 0.072 | 1.2 |
| NPIS36D3R0YTRF | 3.0 \pm 30%* | 100KHz, 0.3V | 0.069 | 1.6 |
| NPIS36D3R3YTRF | 3.3 \pm 30%* | 100KHz, 0.3V | 0.085 | 1.1 |
| NPIS38D4R7YTRF | 4.7 \pm 30%* | 100KHz, 0.3V | 0.1075 | 1.35 |
| NPIS36D6R8YTRF | 6.8 \pm 30%* | 100KHz, 0.3V | 0.15 | 1.1 |
| NPIS36D100MTRF | 10 \pm 20% | 1KHz, 0.3V | 0.205 | 0.9 |
| NPIS36D150MTRF | 15 \pm 20% | 1KHz, 0.3V | 0.301 | 0.75 |
| NPIS36D220MTRF | 22 \pm 20% | 1KHz, 0.3V | 0.424 | 0.6 |
| NPIS36D330MTRF | 33 \pm 20% | 1KHz, 0.3V | 0.64 | 0.45 |
| NPIS36D470MTRF | 47 \pm 20% | 1KHz, 0.3V | 0.964 | 0.35 |

Irms/Isat specification is based on +40°C temperature rise or -35% inductance change whichever is less.

*Also available in \pm 20% tolerance (M)

| Part Number | Standard Values - Case Size 38 (4.2 x 4.2 x 3.2mm) | | | |
|----------------|--|---------------------|----------------------------|-----------------------------|
| | Inductance Value (μ H) | Test Conditions (L) | DC Resistance (Ω) | DC Current Isat/Irms (Amps) |
| NPIS39D3R3YTRF | 3.3 \pm 30%* | 100KHz, 0.3V | 0.0721 | 2 |
| NPIS39D4R7YTRF | 4.7 \pm 30%* | 100KHz, 0.3V | 0.0883 | 1.65 |
| NPIS39D6R8YTRF | 6.8 \pm 30%* | 100KHz, 0.3V | 0.119 | 1.24 |
| NPIS39D100MTRF | 10 \pm 20% | 1KHz, 0.3V | 0.145 | 1.05 |
| NPIS39D150MTRF | 15 \pm 20% | 1KHz, 0.3V | 0.213 | 0.9 |
| NPIS39D220MTRF | 22 \pm 20% | 1KHz, 0.3V | 0.335 | 0.76 |
| NPIS39D330MTRF | 33 \pm 20% | 1KHz, 0.3V | 0.481 | 0.58 |
| NPIS39D470MTRF | 47 \pm 20% | 1KHz, 0.3V | 0.599 | 0.48 |

Irms/Isat specification is based on +40°C temperature rise or -35% inductance change whichever is less.

*Also available in \pm 20% tolerance (M)

| Part Number | Standard Values - Case Size 42 (5.0 x 5.0 x 2.0mm) | | | |
|----------------|--|---------------------|----------------------------|-----------------------------|
| | Inductance Value (μ H) | Test Conditions (L) | DC Resistance (Ω) | DC Current Isat/Irms (Amps) |
| NPIS42D1R0YTRF | 1.0 \pm 30%* | 100KHz, 0.3V | 0.045 | 1.72 |
| NPIS42D2R2YTRF | 2.2 \pm 30%* | 100KHz, 0.3V | 0.075 | 1.32 |
| NPIS42D2R7YTRF | 2.7 \pm 30%* | 100KHz, 0.3V | 0.105 | 1.28 |
| NPIS42D3R3YTRF | 3.3 \pm 30%* | 100KHz, 0.3V | 0.11 | 1.04 |
| NPIS42D3R9YTRF | 3.9 \pm 30%* | 100KHz, 0.3V | 0.155 | 0.88 |
| NPIS42D4R7YTRF | 4.7 \pm 30%* | 100KHz, 0.3V | 0.162 | 0.84 |
| NPIS42D5R6YTRF | 5.6 \pm 30%* | 100KHz, 0.3V | 0.17 | 0.8 |
| NPIS42D6R8YTRF | 6.8 \pm 30%* | 100KHz, 0.3V | 0.19 | 0.76 |
| NPIS42D100MTRF | 10 \pm 20% | 1KHz, 0.3V | 0.2 | 0.61 |
| NPIS42D120MTRF | 12 \pm 20% | 1KHz, 0.3V | 0.21 | 0.56 |
| NPIS42D150MTRF | 15 \pm 20% | 1KHz, 0.3V | 0.24 | 0.5 |
| NPIS42D180MTRF | 18 \pm 20% | 1KHz, 0.3V | 0.338 | 0.48 |
| NPIS42D220MTRF | 22 \pm 20% | 1KHz, 0.3V | 0.397 | 0.41 |
| NPIS42D270MTRF | 27 \pm 20% | 1KHz, 0.3V | 0.441 | 0.35 |
| NPIS42D330MTRF | 33 \pm 20% | 1KHz, 0.3V | 0.694 | 0.32 |
| NPIS42D390MTRF | 39 \pm 20% | 1KHz, 0.3V | 0.709 | 0.3 |
| NPIS42D470MTRF | 47 \pm 20% | 1KHz, 0.3V | 0.922 | 0.28 |
| NPIS42D560MTRF | 56 \pm 20% | 1KHz, 0.3V | 1.08 | 0.26 |
| NPIS42D680MTRF | 68 \pm 20% | 1KHz, 0.3V | 1.3 | 0.24 |
| NPIS42D820MTRF | 82 \pm 20% | 1KHz, 0.3V | 1.56 | 0.22 |
| NPIS42D101MTRF | 100 \pm 20% | 1KHz, 0.3V | 1.73 | 0.2 |
| NPIS42D121MTRF | 120 \pm 20% | 1KHz, 0.3V | 2.39 | 0.18 |
| NPIS42D151MTRF | 150 \pm 20% | 1KHz, 0.3V | 2.67 | 0.15 |
| NPIS42D181MTRF | 180 \pm 20% | 1KHz, 0.3V | 4 | 0.14 |

Irms/Isat specification is based on +40°C temperature rise or -35% inductance change whichever is less.

*Also available in \pm 20% tolerance (M)

| Part Number | Standard Values - Case Size 43 (5.0 x 5.0 x 3.0mm) | | | |
|----------------|--|---------------------|----------------------------|-----------------------------|
| | Inductance Value (μ H) | Test Conditions (L) | DC Resistance (Ω) | DC Current Isat/Irms (Amps) |
| NPIS43D1R2YTRF | 1.2 \pm 30%* | 100KHz, 0.3V | 0.0242 | 2.56 |
| NPIS43D2R2YTRF | 2.2 \pm 30%* | 100KHz, 0.3V | 0.0313 | 2.04 |
| NPIS43D3R3YTRF | 3.3 \pm 30%* | 100KHz, 0.3V | 0.049 | 1.57 |
| NPIS43D4R7YTRF | 4.7 \pm 30%* | 100KHz, 0.3V | 0.072 | 1.32 |
| NPIS43D5R6YTRF | 5.6 \pm 30%* | 100KHz, 0.3V | 0.1009 | 1.17 |
| NPIS43D6R8YTRF | 6.8 \pm 30%* | 100KHz, 0.3V | 0.108 | 1.12 |
| NPIS43D8R2YTRF | 8.2 \pm 30%* | 100KHz, 0.3V | 0.118 | 1.04 |
| NPIS43D100MTRF | 10 \pm 20% | 1KHz, 0.3V | 0.128 | 1 |
| NPIS43D120MTRF | 12 \pm 20% | 1KHz, 0.3V | 0.132 | 0.84 |
| NPIS43D150MTRF | 15 \pm 20% | 1KHz, 0.3V | 0.149 | 0.76 |
| NPIS43D180MTRF | 18 \pm 20% | 1KHz, 0.3V | 0.165 | 0.72 |
| NPIS43D220MTRF | 22 \pm 20% | 1KHz, 0.3V | 0.235 | 0.7 |
| NPIS43D330MTRF | 33 \pm 20% | 1KHz, 0.3V | 0.331 | 0.56 |
| NPIS43D390MTRF | 39 \pm 20% | 1KHz, 0.3V | 0.384 | 0.5 |
| NPIS43D470MTRF | 47 \pm 20% | 1KHz, 0.3V | 0.587 | 0.48 |
| NPIS43D560MTRF | 56 \pm 20% | 1KHz, 0.3V | 0.624 | 0.41 |
| NPIS43D680MTRF | 68 \pm 20% | 1KHz, 0.3V | 0.699 | 0.35 |
| NPIS43D820MTRF | 82 \pm 20% | 1KHz, 0.3V | 0.915 | 0.32 |
| NPIS43D101MTRF | 100 \pm 20% | 1KHz, 0.3V | 1.02 | 0.29 |
| NPIS43D121MTRF | 120 \pm 20% | 1KHz, 0.3V | 1.27 | 0.27 |
| NPIS43D151MTRF | 150 \pm 20% | 1KHz, 0.3V | 1.35 | 0.24 |
| NPIS43D181MTRF | 180 \pm 20% | 1KHz, 0.3V | 1.54 | 0.22 |
| NPIS43D271MTRF | 270 \pm 20% | 1KHz, 0.3V | 1.95 | 0.16 |

Irms/Isat specification is based on +40°C temperature rise or -35% inductance change whichever is less.

*Also available in \pm 20% tolerance (M)

| Part Number | Standard Values - Case Size 52 (6.0 x 6.0 x 2.0mm) | | | |
|----------------|--|---------------------|----------------------------|-----------------------------|
| | Inductance Value (μ H) | Test Conditions (L) | DC Resistance (Ω) | DC Current Isat/Irms (Amps) |
| NPIS52D3R3YTRF | 3.3 \pm 30%* | 100KHz, 0.3V | 0.053 | 2 |
| NPIS52D4R7YTRF | 4.7 \pm 30%* | 100KHz, 0.3V | 0.06 | 1.9 |
| NPIS52D5R6YTRF | 5.6 \pm 30%* | 100KHz, 0.3V | 0.076 | 1.6 |
| NPIS52D6R8YTRF | 6.8 \pm 30%* | 100KHz, 0.3V | 0.105 | 1.4 |
| NPIS52D100MTRF | 10 \pm 20% | 1KHz, 0.3V | 0.124 | 1.2 |
| NPIS52D120MTRF | 12 \pm 20% | 1KHz, 0.3V | 0.153 | 1.1 |
| NPIS52D180MTRF | 18 \pm 20% | 1KHz, 0.3V | 0.21 | 0.85 |
| NPIS52D220MTRF | 22 \pm 20% | 1KHz, 0.3V | 0.29 | 0.8 |
| NPIS52D270MTRF | 27 \pm 20% | 1KHz, 0.3V | 0.33 | 0.75 |
| NPIS52D330MTRF | 33 \pm 20% | 1KHz, 0.3V | 0.386 | 0.65 |
| NPIS52D390MTRF | 39 \pm 20% | 1KHz, 0.3V | 0.52 | 0.57 |
| NPIS52D470MTRF | 47 \pm 20% | 1KHz, 0.3V | 0.595 | 0.54 |
| NPIS52D560MTRF | 56 \pm 20% | 1KHz, 0.3V | 0.665 | 0.5 |
| NPIS52D680MTRF | 68 \pm 20% | 1KHz, 0.3V | 0.84 | 0.43 |
| NPIS52D820MTRF | 82 \pm 20% | 1KHz, 0.3V | 0.978 | 0.41 |
| NPIS52D101MTRF | 100 \pm 20% | 1KHz, 0.3V | 1.2 | 0.36 |
| NPIS52D121MTRF | 120 \pm 20% | 1KHz, 0.3V | 1.5 | 0.33 |
| NPIS52D151MTRF | 150 \pm 20% | 1KHz, 0.3V | 1.71 | 0.31 |
| NPIS52D181MTRF | 180 \pm 20% | 1KHz, 0.3V | 3.38 | 0.21 |
| NPIS52D221MTRF | 220 \pm 20% | 1KHz, 0.3V | 4.34 | 0.18 |

Irms/Isat specification is based on +40°C temperature rise or -35% inductance change whichever is less.

*Also available in \pm 20% tolerance (M)

| Part Number | Standard Values - Case Size 53 (6.0 x 6.0 x 3.0mm) | | | |
|----------------|--|---------------------|----------------------------|-----------------------------|
| | Inductance Value (μ H) | Test Conditions (L) | DC Resistance (Ω) | DC Current Isat/Irms (Amps) |
| NPIS53D2R2YTRF | 2.2 \pm 30%* | 100KHz, 0.3V | 0.017 | 2.6 |
| NPIS53D3R3YTRF | 3.3 \pm 30%* | 100KHz, 0.3V | 0.029 | 2.4 |
| NPIS53D5R6MTRF | 5.6 \pm 20% | 100KHz, 0.3V | 0.045 | 1.9 |
| NPIS53D100MTRF | 10 \pm 20% | 1KHz, 0.3V | 0.065 | 1.3 |
| NPIS53D120MTRF | 12 \pm 20% | 1KHz, 0.3V | 0.076 | 1.2 |
| NPIS53D180MTRF | 18 \pm 20% | 1KHz, 0.3V | 0.11 | 1.0 |
| NPIS53D220MTRF | 22 \pm 20% | 1KHz, 0.3V | 0.122 | 0.9 |
| NPIS53D330MTRF | 33 \pm 20% | 1KHz, 0.3V | 0.189 | 0.75 |
| NPIS53D470MTRF | 47 \pm 20% | 1KHz, 0.3V | 0.25 | 0.62 |
| NPIS53D560MTRF | 56 \pm 20% | 1KHz, 0.3V | 0.305 | 0.58 |
| NPIS53D680MTRF | 68 \pm 20% | 1KHz, 0.3V | 0.355 | 0.52 |
| NPIS53D820MTRF | 82 \pm 20% | 1KHz, 0.3V | 0.463 | 0.46 |
| NPIS53D101MTRF | 100 \pm 20% | 1KHz, 0.3V | 0.52 | 0.42 |
| NPIS53D121MTRF | 120 \pm 20% | 1KHz, 0.3V | 0.56 | 0.40 |
| NPIS53D151MTRF | 150 \pm 20% | 1KHz, 0.3V | 0.68 | 0.35 |
| NPIS53D181MTRF | 180 \pm 20% | 1KHz, 0.3V | 0.93 | 0.32 |
| NPIS53D221MTRF | 220 \pm 20% | 1KHz, 0.3V | 1.15 | 0.30 |
| NPIS53D271MTRF | 270 \pm 20% | 1KHz, 0.3V | 1.56 | 0.27 |
| NPIS53D331MTRF | 330 \pm 20% | 1KHz, 0.3V | 1.98 | 0.25 |
| NPIS53D391MTRF | 390 \pm 20% | 1KHz, 0.3V | 2.5 | 0.22 |
| NPIS53D471MTRF | 470 \pm 20% | 1KHz, 0.3V | 2.7 | 0.20 |
| NPIS53D561MTRF | 560 \pm 20% | 1KHz, 0.3V | 3.12 | 0.18 |
| NPIS53D681MTRF | 680 \pm 20% | 1KHz, 0.3V | 4.15 | 0.16 |

Irms/Isat specification is based on +40°C temperature rise or -35% inductance change whichever is less.

*Also available in \pm 20% tolerance (M)

| Part Number | Standard Values - Case Size 63 (7.0 x 7.0 x 3.0mm) | | | |
|----------------|--|---------------------|----------------------------|-----------------------------|
| | Inductance Value (μ H) | Test Conditions (L) | DC Resistance (Ω) | DC Current Isat/Irms (Amps) |
| NPIS63D3R3YTRF | 3.3 \pm 30%* | 100KHz, 0.3V | 0.026 | 2.8 |
| NPIS63D4R7YTRF | 4.7 \pm 30%* | 100KHz, 0.3V | 0.031 | 2.4 |
| NPIS63D100MTRF | 10 \pm 20% | 1KHz, 0.3V | 0.065 | 1.7 |
| NPIS63D150MTRF | 15 \pm 20% | 1KHz, 0.3V | 0.084 | 1.4 |
| NPIS63D180MTRF | 18 \pm 20% | 1KHz, 0.3V | 0.095 | 1.32 |
| NPIS63D220MTRF | 22 \pm 20% | 1KHz, 0.3V | 0.128 | 1.2 |
| NPIS63D330MTRF | 33 \pm 20% | 1KHz, 0.3V | 0.165 | 0.97 |
| NPIS63D470MTRF | 47 \pm 20% | 1KHz, 0.3V | 0.238 | 0.8 |
| NPIS63D560MTRF | 56 \pm 20% | 1KHz, 0.3V | 0.277 | 0.73 |
| NPIS63D680MTRF | 68 \pm 20% | 1KHz, 0.3V | 0.304 | 0.65 |
| NPIS63D820MTRF | 82 \pm 20% | 1KHz, 0.3V | 0.39 | 0.6 |
| NPIS63D101MTRF | 100 \pm 20% | 1KHz, 0.3V | 0.535 | 0.54 |
| NPIS63D121MTRF | 120 \pm 20% | 1KHz, 0.3V | 0.75 | 0.51 |
| NPIS63D151MTRF | 150 \pm 20% | 1KHz, 0.3V | 0.95 | 0.47 |
| NPIS63D181MTRF | 180 \pm 20% | 1KHz, 0.3V | 1.2 | 0.41 |
| NPIS63D221MTRF | 220 \pm 20% | 1KHz, 0.3V | 1.5 | 0.37 |
| NPIS63D271MTRF | 270 \pm 20% | 1KHz, 0.3V | 1.7 | 0.33 |
| NPIS63D331MTRF | 330 \pm 20% | 1KHz, 0.3V | 2.15 | 0.28 |
| NPIS63D471MTRF | 470 \pm 20% | 1KHz, 0.3V | 3.15 | 0.21 |
| NPIS63D681MTRF | 680 \pm 20% | 1KHz, 0.3V | 5.15 | 0.2 |

Irms/Isat specification is based on +40°C temperature rise or -35% inductance change whichever is less.

*Also available in \pm 20% tolerance (M)

| Part Number | Standard Values - Case Size 64 (7.0 x 7.0 x 4.0mm) | | | |
|----------------|--|---------------------|----------------------------|-----------------------------|
| | Inductance Value (μ H) | Test Conditions (L) | DC Resistance (Ω) | DC Current Isat/Irms (Amps) |
| NPIS64D1R5YTRF | 1.5 \pm 30%* | 100KHz, 0.3V | 0.015 | 5.2 |
| NPIS64D3R3YTRF | 3.3 \pm 30%* | 100KHz, 0.3V | 0.02 | 3.5 |
| NPIS64D6R8YTRF | 6.8 \pm 30%* | 100KHz, 0.3V | 0.029 | 2.4 |
| NPIS64D100MTRF | 10 \pm 20% | 1KHz, 0.3V | 0.038 | 2 |
| NPIS64D120MTRF | 12 \pm 20% | 1KHz, 0.3V | 0.053 | 1.7 |
| NPIS64D150MTRF | 15 \pm 20% | 1KHz, 0.3V | 0.057 | 1.6 |
| NPIS64D180MTRF | 18 \pm 20% | 1KHz, 0.3V | 0.092 | 1.5 |
| NPIS64D220MTRF | 22 \pm 20% | 1KHz, 0.3V | 0.096 | 1.3 |
| NPIS64D270MTRF | 27 \pm 20% | 1KHz, 0.3V | 0.109 | 1.2 |
| NPIS64D330MTRF | 33 \pm 20% | 1KHz, 0.3V | 0.124 | 1.1 |
| NPIS64D390MTRF | 39 \pm 20% | 1KHz, 0.3V | 0.138 | 1 |
| NPIS64D470MTRF | 47 \pm 20% | 1KHz, 0.3V | 0.155 | 0.95 |
| NPIS64D560MTRF | 56 \pm 20% | 1KHz, 0.3V | 0.202 | 0.85 |
| NPIS64D680MTRF | 68 \pm 20% | 1KHz, 0.3V | 0.234 | 0.75 |
| NPIS64D820MTRF | 82 \pm 20% | 1KHz, 0.3V | 0.324 | 0.7 |
| NPIS64D101MTRF | 100 \pm 20% | 1KHz, 0.3V | 0.358 | 0.65 |
| NPIS64D121MTRF | 120 \pm 20% | 1KHz, 0.3V | 0.47 | 0.59 |
| NPIS64D151MTRF | 150 \pm 20% | 1KHz, 0.3V | 0.58 | 0.54 |
| NPIS64D181MTRF | 180 \pm 20% | 1KHz, 0.3V | 0.69 | 0.49 |
| NPIS64D221MTRF | 220 \pm 20% | 1KHz, 0.3V | 0.89 | 0.43 |
| NPIS64D271MTRF | 270 \pm 20% | 1KHz, 0.3V | 1.29 | 0.4 |
| NPIS64D331MTRF | 330 \pm 20% | 1KHz, 0.3V | 1.7 | 0.37 |
| NPIS64D391MTRF | 390 \pm 20% | 1KHz, 0.3V | 1.75 | 0.34 |
| NPIS64D471MTRF | 470 \pm 20% | 1KHz, 0.3V | 2.2 | 0.32 |
| NPIS64D561MTRF | 560 \pm 20% | 1KHz, 0.3V | 2.85 | 0.29 |
| NPIS64D681MTRF | 680 \pm 20% | 1KHz, 0.3V | 3.2 | 0.25 |
| NPIS64D821MTRF | 820 \pm 20% | 1KHz, 0.3V | 4.05 | 0.22 |
| NPIS64D102MTRF | 1000 \pm 20% | 1KHz, 0.3V | 5.7 | 0.2 |

Irms/Isat specification is based on +40°C temperature rise or -35% inductance change whichever is less.

*Also available in \pm 20% tolerance (M)

| Part Number | Standard Values - Case Size 83 (10.1 x 8.3 x 3.0mm) | | | |
|----------------|---|---------------------|----------------------------|-----------------------------|
| | Inductance Value (μ H) | Test Conditions (L) | DC Resistance (Ω) | DC Current Isat/Irms (Amps) |
| NPIS83D2R5YTRF | 2.5 \pm 30%* | 100KHz, 0.3V | 0.016 | 4.50 |
| NPIS83D3R3YTRF | 3.3 \pm 30%* | 100KHz, 0.3V | 0.018 | 4.00 |
| NPIS83D4R7YTRF | 4.7 \pm 30%* | 100KHz, 0.3V | 0.025 | 3.40 |
| NPIS83D100MTRF | 10 \pm 20% | 1KHz, 0.3V | 0.047 | 2.50 |
| NPIS83D150MTRF | 15 \pm 20% | 1KHz, 0.3V | 0.069 | 1.90 |
| NPIS83D220MTRF | 22 \pm 20% | 1KHz, 0.3V | 0.099 | 1.60 |
| NPIS83D330MTRF | 33 \pm 20% | 1KHz, 0.3V | 0.156 | 1.30 |
| NPIS83D470MTRF | 47 \pm 20% | 1KHz, 0.3V | 0.195 | 1.15 |
| NPIS83D680MTRF | 68 \pm 20% | 1KHz, 0.3V | 0.286 | 0.92 |
| NPIS83D101MTRF | 100 \pm 20% | 1KHz, 0.3V | 0.43 | 0.75 |

Irms/Isat specification is based on +40°C temperature rise or -35% inductance change whichever is less.

*Also available in \pm 20% tolerance (M)



| Part Number | Standard Values - Case Size 84 (10.1 x 8.3 x 4.0mm) | | | |
|----------------|---|---------------------|----------------------------|-----------------------------|
| | Inductance Value (μH) | Test Conditions (L) | DC Resistance (Ω) | DC Current Isat/Irms (Amps) |
| NPIS84D1R8YTRF | 1.8 \pm 30%* | 100KHz, 0.3V | 0.016 | 6.80 |
| NPIS84D2R5YTRF | 2.5 \pm 30%* | 100KHz, 0.3V | 0.018 | 6.00 |
| NPIS84D3R5YTRF | 3.5 \pm 30%* | 100KHz, 0.3V | 0.024 | 5.00 |
| NPIS84D4R7YTRF | 4.7 \pm 30%* | 100KHz, 0.3V | 0.029 | 4.40 |
| NPIS84D6R0YTRF | 6.0 \pm 30%* | 100KHz, 0.3V | 0.032 | 4.00 |
| NPIS84D100MTRF | 10 \pm 20% | 1KHz, 0.3V | 0.048 | 3.00 |
| NPIS84D150MTRF | 15 \pm 20% | 1KHz, 0.3V | 0.067 | 2.50 |
| NPIS84D220MTRF | 22 \pm 20% | 1KHz, 0.3V | 0.105 | 2.00 |
| NPIS84D330MTRF | 33 \pm 20% | 1KHz, 0.3V | 0.157 | 1.60 |
| NPIS84D470MTRF | 47 \pm 20% | 1KHz, 0.3V | 0.189 | 1.42 |
| NPIS84D680MTRF | 68 \pm 20% | 1KHz, 0.3V | 0.29 | 1.08 |
| NPIS84D101MTRF | 100 \pm 20% | 1KHz, 0.3V | 0.41 | 0.88 |

Irms/Isat specification is based on +40°C temperature rise or -35% inductance change whichever is less.

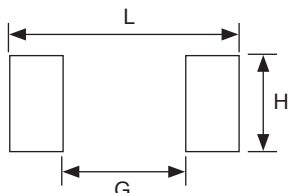
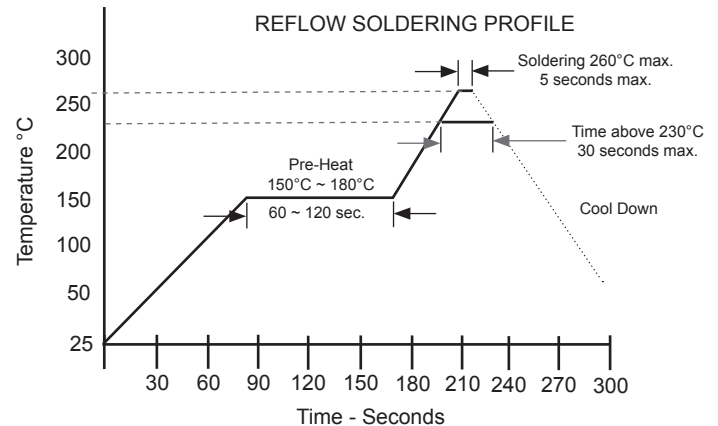
*Also available in \pm 20% tolerance (M)

| Part Number | Standard Values - Case Size 84 (10.1 x 8.3 x 4.5mm) | | | |
|----------------|---|---------------------|----------------------------|-----------------------------|
| | Inductance Value (μH) | Test Conditions (L) | DC Resistance (Ω) | DC Current Isat/Irms (Amps) |
| NPIS85D2R0YTRF | 2.0 \pm 30%* | 100KHz, 0.3V | 0.014 | 5.50 |
| NPIS85D3R9YTRF | 3.9 \pm 30%* | 100KHz, 0.3V | 0.019 | 4.50 |
| NPIS85D4R7YTRF | 4.7 \pm 30%* | 100KHz, 0.3V | 0.022 | 4.10 |
| NPIS85D6R8YTRF | 6.8 \pm 30%* | 100KHz, 0.3V | 0.025 | 3.90 |
| NPIS85D100MTRF | 10 \pm 20% | 1KHz, 0.3V | 0.036 | 3.20 |
| NPIS85D150MTRF | 15 \pm 20% | 1KHz, 0.3V | 0.053 | 2.30 |
| NPIS85D220MTRF | 22 \pm 20% | 1KHz, 0.3V | 0.075 | 1.80 |
| NPIS85D330MTRF | 33 \pm 20% | 1KHz, 0.3V | 0.125 | 1.40 |
| NPIS85D470MTRF | 47 \pm 20% | 1KHz, 0.3V | 0.15 | 1.30 |
| NPIS85D680MTRF | 68 \pm 20% | 1KHz, 0.3V | 0.24 | 1.00 |
| NPIS85D101MTRF | 100 \pm 20% | 1KHz, 0.3V | 0.36 | 0.80 |

Irms/Isat specification is based on +40°C temperature rise or -35% inductance change whichever is less.

*Also available in \pm 20% tolerance (M)

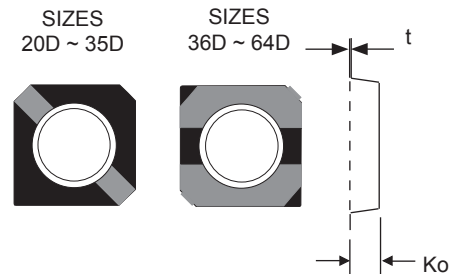
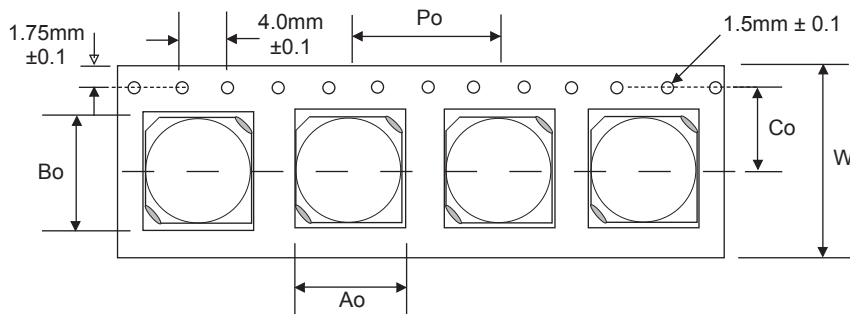
| Case Size | LAND PATTERN DIMENSIONS (mm) | | |
|-------------------------|------------------------------|-----|-----|
| | L | G | H |
| NPIS20D, 21D, 24D & 28D | 4.3 | 1.7 | 1.3 |
| NPIS33D, 34D, & 35D | 5.2 | 2.4 | 1.5 |
| NPIS36D & 39D | 4.5 | 1.1 | 4.5 |
| NPIS42D & 43D | 5.3 | 1.5 | 5.3 |
| NPIS52D & 53D | 6.2 | 2 | 6.3 |
| NPIS63D & 64D | 7.2 | 2 | 7.3 |
| NPIS83D, 84D & 85D | 10.1 | 6.1 | 2.8 |



| Case Size | Reel Qty | CARRIER TAPE DIMENSIONS (mm) | | | | | | | | |
|-----------|----------|------------------------------|------|-----|-----|------|-----|------|------|-----|
| | | W | A0 | B0 | Co | K0 | Po | t | | |
| NPIS20D | 3,000 | 12.0 | 3.5 | 3.5 | 5.5 | 1.4 | 8 | 0.3 | | |
| NPIS21D | 3,000 | | | | | 1.6 | | | | |
| NPIS24D | 3,000 | | | | | 1.6 | | | | |
| NPIS28D | 3,000 | | 4.3 | 4.3 | | 2.1 | | | | |
| NPIS33D | 3,000 | | | | | 2.1 | | | | |
| NPIS34D | 3,000 | | | | | | | | 3.3 | |
| NPIS35D | 3,000 | | | | | | | | | 2.2 |
| NPIS36D | 3,500 | | | | | | | | 3.2 | |
| NPIS39D | 2,000 | | | | | 6.2 | | | 6.2 | 3.4 |
| NPIS42D | 3,500 | | 5.4 | 5.4 | | 4.5 | | | | |
| NPIS43D | 2,500 | | | | | 7.4 | | | 7.4 | 3.5 |
| NPIS52D | 3,500 | | 6.2 | 6.2 | | | | | | 4.3 |
| NPIS53D | 2,500 | | | | | 10.5 | | | 10.5 | 4.3 |
| NPIS63D | 1,500 | 7.4 | 7.4 | 7.5 | 12 | | 0.4 | | | |
| NPIS64D | 1,000 | | | | | 16.0 | | 10.5 | 10.5 | 12 |
| NPIS83D | 1,000 | 10.5 | 10.5 | 7.5 | 12 | | 0.4 | | | |
| NPIS84D | 1,000 | | | | | 16.0 | | 10.5 | 10.5 | 12 |
| NPIS85D | 800 | 10.5 | 10.5 | 7.5 | 12 | | 0.4 | | | |

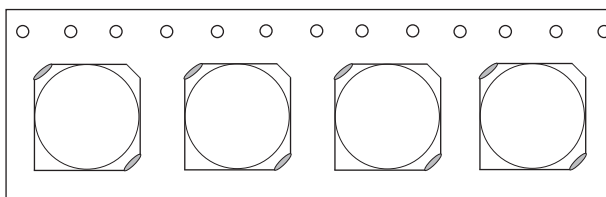
TRF
STANDARD COMPONENT ORIENTATION
(Contact NIC for Non-standard Options)

BOTTOM VIEW



BOTTOM VIEW

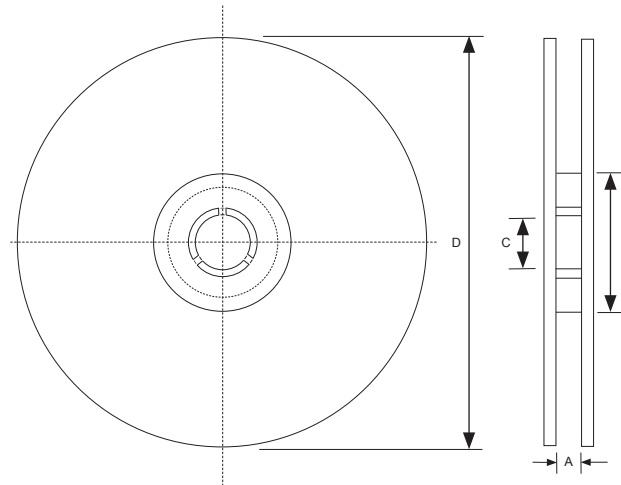
TRUF
OPTIONAL 180° COMPONENT ORIENTATION



SIZES
20D ~ 35D



| Tape Width | REEL DIMENSIONS (mm) | | | |
|------------|----------------------|--------|-----------|-------|
| | A(mm) | B(mm) | C(mm) | D(mm) |
| 12mm | 12.5 ±0.1 | 100 ±1 | 13.0 ±0.5 | 330 |
| 16mm | 16.5 ±0.1 | | | |



| Size | REEL QUANTITY (330mm Reel) | | | | | | | | |
|------------|----------------------------|---------|---------|---------|---------|---------|---------|---------|---------|
| | NPIS20D | NPIS21D | NPIS24D | NPIS28D | NPIS33D | NPIS34D | NPIS35D | NPIS36D | NPIS39D |
| Qty./Reel | 3000 | 3000 | 3000 | 3000 | 3000 | 3000 | 3000 | 3500 | 2000 |
| Tape Width | 12mm | 12mm | 12mm | 12mm | 12mm | 12mm | 12mm | 12mm | 12mm |

| Size | REEL QUANTITY (330mm Reel) | | | | | | | | |
|------------|----------------------------|---------|---------|---------|---------|---------|---------|---------|---------|
| | NPIS42D | NPIS43D | NPIS52D | NPIS53D | NPIS63D | NPIS64D | NPIS83D | NPIS84D | NPIS85D |
| Qty./Reel | 3500 | 2500 | 3500 | 2500 | 1500 | 1000 | 1000 | 1000 | 800 |
| Tape Width | 12mm | 12mm | 16mm | 16mm | 16mm | 16mm | 16mm | 16mm | 16mm |

X-ON Electronics

Largest Supplier of Electrical and Electronic Components

Click to view similar products for [nic manufacturer](#):

Other Similar products are found below :

[NMC0603NPO270J100TRPF](#) [NRE-S100M25V4X7F](#) [NMC-P1206X7R104K100TRPF](#) [NCC0805F261HTRF](#) [NRWA470M35V6.3X11TBF](#)
[NACE221M16V6.3X8TR13F](#) [NRSS332M50V18X35.5F](#) [NDTM106K25F1TRF](#) [NACZ221M50V10X10.5TR13F](#) [NCM15X7R103K50F](#)
[NRSS682M25V18X35.5F](#) [NEXC224Z5.5V10.5X8.5TRF](#) [NRLRW221M450V30X35SF](#) [NDTM225K50F2TRF](#) [NEXT105Z5.5V21.5X13F](#)
[NRSZ471M50V12.5X20F](#) [NTCL106K35TRDF](#) [NRWA331M25V10X12.5F](#) [NRSY472M25V16X31.5F](#) [NEXS105Z5.5V28.5X14F](#)
[NRLR181M400V25X30SF](#) [NRSZ102M25V12.5X20F](#) [NUVA33T385TRF](#) [NUVA33V405TRF](#) [NRLMW331M250V30X25F](#)
[NRLF103M25V35X20F](#) [NDTM106K35F](#) [NRLMW102M200V35X35F](#) [NPIS43LS220MTRF](#) [NACZ101M25V6.3X8TR13F](#) [NTC-](#)
[T475K50TRDF](#) [NCD222M1KVZ5UKF](#) [NRLR472M63V25X40SF](#) [NTP157M10TRD\(40\)F](#) [NPIM74C3R3MTRF](#) [NPI104C100MTRF](#)
[NRLM102M100V25X25F](#) [NAZT221M50V10X10.5LBF](#) [NACK102M10V 10X10.5TR13F](#) [NACZ221M35V8X10.5TR13F](#)
[NRWA101M10V5X11F](#) [NTC-T336K16TRCF](#) [NRWP102M16V10X12.5F](#) [NRLM822M50V30X35F](#) [NACE470M63V8X10.5TR13F](#)
[NCD4R7C1KVNPOF](#) [NRSZ152M35V 16X25F](#) [NRSH222M63V18X40F](#) [NRLM123M16V25X25F](#) [NRLMW103M50V35X40F](#)