

# 2M801 Dual-Start ACME Threads



## Ordering Guide for 2M801

| Series    | Shell Style | Service Class | Shell Size-Insert Arrg. | Contact Type | Alternate Position |
|-----------|-------------|---------------|-------------------------|--------------|--------------------|
| 2M801-0XX | -16         | NF            | 6-7                     | P            | A                  |

\*add "-501" to the suffix of Jam Nut version to include a Hex Nut instead of a Spanner Nut.

| SERIES    |                                    |
|-----------|------------------------------------|
| 2M801-007 | Plugs with Integral Backshell      |
| 2M801-008 | Plugs with Rear Accessory Thread   |
| 2M801-009 | Receptacle with Integral Backshell |
| 2M801-010 | Receptacle with Accessory Thread   |

| SHELL STYLE<br>2M801-007<br>2M801-008 |  |
|---------------------------------------|--|
| -16                                   | Plug with Anti-Decoupling Spring         |
| -26                                   | Self-Locking Plug with Ratchet Mechanism |
| SHELL STYLE<br>2M801-009<br>2M801-010 |  |
| -01                                   | In-Line                                  |
| -02                                   | Square Flange                            |
| -07                                   | Jam Nut*                                 |

| SERVICE CLASS |   |
|---------------|---|
|               | Finish                                      |
| C             | Aluminum/Black Anodize (Non-Conductive)     |
| M             | Aluminum/Electroless Nickel                 |
| NF            | Aluminum/Cadmium with Olive Drab Chromate   |
| MT            | Aluminum/Nickel-PTFE (Duralon)              |
| Z1            | Stainless Steel/Passivated                  |
| ZM            | Stainless Steel/Electroless Nickel          |
| ZN            | Aluminum/Zinc-Nickel w/ Olive Drab Chromate |
| ZNU           | Aluminum/Zinc-Nickel with Black Chromate    |

| SHELL SIZE - INSERT ARRANGEMENTS       |  |
|--|--|
| See Insert Arrangements on Pages 13-15 |  |

| CONTACTS |                       |
|----------|-----------------------|
| P        | Pin                   |
| S        | Socket                |
| A        | Pin, less contacts    |
| B        | Socket, less contacts |



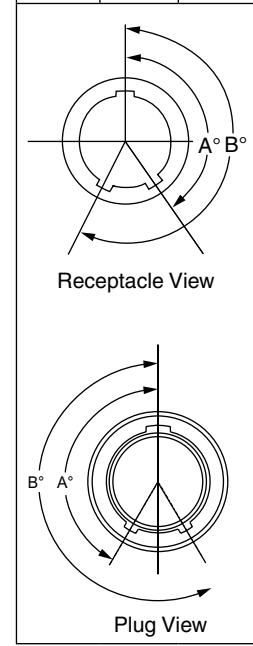
| KEYING |      |      |
|--------|------|------|
|        | A°   | B°   |
| A      | 150° | 210° |
| B      | 75°  | 210° |
| C      | 95°  | 230° |
| D      | 140° | 275° |
| E      | 75°  | 275° |
| F      | 95°  | 210° |

### INSERT ARRANGEMENTS

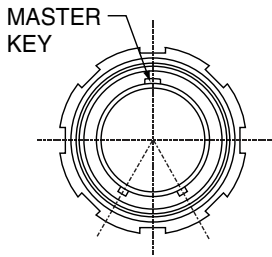
| Insert Arrg. | No. of Contacts |     |       |     |     |
|--------------|-----------------|-----|-------|-----|-----|
|              | #23             | #20 | #20HD | #16 | #12 |
| 5-3          | 3               |     |       |     |     |
| 6-1          |                 |     |       | 1   |     |
| 6-4          | 4               |     |       |     |     |
| 6-6          | 6               |     |       |     |     |
| 6-7          | 7               |     |       |     |     |
| 6-23         |                 |     | 3     |     |     |
| 7-1          |                 |     |       |     | 1   |
| 7-10         | 10              |     |       |     |     |
| 7-25         |                 |     | 5     |     |     |
| 8-2          |                 |     |       | 2   |     |
| 8-13         | 13              |     |       |     |     |
| 8-28         |                 |     | 8     |     |     |
| 8-200        | 4               | 2   |       |     |     |
| 9-4          |                 |     |       | 4   |     |
| 9-19         | 19              |     |       |     |     |
| 9-200        | 4               |     |       | 2   |     |
| 9-201        | 8               | 2   |       |     |     |
| 9-210        |                 |     | 10    |     |     |
| 10-2         |                 |     |       |     | 2   |
| 10-5         |                 |     |       | 5   |     |
| 10-26        | 26              |     |       |     |     |

### INSERT ARRANGEMENTS

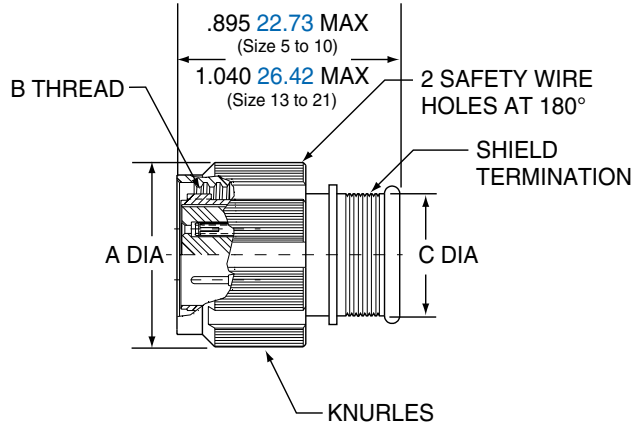
| Insert Arrg. | No. of Contacts |     |       |     |     |
|--------------|-----------------|-----|-------|-----|-----|
|              | #23             | #20 | #20HD | #16 | #12 |
| 10-200       | 12              |     |       |     | 1   |
| 10-201       | 4               |     |       |     | 2   |
| 10-202       | 8               |     |       | 2   |     |
| 13-2         |                 |     |       |     | 2   |
| 13-3         |                 |     |       |     | 3   |
| 13-7         |                 |     |       | 7   |     |
| 13-37        | 37              |     |       |     |     |
| 13-200       | 6               |     |       |     | 2   |
| 13-201       | 10              |     |       |     | 2   |
| 13-220       |                 |     | 20    |     |     |
| 16-5         |                 |     |       |     | 5   |
| 16-12        |                 |     |       | 12  |     |
| 16-55        | 55              |     |       |     |     |
| 16-235       |                 |     | 35    |     |     |
| 17-7         |                 |     |       |     | 7   |
| 17-14        |                 |     |       | 14  |     |
| 17-85        | 85              |     |       |     |     |
| 17-241       |                 |     | 41    |     |     |
| 21-12        |                 |     |       |     | 12  |
| 21-22        |                 |     |       | 22  |     |
| 21-130       | 130             |     |       |     |     |
| 21-269       |                 |     | 69    |     |     |



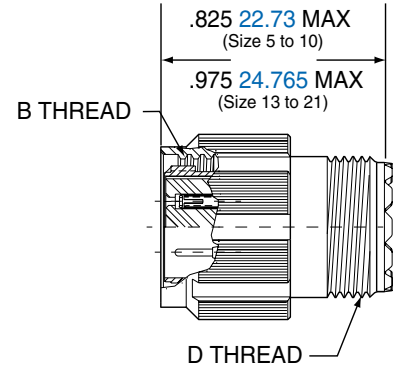
- Contacts & Tools
- 2M Specs
- 2M801
- 2M803
- 2M804
- 2M805
- 2M Filter & Accessories
- HD38999
- Micro-D
- Terrapin
- Nexus



**2M801-007-16  
2M801-007-26**



**2M801-008-16  
2M801-008-26**

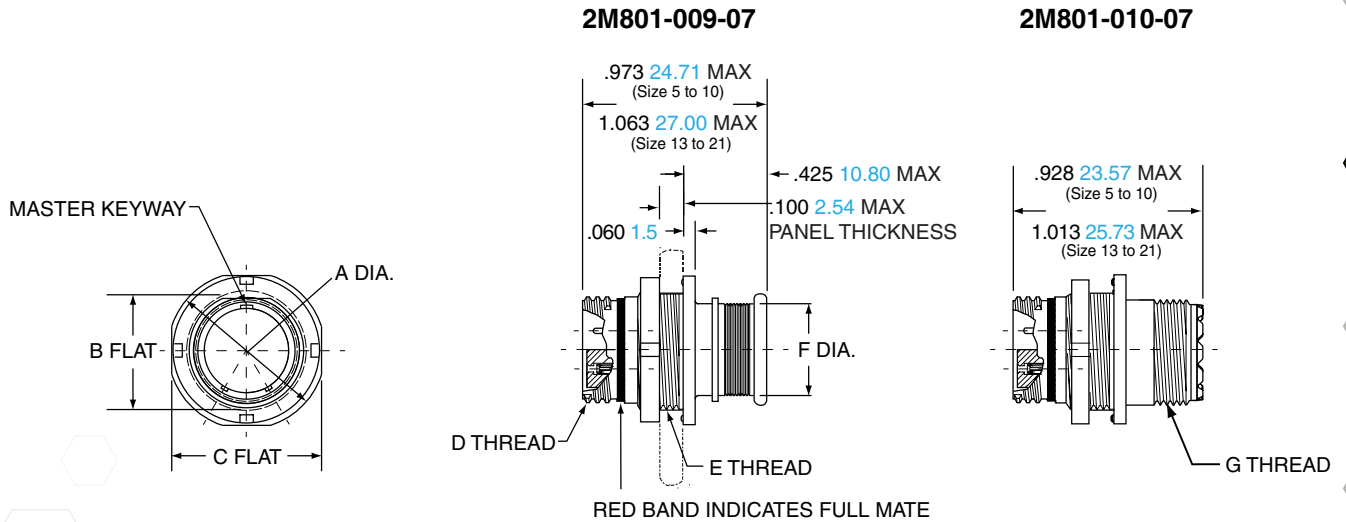


| Shell Size | Style 16 |       | Style 26 |       | B Thread          | C Dia. |       | D Thread UNEF-2A |
|------------|----------|-------|----------|-------|-------------------|--------|-------|------------------|
|            | A Dia.   |       | A Dia.   |       |                   | in.    | mm.   |                  |
|            | in.      | mm.   | in.      | mm.   |                   |        |       |                  |
| 5          | .545     | 13.84 | .660     | 16.76 | .3125-.05P-.1L-2B | .245   | 6.22  | .2500-32         |
| 6          | .610     | 15.49 | .710     | 18.03 | .3750-.05P-.1L-2B | .290   | 7.37  | .3125-32         |
| 7          | .695     | 17.65 | .790     | 20.07 | .4375-.05P-.1L-2B | .390   | 9.91  | .4375-28         |
| 8          | .750     | 19.05 | .860     | 21.84 | .5000-.05P-.1L-2B | .445   | 11.30 | .5000-28         |
| 9          | .810     | 20.57 | .920     | 23.37 | .5625-.05P-.1L-2B | .500   | 12.70 | .5625-24         |
| 10         | .890     | 22.61 | .985     | 25.02 | .6250-.05P-.1L-2B | .560   | 14.22 | .6250-24         |
| 13         | 1.060    | 26.92 | 1.150    | 29.21 | .8125-.1P-.2L-2B  | .650   | 16.51 | .6875-24         |
| 16         | 1.250    | 31.75 | 1.345    | 34.16 | 1.0000-.1P-.2L-2B | .805   | 20.45 | .9375-20         |
| 17         | 1.310    | 33.27 | 1.400    | 35.56 | 1.0625-.1P-.2L-2B | .850   | 21.59 | .9375-20         |
| 21         | 1.560    | 39.62 | 1.660    | 42.16 | 1.3125-.1P-.2L-2B | 1.135  | 28.83 | 1.1875-18        |

# 2M801 Dual-Start ACME Threads Jam Nut



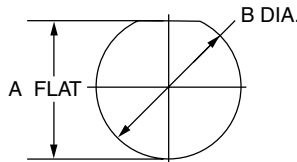
2M801-009-07 and 2M801-010-07

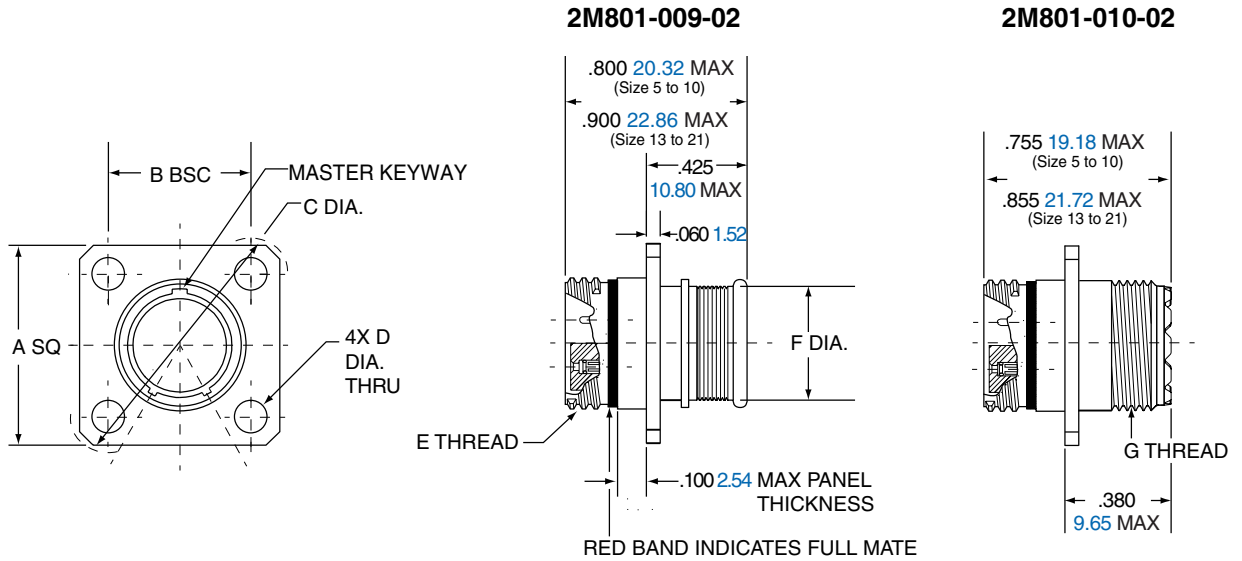


| Shell Size | A Dia. |       | B Flat |       | C Flat |       | D Thread          | E Thread         | F Dia. |       | G Thread<br>UNEF-2A |
|------------|--------|-------|--------|-------|--------|-------|-------------------|------------------|--------|-------|---------------------|
|            | in.    | mm.   | in.    | mm.   | in.    | mm.   |                   |                  | in.    | mm.   |                     |
| 5          | .575   | 14.61 | .350   | 8.89  | .545   | 13.84 | .3125-.05P-.1L-2A | .3750-28 UN-2A   | .245   | 6.22  | .2500-32            |
| 6          | .635   | 16.13 | .410   | 10.41 | .595   | 15.11 | .3750-.05P-.1L-2A | .4375-28 UNEF-2A | .290   | 7.37  | .3125-32            |
| 7          | .755   | 19.18 | .536   | 13.61 | .723   | 18.36 | .4375-.05P-.1L-2A | .5625-32 UN-2A   | .390   | 9.91  | .4375-28            |
| 8          | .755   | 19.18 | .536   | 13.61 | .723   | 18.36 | .5000-.05P-.1L-2A | .5625-32 UN-2A   | .445   | 11.30 | .5000-28            |
| 9          | .830   | 21.08 | .596   | 15.14 | .790   | 20.07 | .5625-.05P-.1L-2A | .6250-28 UN-2A   | .500   | 12.70 | .5625-24            |
| 10         | .890   | 22.61 | .658   | 16.71 | .855   | 21.72 | .6250-.05P-.1L-2A | .6875-28 UN-2A   | .560   | 14.22 | .6250-24            |
| 13         | 1.078  | 27.38 | .845   | 21.46 | 1.044  | 26.52 | .8125-.1P-.2L-2A  | .8750-28 UN-2A   | .650   | 16.51 | .6875-24            |
| 16         | 1.264  | 32.11 | 1.022  | 25.96 | 1.230  | 31.24 | 1.0000-.1P-.2L-2A | 1.0625-20 UN-2A  | .805   | 20.45 | .9375-20            |
| 17         | 1.325  | 33.66 | 1.096  | 27.84 | 1.290  | 32.77 | 1.0625-.1P-.2L-2A | 1.125-28 UN-2A   | .850   | 21.59 | .9375-20            |
| 21         | 1.625  | 41.28 | 1.347  | 34.16 | 1.577  | 40.06 | 1.3125-.1P-.2L-2A | 1.375-28 UN-2A   | 1.135  | 28.83 | 1.1875-18           |

JAM NUT PANEL CUTOUT

| Shell Size | A Flat        |               | B Dia.        |               |
|------------|---------------|---------------|---------------|---------------|
|            | in.<br>± .002 | mm. ±<br>0.05 | in.<br>± .002 | mm.<br>± 0.05 |
| 5          | .356          | 9.04          | .385          | 9.78          |
| 6          | .416          | 10.57         | .447          | 11.35         |
| 7          | .542          | 13.77         | .572          | 14.53         |
| 8          | .542          | 13.77         | .572          | 14.53         |
| 9          | .602          | 15.29         | .635          | 16.13         |
| 10         | .666          | 16.62         | .697          | 17.70         |
| 13         | .851          | 21.62         | .885          | 22.48         |
| 16         | 1.028         | 26.11         | 1.075         | 27.31         |
| 17         | 1.102         | 27.99         | 1.135         | 28.83         |
| 21         | 1.354         | 34.39         | 1.385         | 35.18         |





| Shell Size | A     |       | B BSC |       | C Dia. |       | D Dia.     |           | E Thread          | F Dia. |       | G Thread UNEF-2A |
|------------|-------|-------|-------|-------|--------|-------|------------|-----------|-------------------|--------|-------|------------------|
|            | in.   | mm.   | in.   | mm.   | in.    | mm.   | in. ± .003 | mm. ± .08 |                   | in.    | mm.   |                  |
| 5          | .530  | 13.46 | .363  | 9.22  | .680   | 17.27 | .093       | 2.36      | .3125-.05P-.1L-2A | .245   | 6.22  | .2500-32         |
| 6          | .590  | 14.99 | .423  | 10.74 | .750   | 19.05 | .093       | 2.36      | .3750-.05P-.1L-2A | .290   | 7.37  | .3125-32         |
| 7          | .650  | 16.51 | .483  | 12.27 | .850   | 21.59 | .093       | 2.36      | .4375-.05P-.1L-2A | .390   | 9.91  | .4375-28         |
| 8          | .712  | 18.08 | .545  | 13.84 | .940   | 23.88 | .093       | 2.36      | .5000-.05P-.1L-2A | .445   | 11.30 | .5000-28         |
| 9          | .850  | 21.59 | .607  | 15.42 | 1.125  | 28.58 | .128       | 3.25      | .5625-.05P-.1L-2A | .500   | 12.70 | .5625-24         |
| 10         | .890  | 22.61 | .670  | 17.02 | 1.190  | 30.23 | .128       | 3.25      | .6250-.05P-.1L-2A | .560   | 14.22 | .6250-24         |
| 13         | 1.030 | 26.16 | .812  | 20.62 | 1.375  | 34.93 | .128       | 3.25      | .8125-.1P-.2L-2A  | .650   | 16.51 | .6875-24         |
| 16         | 1.219 | 30.96 | .981  | 24.92 | 1.625  | 41.28 | .128       | 3.25      | 1.0000-.1P-.2L-2A | .805   | 20.45 | .9375-20         |
| 17         | 1.280 | 32.51 | 1.060 | 26.92 | 1.700  | 43.18 | .128       | 3.25      | 1.0625-.1P-.2L-2A | .850   | 21.59 | .9375-20         |
| 21         | 1.430 | 36.32 | 1.205 | 30.61 | 1.940  | 49.28 | .128       | 3.25      | 1.3125-.1P-.2L-2A | 1.135  | 28.83 | 1.1875-18        |

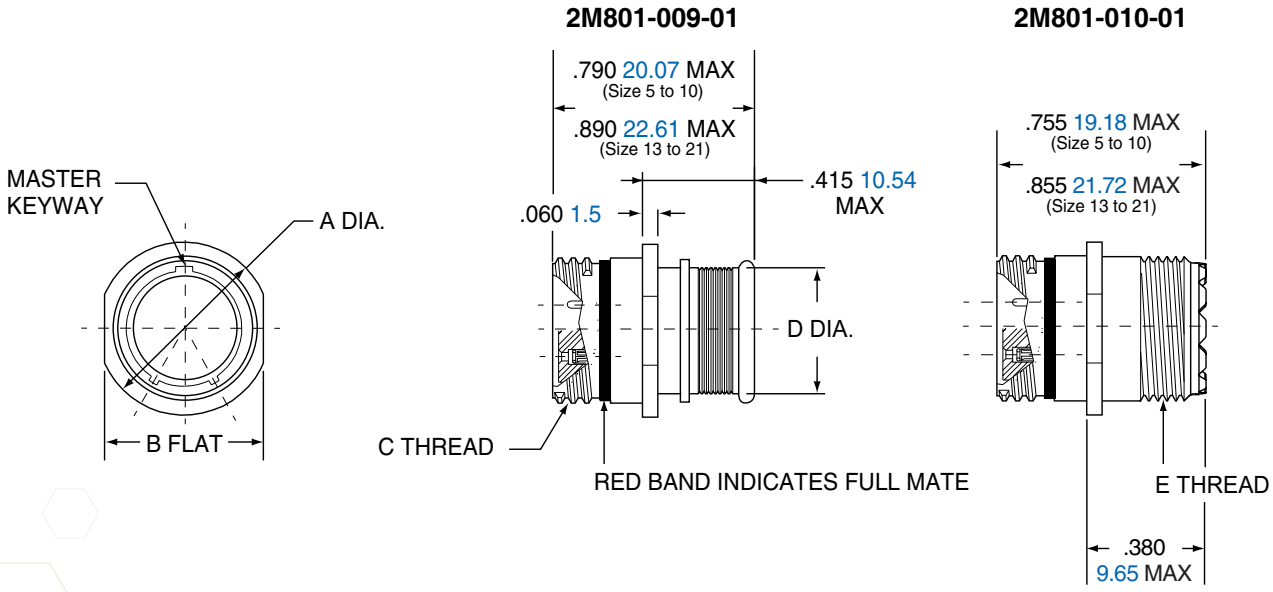
PANEL CUTOUT

| Shell Size | A Dia. |       | B Dia. |       | C Dia. |      |
|------------|--------|-------|--------|-------|--------|------|
|            | in.    | mm.   | in.    | mm.   | in.    | mm.  |
| 5          | .330   | 8.38  | .363   | 9.22  | .093   | 2.36 |
| 6          | .390   | 9.91  | .423   | 10.74 | .093   | 2.36 |
| 7          | .450   | 11.43 | .483   | 12.27 | .093   | 2.36 |
| 8          | .510   | 12.95 | .545   | 13.84 | .093   | 2.36 |
| 9          | .575   | 14.61 | .607   | 15.42 | .128   | 3.25 |
| 10         | .640   | 16.26 | .670   | 17.02 | .128   | 3.25 |
| 13         | .825   | 20.96 | .812   | 20.65 | .128   | 3.25 |
| 16         | 1.015  | 25.78 | .981   | 24.92 | .128   | 3.25 |
| 17         | 1.075  | 27.31 | 1.060  | 26.92 | .128   | 3.25 |
| 21         | 1.325  | 33.66 | 1.205  | 30.61 | .128   | 3.25 |

# 2M801 Dual-Start ACME Threads In-Line



2M801-009-01 and 2M801-010-01



| Shell Size | A Dia. |       | B Flat |       | C Thread          | D Dia. |       | E Thread<br>UNEF-2A |
|------------|--------|-------|--------|-------|-------------------|--------|-------|---------------------|
|            | in.    | mm.   | in.    | mm.   |                   | in.    | mm.   |                     |
| 5          | .355   | 9.02  | .325   | 8.13  | .3125-.05P-.1L-2A | .245   | 6.22  | .2500-32            |
| 6          | .415   | 10.54 | .385   | 9.78  | .3750-.05P-.1L-2A | .290   | 7.37  | .3125-32            |
| 7          | .480   | 12.19 | .445   | 11.30 | .4375-.05P-.1L-2A | .390   | 9.91  | .4375-28            |
| 8          | .540   | 13.72 | .510   | 12.95 | .5000-.05P-.1L-2A | .445   | 11.30 | .5000-28            |
| 9          | .605   | 15.37 | .575   | 14.61 | .5625-.05P-.1L-2A | .500   | 12.70 | .5625-24            |
| 10         | .665   | 16.89 | .635   | 16.13 | .6250-.05P-.1L-2A | .560   | 14.22 | .6250-24            |
| 13         | .855   | 21.72 | .825   | 20.96 | .8125-.1P-.2L-2A  | .650   | 16.51 | .6875-24            |
| 16         | 1.040  | 26.42 | 1.010  | 25.65 | 1.0000-.1P-.2L-2A | .805   | 20.44 | .9375-20            |
| 17         | 1.110  | 28.19 | 1.070  | 27.18 | 1.0625-.1P-.2L-2A | .850   | 21.59 | .9375-20            |
| 21         | 1.405  | 35.69 | 1.385  | 35.18 | 1.3125-.1P-.2L-2A | 1.135  | 28.83 | 1.1875-18           |

- Contacts & Tools
- 2M Specs
- 2M801**
- 2M803
- 2M804
- 2M805
- 2M Filter & Accessories
- HD38999
- Micro-D
- Terrapin
- Nexus

## X-ON Electronics

Largest Supplier of Electrical and Electronic Components

*Click to view similar products for [amphenol manufacturer](#):*

Other Similar products are found below :

[10-507142-843](#) [GTS02R20-15P-025-116](#) [ACC02E28-51S-003-B30-LC](#) [TV06RL-13-35SD-LC](#) [TV06RL-13-35SD](#) [TV06RL-13-98SD-LC](#)  
[TV06RL-13-98SD](#) [TVP00RW-23-53AD](#) [100-007-213-002-001](#) [TV06RW-25-90AE](#) [97-3108B16S-5PW-417](#) [PT06J20-24SW](#) [97-3108B16S-4PY-417](#) [97-3108B16S-4PX-417](#) [97-3108B16S-5PY-417](#) [97-3108B16S-4PW-417](#) [CS-DSDMDB37MF-025](#) [97-3108B16S-5PZ-417](#)  
[TV06RW-25-46AE](#) [TVS07RF-21-16AA](#) [TVS07RF-21-39BA](#) [GTC02R32-17S-025-RDS](#) [GTC06-22-13SW](#) [GTC06-22-13SX-025-B30](#)  
[GTC06-22-13SW-025-B30](#) [GTC06-22-13SW-025-B30-LC](#) [GTC06-22-13SX-025-LC](#) [GTC06-22-13SY-025-B30-LC](#) [GTC06-22-13SY-025-LC](#) [97-3101A20-21P-958](#) [97-3106A18-3PX-958](#) [97-3106A18-3PY-958](#) [GTC06-36-7S-LC](#) [GTS08-36-22PZ-025-B30](#) [CTV07RW-11-99AD](#)  
[PT00SP2241P](#) [GTS01-16-10S-116](#) [TVS07RF-25-43AB](#) [GTS030A20-4S-025-116](#) [GTS030A20-4SW-025-116](#) [GTS030A20-4SX-025-116](#)  
[LJT06RT-15-35PB\(023\)](#) [LJT06RT-15-68PB-023](#) [GTS030A20-4SY-025-116](#) [JTP02RE-16-55P\(023\)](#) [TVS07RF-21-11BA](#) [PT06A14-4S-005](#)  
[TVS06RF-17-99BD](#) [97-3106A-22-9S\(621\)](#) [GTC06-22-13S-025-B30-LC](#)