

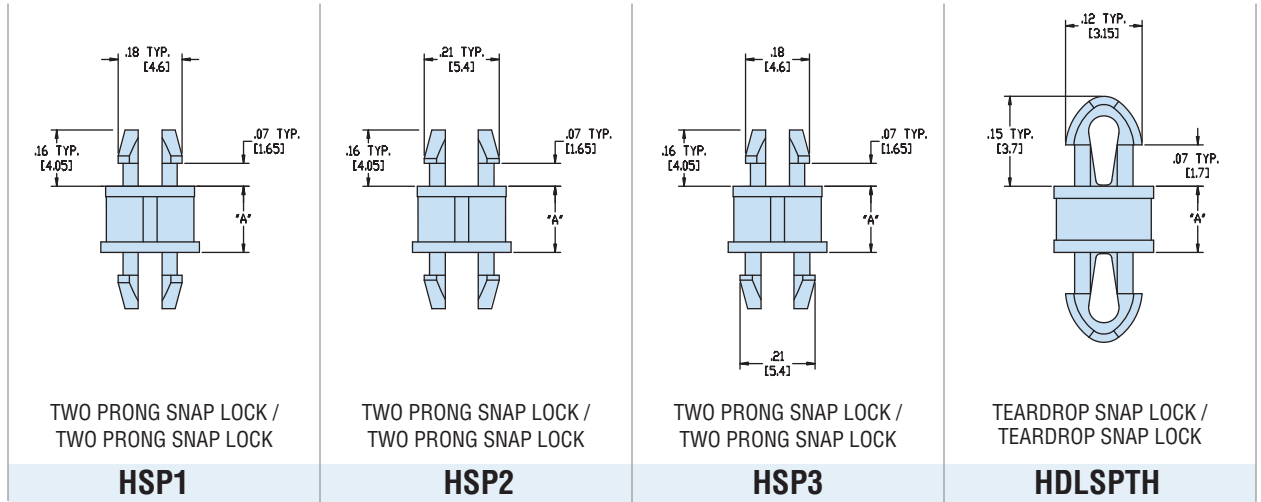
“Stay Connected” with



HEYware Products

a PennEngineering® Company

Heyco® Nylon PCB Supports - Imperial Spacing



	Maximum Thickness		Mounting Hole Diameter		Maximum Thickness		Mounting Hole Diameter		Maximum Thickness		Mounting Hole Diameter		Maximum Thickness		Mounting Hole Diameter	
	in.	mm.	in.	mm.	in.	mm.	in.	mm.	in.	mm.	in.	mm.	in.	mm.	in.	mm.
PCB	.062	1,6	.157	4,0	.062	1,6	.187	4,8	.062	1,6	.157	4,0	.062	1,6	.098	2,5
Chassis	.062	1,6	.157	4,0	.062	1,6	.187	4,8	.062	1,6	.187	4,8	.062	1,6	.098	2,5

A		PART NO. Natural	DESCRIPTION	PART NO. Natural	DESCRIPTION	PART NO. Natural	DESCRIPTION	PART NO. Natural	DESCRIPTION	
in.	mm.									
.063	1,6								10036	HDLSPTH-01
.125	3,2								10037	HDLSPTH-02
.187	4,8	10000	HSP1-03	10012	HSP2-03	10024	HSP3-03	10038	HDLSPTH-03	
.250	6,4	10001	HSP1-04	10013	HSP2-04	10025	HSP3-04	10039	HDLSPTH-04	
.312	7,9	10002	HSP1-05	10014	HSP2-05	10026	HSP3-05	10040	HDLSPTH-05	
.375	9,5	10003	HSP1-06	10015	HSP2-06	10027	HSP3-06	10041	HDLSPTH-06	
.437	11,1	10004	HSP1-07	10016	HSP2-07	10028	HSP3-07	10042	HDLSPTH-07	
.500	12,7	10005	HSP1-08	10017	HSP2-08	10029	HSP3-08	10043	HDLSPTH-08	
.562	14,3	10006	HSP1-09	10018	HSP2-09	10030	HSP3-09	10044	HDLSPTH-09	
.625	15,9	10007	HSP1-10	10019	HSP2-10	10031	HSP3-10	10045	HDLSPTH-10	
.750	19,1	10008	HSP1-12	10020	HSP2-12	10032	HSP3-12			
.875	22,2	10009	HSP1-14	10021	HSP2-14	10033	HSP3-14	10046	HDLSPTH-14	
1.000	25,4	10010	HSP1-16	10022	HSP2-16	10034	HSP3-16			

Standard color natural. For special order parts in UL 94V-0 natural material, add the suffix “F” to Part No.

Quick
Specs

Material Nylon 6/6
 Flammability Rating 94V-2
 Temperature Range -40°F (-40°C) to 185°F (85°C)

X-ON Electronics

Largest Supplier of Electrical and Electronic Components

Click to view similar products for [Circuit Board Hardware - PCB category](#):

Click to view products by [Heyco manufacturer](#):

Other Similar products are found below :

[8919-0-00-15-00-00-03-0](#) [0132-0-15-01-30-27-04-0](#) [0135-0-15-01-30-27-04-0](#) [5970-1-15-01-32-14-04-0](#) [0132-0-15-15-30-27-04-0](#) [0135-0-15-15-30-27-04-0](#) [0149-0-15-15-30-27-04-0](#) [MBI 1 BLUE](#) [7305-0-15-15-47-14-10-0](#) [MKU 1 BLACK](#) [MLN 150/1 BLACK](#) [8579-0-15-80-11-27-10-0](#) [8579-1-15-15-11-27-10-0](#) [8637-0-15-15-21-14-10-0](#) [8830-0-15-01-22-14-10-0](#) [8836-0-00-21-00-00-03-0](#) [PRUEF 2 RED](#) [9976-0-00-00-00-00-03-0](#) [1178-0-01-80-00-00-03-0](#) [PW1616](#) [1215-3-05-00-00-00-01-0](#) [1303-0-15-15-47-14-04-0](#) [1404-3](#) [1404-4](#) [1406-4](#) [1407-3](#) [1406-3](#) [1407-4](#) [1408-3](#) [1424-4](#) [1426-3](#) [1427-3](#) [1427-4](#) [1428-3](#) [1419-4](#) [1424-3](#) [1426-4](#) [1428-4](#) [MPS 1 BLACK](#) [1520150-1](#) [1548-103](#) [1801-0-15-15-30-27-04-0](#) [1938-0-00-00-00-00-03-0](#) [1942-0-00-00-00-00-03-0](#) [2101-3-00-44-00-00-07-0](#) [2104-2-01-44-00-00-07-0](#) [2108-2-00-50-00-00-07-0](#) [2108-3-00-44-00-00-07-0](#) [2109-2-00-44-00-00-07-0](#) [2110-2-00-44-00-00-07-0](#)