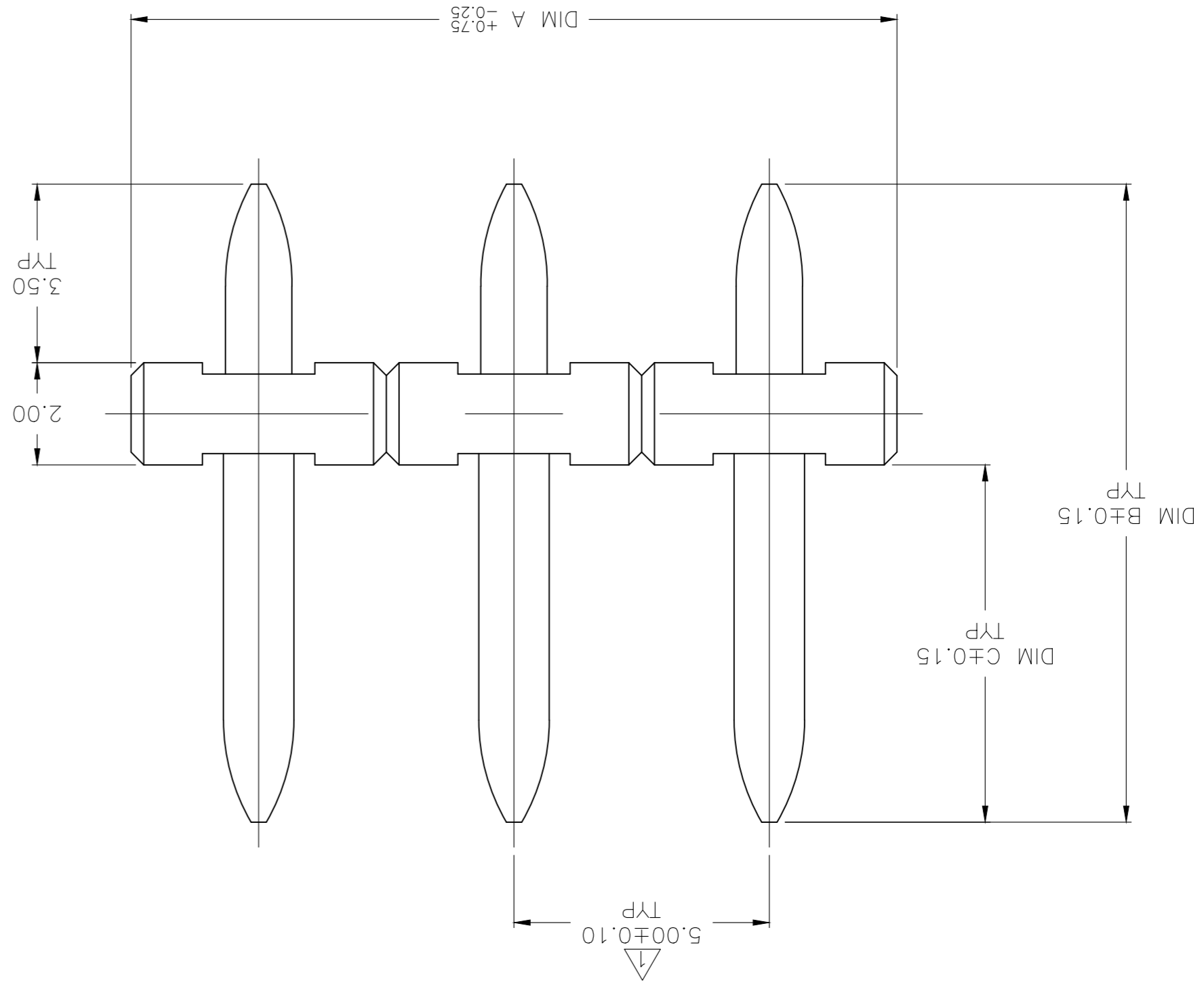


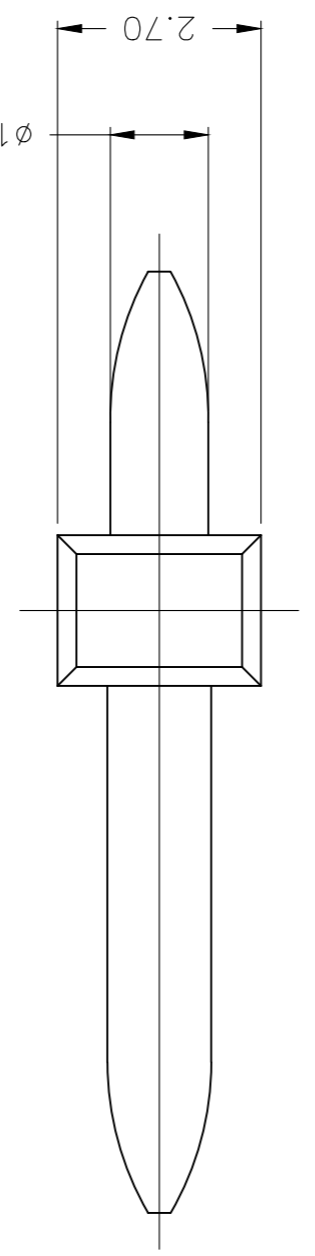
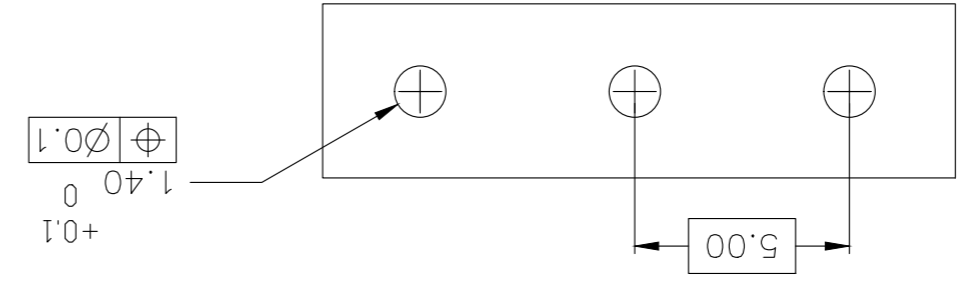
1 NON CUMULATIVE.

2. PARTS TO BE WAVE SOLDER PROCESS CAPABLE UP TO 265°C FOR 10 SECONDS MAX.

3 OBSOLETE



RECOMMENDED PC BOARD LAYOUT



THIS DRAWING IS A CONTROLLED DOCUMENT.		S SCHLEGEL 5/2/05		TE Connectivity	
DIMENSIONS: mm		C RICHARD 5/2/05		STE	
TOLERANCES UNLESS OTHERWISE SPECIFIED:		APVD		HEADER, STRAIGHT, UNSHROUDED	
0 PLC ±	1 PLC ± 0.3	PRODUCT SPEC		5.0MM PITCH	
2 PLC ± 0.25	3 PLC ±	APPLICATION SPEC		-	
4 PLC ±	FINISH	WEIGHT		RESTRICTED TO	
-		A2 00779		-	
-		CAGE CODE		-	
-		DRAWING NO		-	
-		1776489		-	
-		SCALE		-	
-		5:1		-	
-		SHEET		-	
-		1 of 1		-	
-		REV		-	
-		A1		-	

PART NUMBER	NO. OF POSN	DIM A	DIM B	DIM C
1776489-2	2	10.00(.394)	12.50	7.00
1776489-3	3	15.00(.591)	12.50	7.00
1776489-4	4	20.00(.787)	12.50	7.00
1776489-5	5	25.00(.984)	12.50	7.00
1776489-6	6	30.00(1.181)	12.50	7.00
1776489-7	7	35.00(1.378)	12.50	7.00
1776489-8	8	40.00(1.575)	12.50	7.00
1776489-9	9	45.00(1.772)	12.50	7.00
1-1776489-0	10	50.00(1.969)	12.50	7.00
1-1776489-1	11	55.00(2.165)	12.50	7.00
1-1776489-2	12	60.00(2.362)	12.50	7.00
1-1776489-3	13	65.00(2.559)	12.50	7.00
1-1776489-4	14	70.00(2.756)	12.50	7.00
1-1776489-5	15	75.00(2.953)	12.50	7.00
1-1776489-6	16	80.00(3.150)	12.50	7.00
1-1776489-7	17	85.00(3.346)	12.50	7.00
1-1776489-8	18	90.00(3.543)	12.50	7.00
1-1776489-9	19	95.00(3.740)	12.50	7.00
2-1776489-0	20	100.00(3.937)	12.50	7.00
2-1776489-1	21	105.00(4.134)	12.50	7.00
2-1776489-2	22	110.00(4.331)	12.50	7.00
2-1776489-3	23	115.00(4.528)	12.50	7.00
2-1776489-4	24	120.00(4.724)	12.50	7.00
2-1776489-7	4	20.00(.787)	44.00	38.5

- 1-1. MATERIAL:
- 1-1-1. PINS: BRASS, NICKEL AND TIN PLATED.
- 1-1-2. INSULATOR BODY: PA 6.6, UL94V-0 (STRIP ONLY)(COLOR BLUE)
- 1-2. ELECTRICAL:
- 1-2-1. CURRENT RATING: 10 AMPS/WAY MAX.
- 1-2-2. WITHSTANDING VOLTAGE: 1500 VAC/MIN.
- TEST TIME=60 SEC/1PC
- 1-2-3/ INSULATION RESISTANCE: 5000Mohm /1000V
- 1-3. MECHANICAL:
- 1-3-1. CONTACT RETENTION FORCE: 3 KG/CM (MIN).
- 1-3-2. OPERATING TEMPERATURE: -55°C TO +105°C.
- 1-3-3. SOLDERABILITY: 95% COVERAGE (MIN)
- TEST TEMPERATURE= 230°C±10°C
- TEST TIME= 3SEC ± 0.5SEC.

REVISIONS	P	LTR	DESCRIPTION	DATE	DMN	APVD
1	A1		P/N 2-1776489-7 ADDED	16JAN2018	RK	PS

## X-ON Electronics

Largest Supplier of Electrical and Electronic Components

*Click to view similar products for [Pluggable Terminal Blocks](#) category:*

*Click to view products by [TE Connectivity](#) manufacturer:*

Other Similar products are found below :

[57.404.7553](#) [57.504.0053.7](#) [57.510.0053](#) [57.910.6153](#) [01.112.1453](#) [CTB932VE/6](#) [MC 1.5/ 6-ST-3.5 GY AU](#) [ET02015000J0G](#) [734-104](#) [734-302](#) [734-304](#) [8-141-P](#) [FKCT 2.5/ 3-ST KMGY](#) [860505](#) [860508](#) [860516](#) [860810](#) [861908](#) [GBPACX-12](#) [93.731.4953.0](#) [PV05-5,08-K](#) [PVP02-5,00](#) [PVP04-3,50](#) [PVS02-5,00](#) [1-1986160-3](#) [H-10](#) [1546228-5](#) [ELFP03110](#) [ELVP03100](#) [ELXH03100](#) [ELXP041G0](#) [ELXT046G0](#) [1700101](#) [1700410](#) [1700425](#) [1703176](#) [1703243](#) [1705229](#) [1710175](#) [1714537](#) [1717806](#) [1719600](#) [1728941](#) [1729386](#) [1734692](#) [1734795](#) [1736036](#) [1740194](#) [1740291](#) [1740628](#)