

4

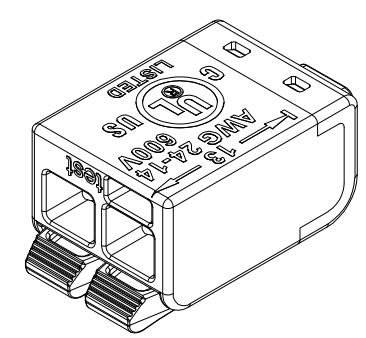
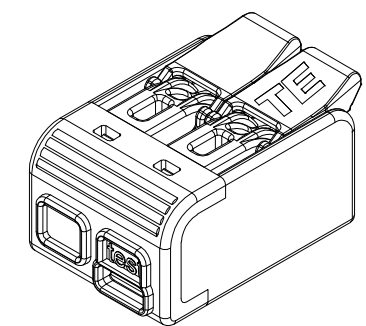
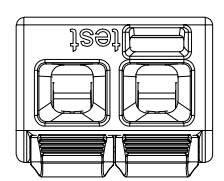
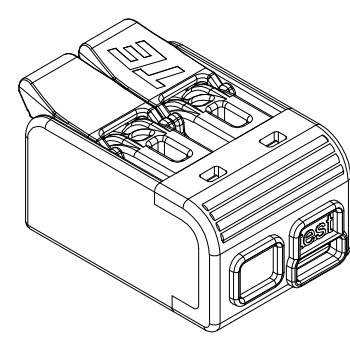
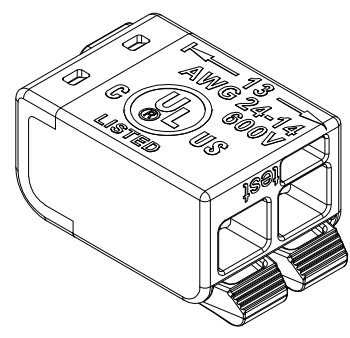
3

2

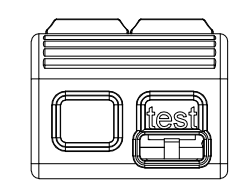
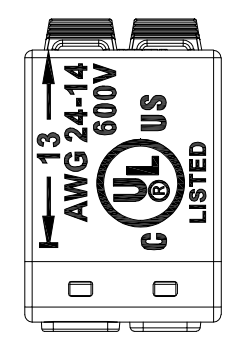
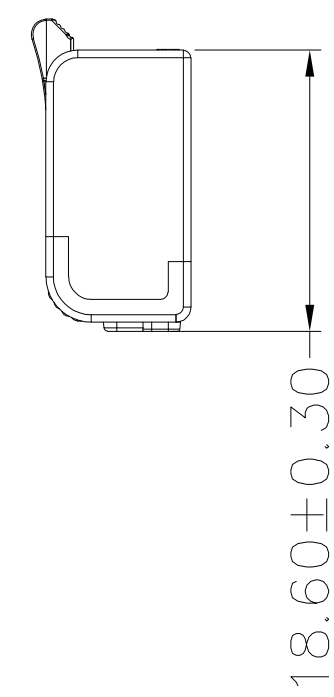
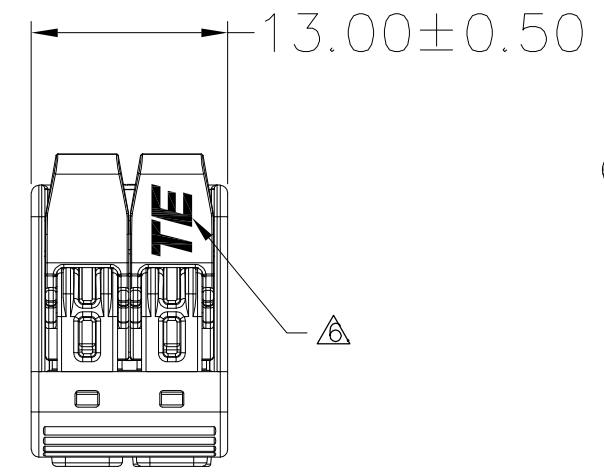
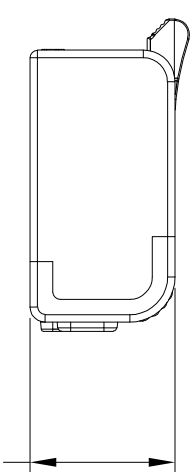
1

THIS DRAWING IS UNPUBLISHED. RELEASED FOR PUBLICATION - , - .
 © COPYRIGHT - By - ALL RIGHTS RESERVED.

REVISIONS					
P	LTR	DESCRIPTION	DATE	DWN	APVD
	A	INITIAL RELEASE	8FEB2017	Z.W	X.X
	B	ECR-17-009683	16JUN2017	Z.W	S.M


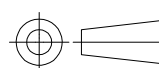


9.60±0.50



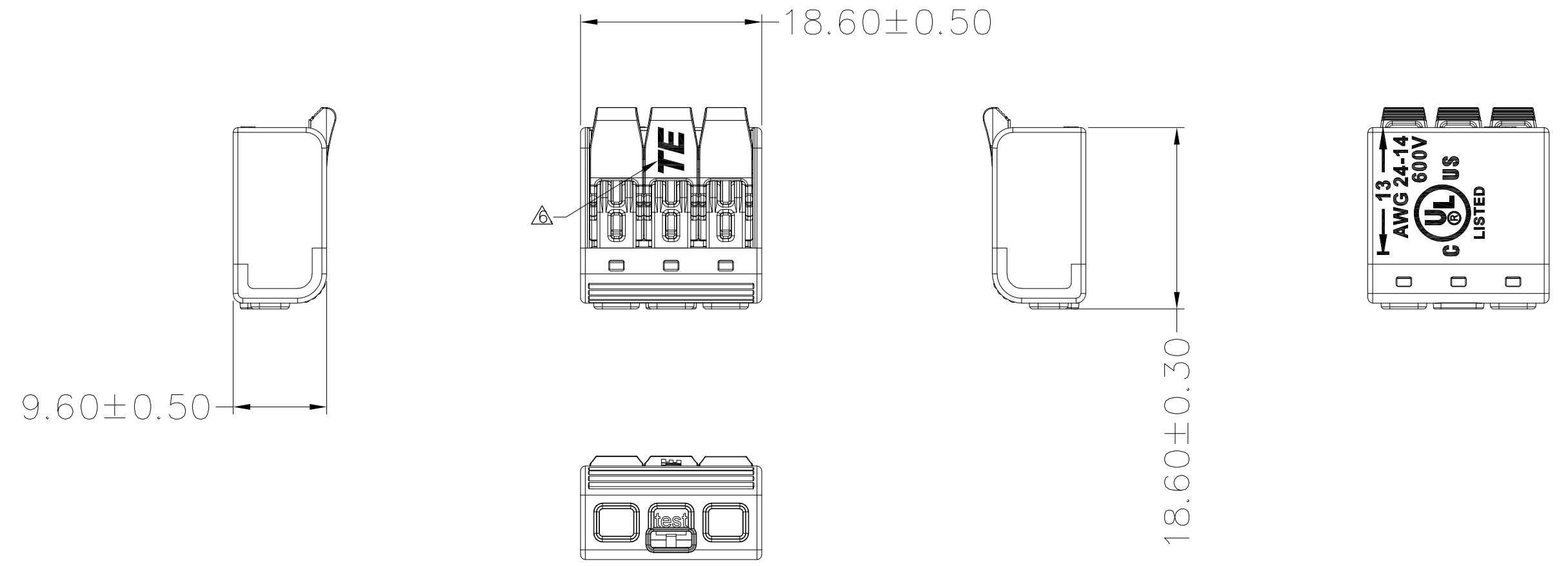
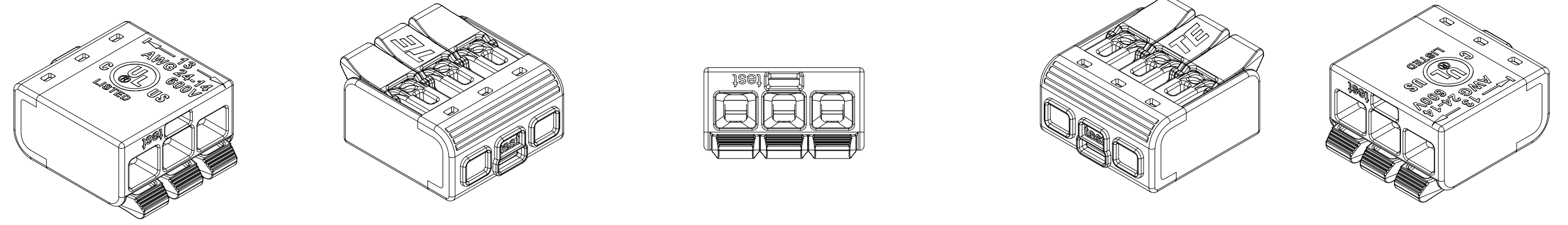
NOTE:
 1. PART NUMBER: SEE TABLE.
 2. MATERIAL:
 HOUSING: THERMALPLASTIC UL94-V2.
 CONTACT: BRASS & STAINLESS STEEL SPRING.
 3. FINISH
 TERMINAL: TIN PLATED BRASS.
 4. PACKAGING: PLASTIC BAG.
 5. APPLICABLE WIRE:
 VDE: 0.2-4.0MM² SOLID & STRAND WIRE.
 UL: 24-14AWG SOLID & STRAND WIRE.
 △ LOGO MARK APPROXIMATION LOCATION.

2-2834245-1	GREEN
PART NUMBER	PART COLOR

THIS DRAWING IS A CONTROLLED DOCUMENT.		DWN	ZHANG WEI	20FEB2017	 TE Connectivity				
DIMENSIONS: mm		CHK	SHI MING	20FEB2017				NAME	
		APVD	XU XIANG	20FEB2017				SPlicing WIRE CONNECTOR	
		PRODUCT SPEC		108-137271				SIZE	CAGE CODE
MATERIAL		FINISH		114-137271		A3	00779	C-2834245	-
				WEIGHT		2.25g		CUSTOMER DRAWING	
						SCALE		2:1	
						SHEET		1 OF 4	
								REV	
								B	

THIS DRAWING IS UNPUBLISHED. RELEASED FOR PUBLICATION
 © COPYRIGHT - By - ALL RIGHTS RESERVED.

REVISIONS					
P	LTR	DESCRIPTION	DATE	DWN	APVD
-	-	SEE SHEET 1	-	-	-



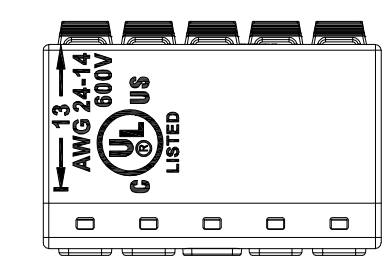
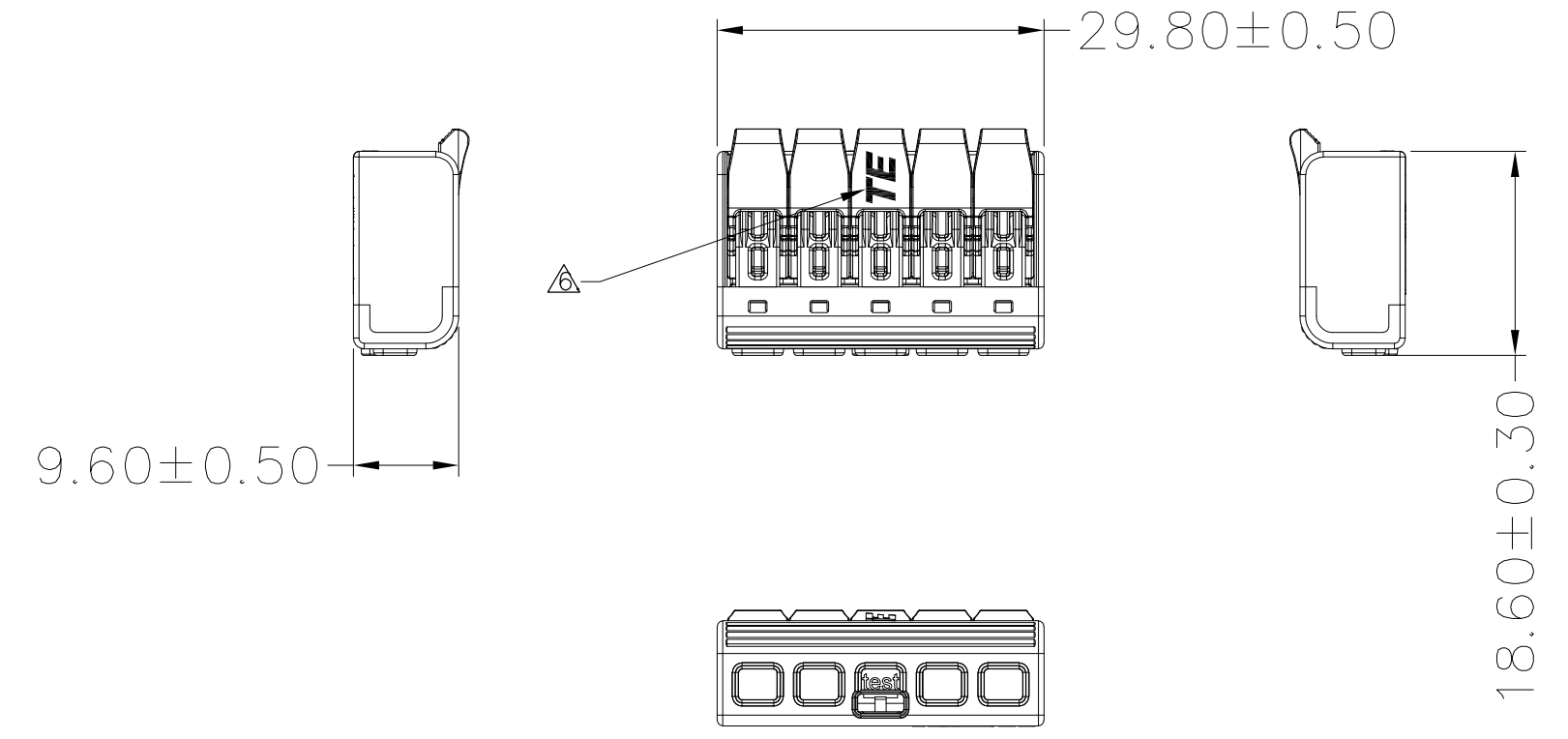
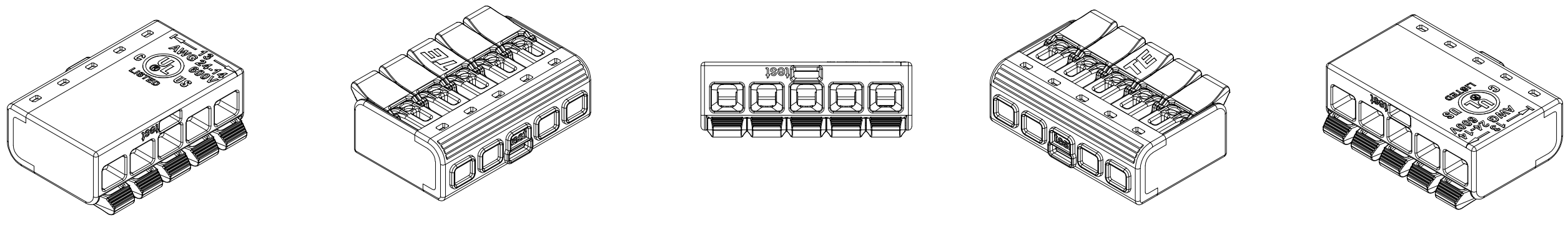
- NOTE:
- PART NUMBER: SEE TABLE.
 - MATERIAL:
HOUSING: THERMALPLASTIC UL94-V2.
CONTACT: BRASS & STAINLESS STEEL SPRING.
 - FINISH
TERMINAL: TIN PLATED BRASS.
 - PACKAGING: PLASTIC BAG.
 - APPLICABLE WIRE:
VDE: 0.2-4.0MM² SOLID & STRAND WIRE.
UL: 24-14AWG SOLID & STRAND WIRE.
- △ LOGO MARK APPROXIMATION LOCATION.

3-2834245-1	GREEN
PART NUMBER	PART COLOR

THIS DRAWING IS A CONTROLLED DOCUMENT.		DWN ZHANG WEI 20FEB2017		TE Connectivity													
DIMENSIONS: mm		CHK SHI MING 20FEB2017															
TOLERANCES UNLESS OTHERWISE SPECIFIED:		APVD XU XIANG 20FEB2017		NAME													
<table border="1"> <tr><td>0 PLC</td><td>± 1</td></tr> <tr><td>1 PLC</td><td>± 1</td></tr> <tr><td>2 PLC</td><td>± 1</td></tr> <tr><td>3 PLC</td><td>± 1</td></tr> <tr><td>4 PLC</td><td>± 1</td></tr> <tr><td>ANGLES</td><td>± 5</td></tr> </table>		0 PLC	± 1	1 PLC	± 1	2 PLC	± 1	3 PLC	± 1	4 PLC	± 1	ANGLES	± 5	PRODUCT SPEC		SPlicing WIRE CONNECTOR	
0 PLC	± 1																
1 PLC	± 1																
2 PLC	± 1																
3 PLC	± 1																
4 PLC	± 1																
ANGLES	± 5																
MATERIAL		APPLICATION SPEC		RESTRICTED TO													
FINISH		108-137271		-													
-		114-137271		-													
-		WEIGHT 3.28g		SIZE	CAGE CODE												
-		CUSTOMER DRAWING		A3	00779												
-		SCALE 2:1		DRAWING NO	G-2834245												
-		SHEET 2 OF 4		REV B													


THIS DRAWING IS UNPUBLISHED. RELEASED FOR PUBLICATION
 © COPYRIGHT - By - ALL RIGHTS RESERVED.

REVISIONS					
P	LTR	DESCRIPTION	DATE	DWN	APVD
-	-	SEE SHEET 1	-	-	-



- NOTE:
- PART NUMBER: SEE TABLE.
 - MATERIAL:
HOUSING: THERMALPLASTIC UL94-V2.
CONTACT: BRASS & STAINLESS STEEL SPRING.
 - FINISH
TERMINAL: TIN PLATED BRASS.
 - PACKAGING: PLASTIC BAG.
 - APPLICABLE WIRE:
VDE: 0.2-4.0MM² SOLID & STRAND WIRE.
UL: 24-14AWG SOLID & STRAND WIRE.
- △ LOGO MARK APPROXIMATION LOCATION.

5-2834245-1	GREEN
PART NUMBER	PART COLOR

THIS DRAWING IS A CONTROLLED DOCUMENT.		DWN ZHANG WEI 20FEB2017	 TE Connectivity NAME SPlicing WIRE CONNECTOR											
DIMENSIONS: mm		CHK SHI MING 20FEB2017												
TOLERANCES UNLESS OTHERWISE SPECIFIED:		APVD XU XIANG 20FEB2017												
<table border="1"> <tr> <td>0 PLC</td> <td>± 1</td> </tr> <tr> <td>1 PLC</td> <td>± 1</td> </tr> <tr> <td>2 PLC</td> <td>± 1</td> </tr> <tr> <td>3 PLC</td> <td>± 1</td> </tr> <tr> <td>4 PLC</td> <td>± 1</td> </tr> <tr> <td>ANGLES</td> <td>± 5</td> </tr> </table>		0 PLC				± 1	1 PLC	± 1	2 PLC	± 1	3 PLC	± 1	4 PLC	± 1
0 PLC	± 1													
1 PLC	± 1													
2 PLC	± 1													
3 PLC	± 1													
4 PLC	± 1													
ANGLES	± 5													
MATERIAL -		FINISH -	APPLICATION SPEC 114-137271	SIZE A3	CAGE CODE 00779	DRAWING NO C-2834245	RESTRICTED TO -							
CUSTOMER DRAWING			WEIGHT 5.22g	SCALE 2:1	SHEET 3 OF 4	REV B								

THIS DRAWING IS UNPUBLISHED.

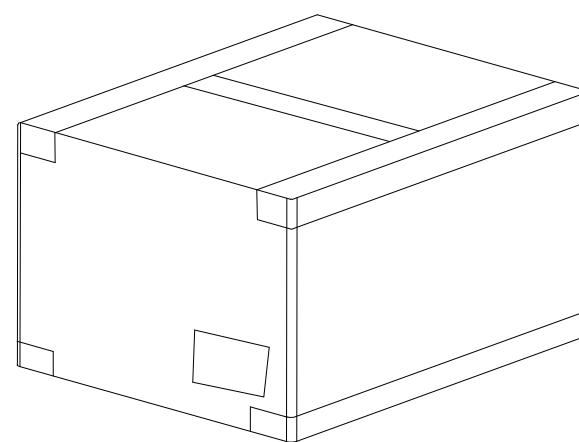
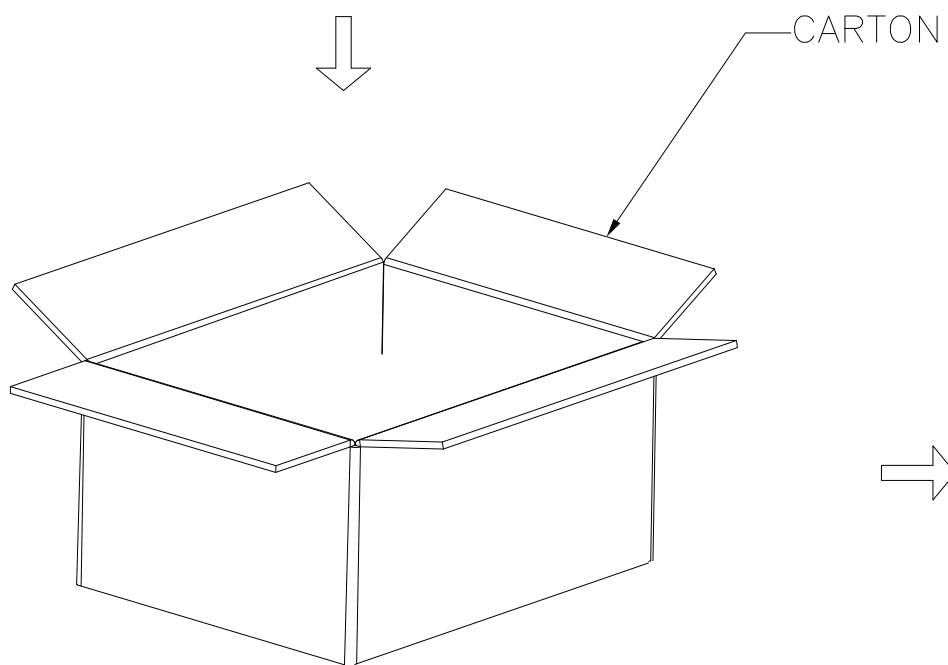
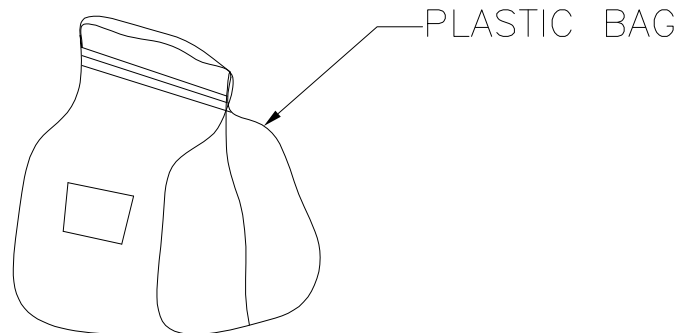
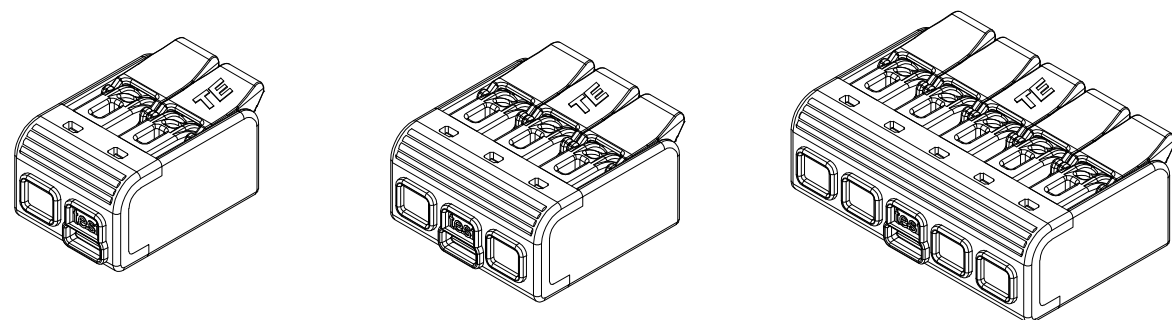
RELEASED FOR PUBLICATION

© COPYRIGHT - By -

ALL RIGHTS RESERVED.

REVISIONS

P	LTR	DESCRIPTION	DATE	DWN	APVD
-	-	SEE SHEET 1	-	-	-



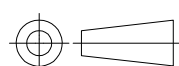
NOTE:
 1.PACKAGING QUANTITY: SEE TABLE.
 2.PACKAGING SPEC: 107-137271.

PART NUMBER	PAIRS PER BAG	BAGS PER CARTON	PAIRS PER CARTON
2-2834245-1	200	20	4000
3-2834245-1	150	20	3000
5-2834245-1	100	20	2000

THIS DRAWING IS A CONTROLLED DOCUMENT.

DIMENSIONS:

mm



TOLERANCES UNLESS OTHERWISE SPECIFIED:

0 PLC	± 1
1 PLC	± 1
2 PLC	± 1
3 PLC	± 1
4 PLC	± 1
ANGLES	± 5

MATERIAL

-

FINISH

-

DWN 20FEB2017

ZHANG WEI

CHK 20FEB2017

SHI MING

APVD 20FEB2017

XU XIANG

PRODUCT SPEC

108-137271

APPLICATION SPEC

114-137271

WEIGHT

-

STE TE Connectivity

NAME

SPlicing WIRE CONNECTOR

SIZE

CAGE CODE

DRAWING NO

RESTRICTED TO

A3

00779

C-2834245

-

CUSTOMER DRAWING

SCALE

-

SHEET

4 OF 4

REV

B

X-ON Electronics

Largest Supplier of Electrical and Electronic Components

Click to view similar products for [Terminals](#) category:

Click to view products by [TE Connectivity](#) manufacturer:

Other Similar products are found below :

[HT-13-10](#) [71M-250-32-NB](#) [01-2065-1-0216](#) [00581P0075](#) [M10-10RX](#) [M10BCK](#) [60205-1](#) [604200-1](#) [60598-1-CUT-TAPE](#) [60617-1-C](#) [60873-1](#) [M14-516R/SK](#) [M14-6RSX](#) [M18-10FLX](#) [M18-8FBX](#) [M18-8R/LX](#) [M18BCK](#) [61314-6-C](#) [61-S](#) [61-SN-A](#) [62-NBM-A](#) [63-S](#) [640179-1](#) [640917-2-CUT-TAPE](#) [6501550002](#) [66107-2-C](#) [696683-1](#) [696834-1](#) [696861-1](#) [696931-1](#) [696999-1](#) [M8-516RK](#) [M86700006](#) [MA250DMFMX-A](#) [701-2007](#) [701-2307](#) [701-7761-03](#) [70F-110-32-PB](#) [718-N-A](#) [71M-187-20-NBL](#) [71M-250-32-NBL](#) [72F-187-20-NBL](#) [72M-250-32-NBL](#) [7310](#) [73F-250-32](#) [73F-250-32-NBL](#) [73F-250-32-NL](#) [F14-10C](#) [F-1M](#) [751-250](#)